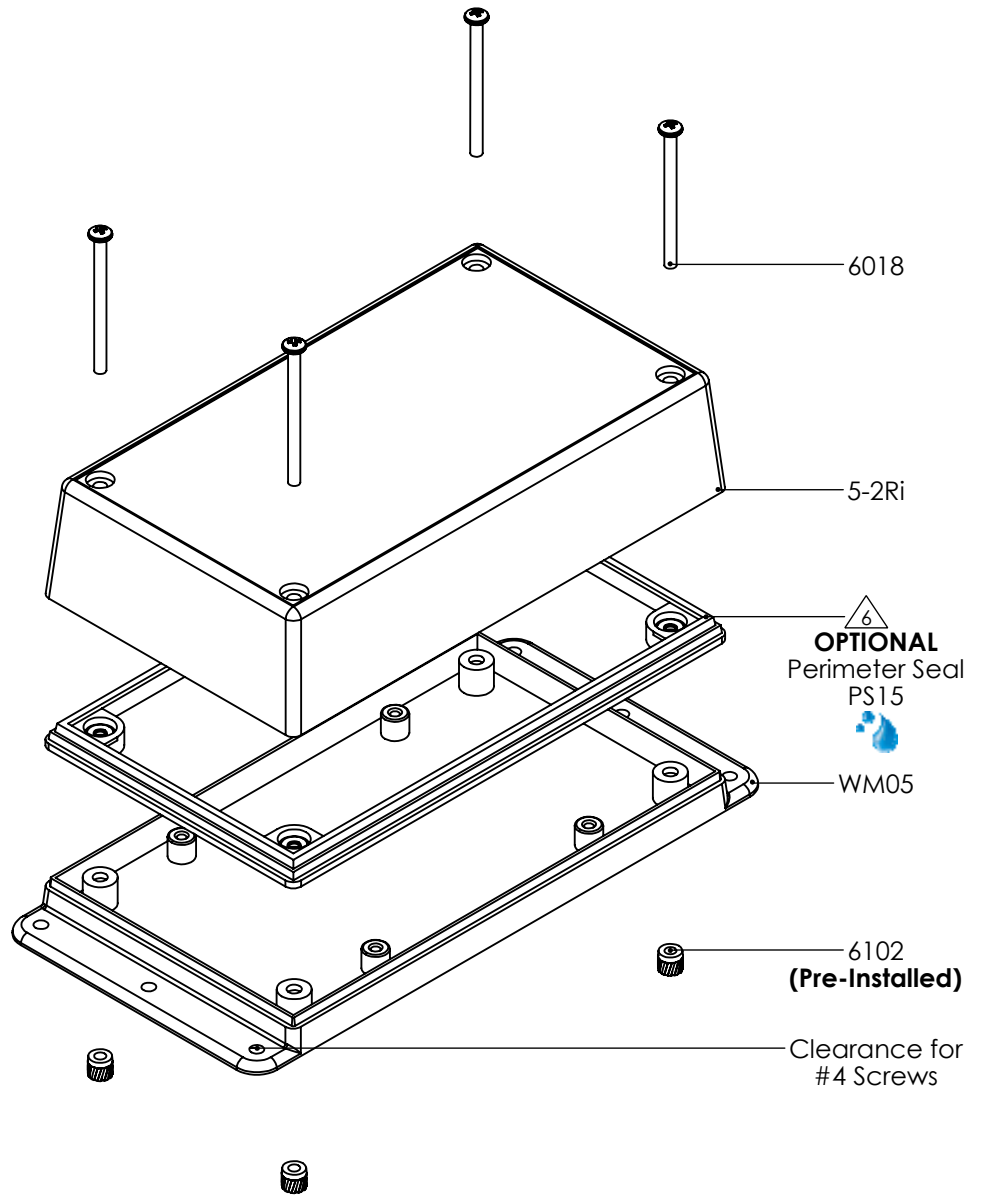
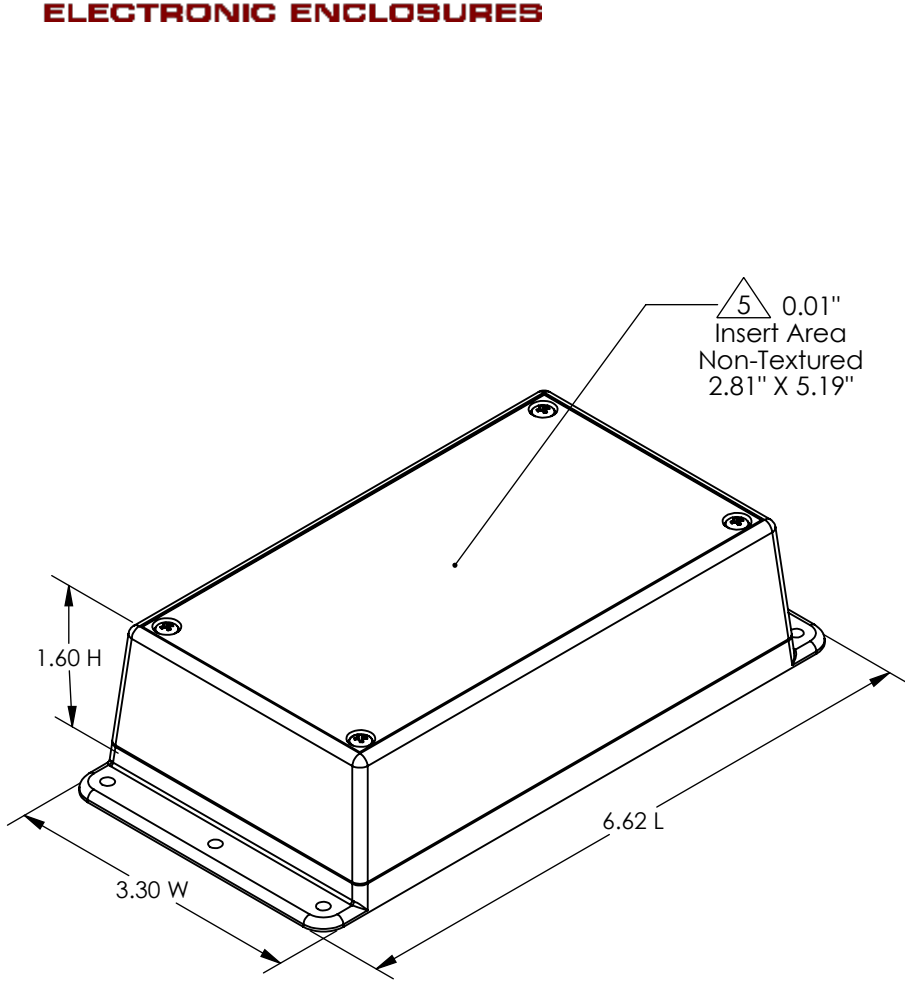


# SERPAC WM052Ri

ELECTRONIC ENCLOSURES

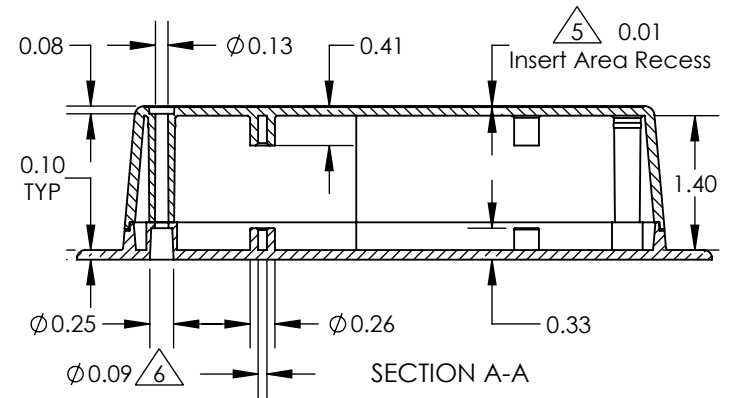
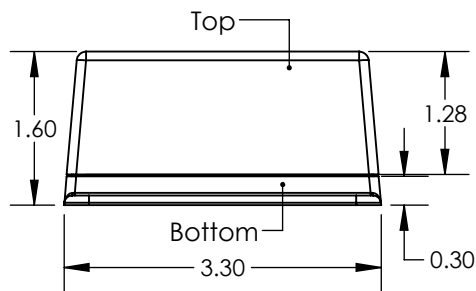
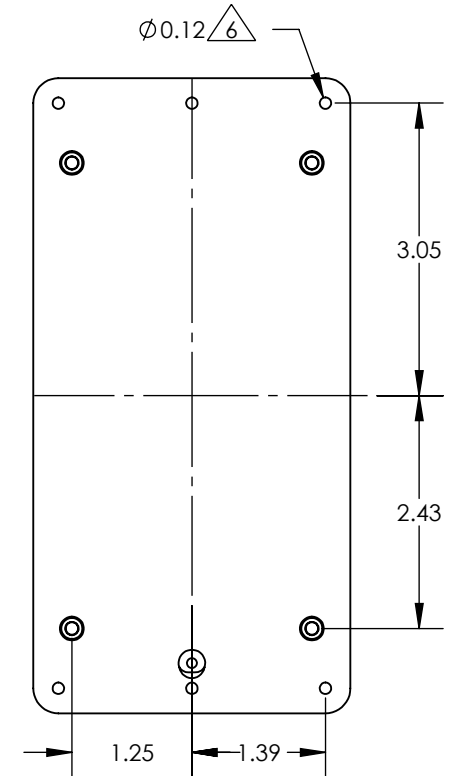
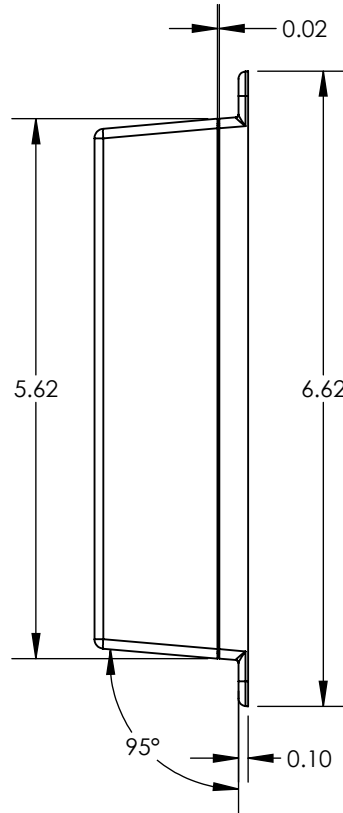
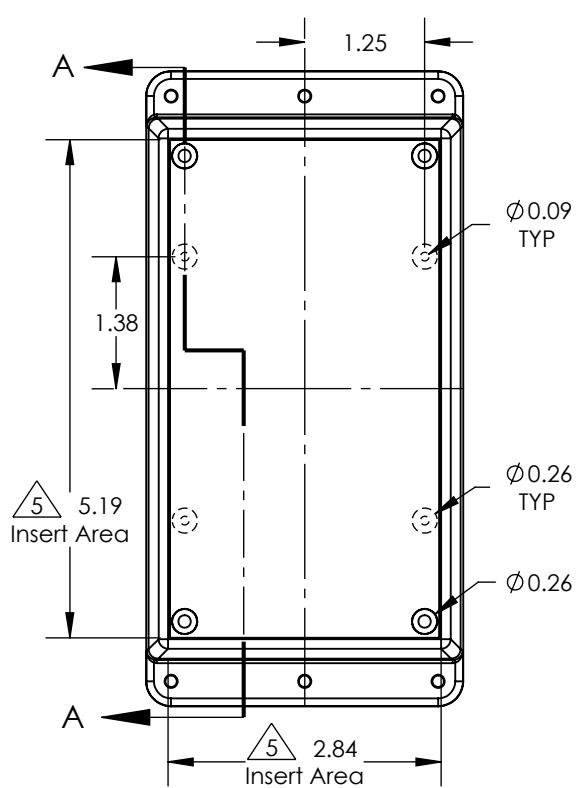


- Notes: Enclosure weight .23 lb / 107 g
- 1) Enclosure meets or exceeds IP40 and NEMA 1
  - 2) Circuit Board drawings see sheet 3.
  - 3) All components are RoHS Compliant.
  - 4) Material: Top and Bottom ABS.
  - 5) Customizable molding areas.
  - 6) When used with PS15 the enclosure meets or exceeds IP 67 and NEMA 4X, 12 and 13 MIL-STD-810G 506.5 (.02 lb / 11g)

PART NO.	DESCRIPTION (Included)	ACCESSORIES (Optional)	
5-2Ri	Top	PART NO.	DESCRIPTION
WM05	Wall Mount Bottom	PS15	Waterproof Perimeter Seal
6018	4-40 x 1 1/2" Screw (4)	1040	2AA Battery Holder
6102	4-40 Threaded Inserts (4)	60	Standoff Hole
		61	Standoff Post

# SERPAC WM052Ri

ELECTRONIC ENCLOSURES



- Notes:
- 1) Enclosure weight .23 lb / 107 g
  - 2) Enclosure meets or exceeds IP40 and NEMA 1
  - 3) Circuit Board drawings see sheet 3.
  - 4) All components are RoHS Compliant.
  - 5) Material: Top and Bottom ABS.
  - 6) Customizable molding areas. (5)
  - 7) Accepts #4 self tapping screw. (6)
  - 8) When used with PS15 the enclosure meets or exceeds IP 67 and NEMA 4X, 12 and 13 MIL-STD-810G 506.5 (.02 lb / 11g)

# SERPAC WM052Ri CIRCUIT BOARD

ELECTRONIC ENCLOSURES

## Top & Bottom Option

