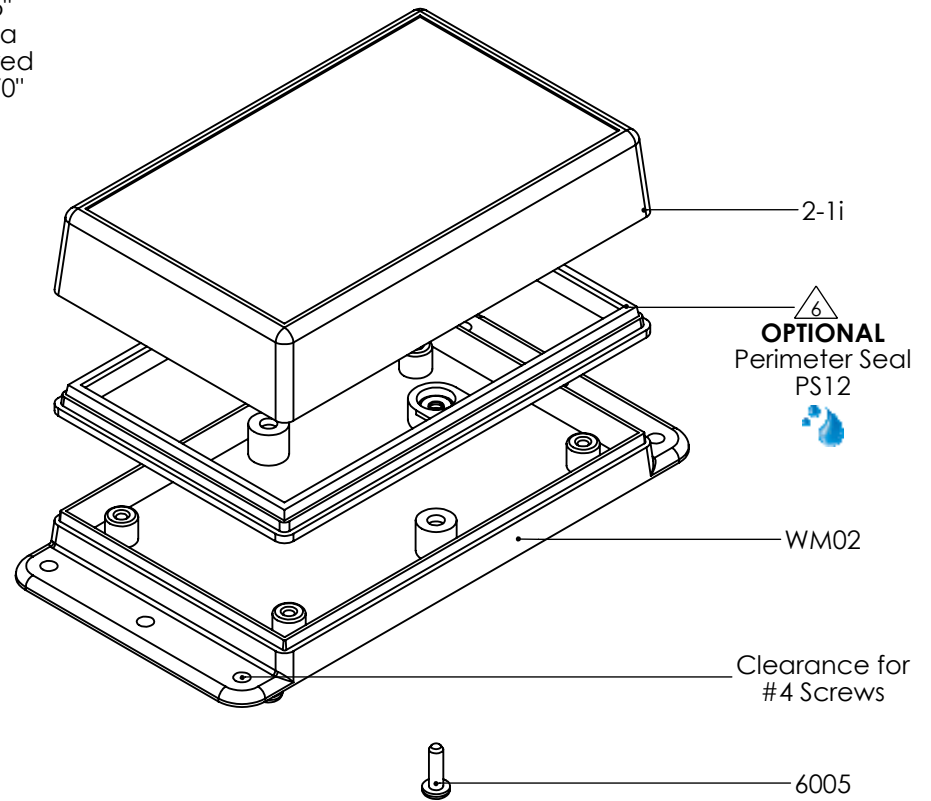
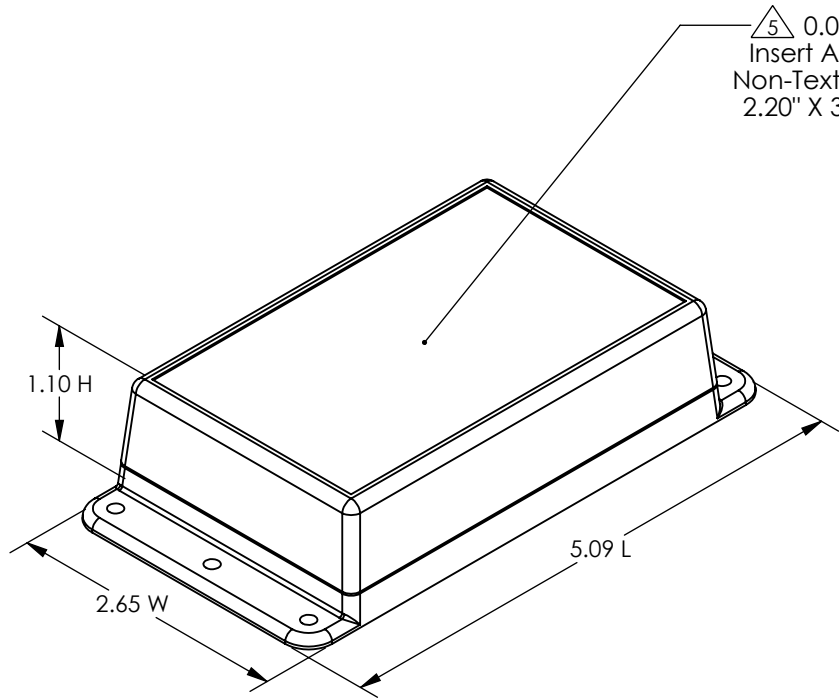


SERPAC WM021i

ELECTRONIC ENCLOSURES

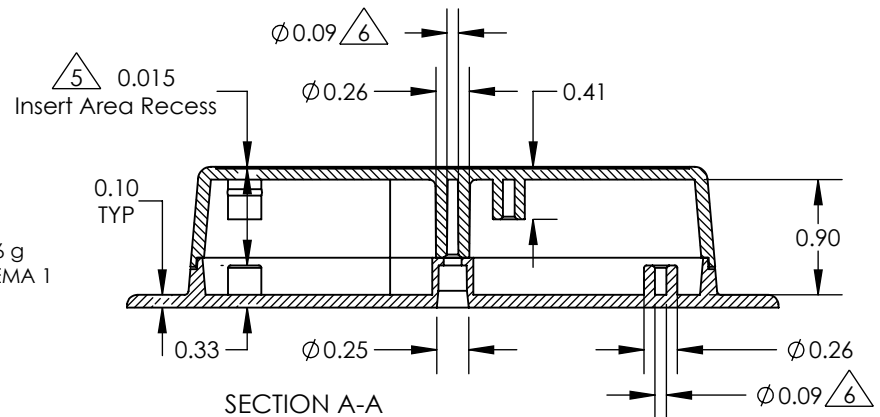
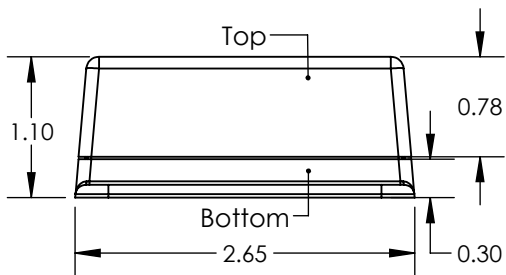
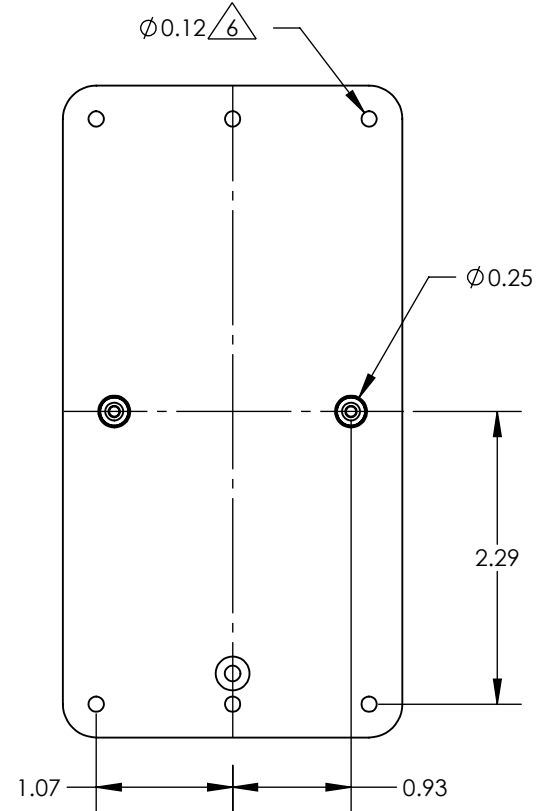
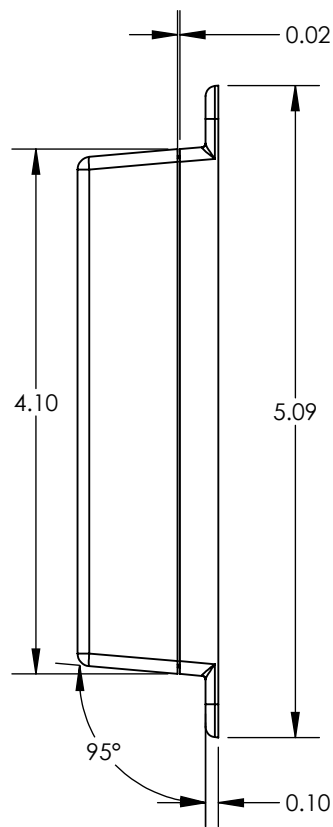
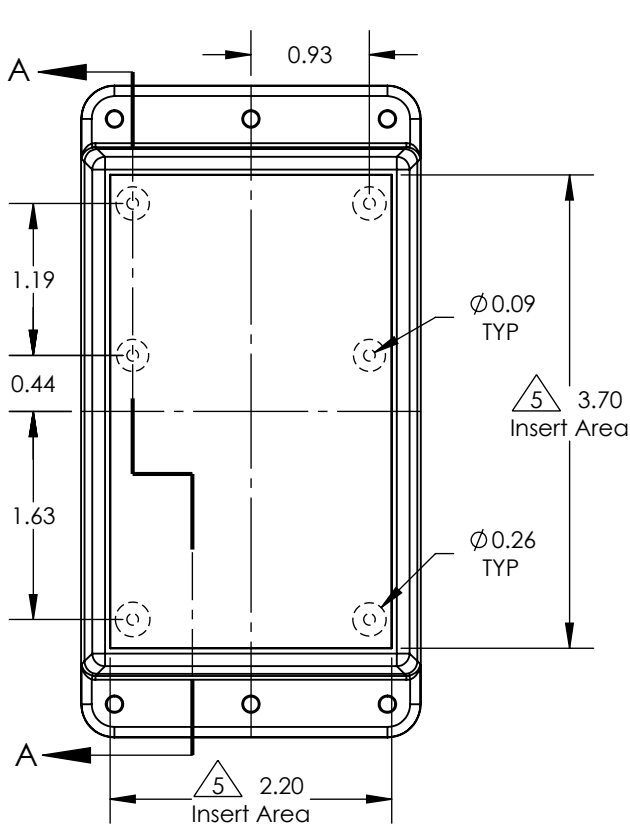


- Notes: Enclosure weight .15 lb / 66 g
- 1) Enclosure meets or exceeds IP40 and NEMA 1
 - 2) Circuit Board drawings see sheet 3.
 - 3) All components are RoHS Compliant.
 - 4) Material: Top and Bottom ABS.
 - 5) Customizable molding areas. $\triangle 5$
 - 6) When used with PS12 the enclosure meets or exceeds IP 67 and NEMA 4X, 12 and 13 MIL-STD-810G 506.5 (.02 lb / 7g) $\triangle 6$

PART NO.	DESCRIPTION (Included)	ACCESSORIES (Optional)	
2-1i	Top	PART NO.	DESCRIPTION
WM02	Wall Mounted Bottom	60	Standoff Hole
6005	#4X3/8" Self-Tapping Screw (2)	61	Standoff Post
		PS12	Waterproof Perimeter Seal

SERPAC WM021i

ELECTRONIC ENCLOSURES



- Notes:
- 1) Enclosure weight .15 lb / 66 g
 - 2) Enclosure meets or exceeds IP40 and NEMA 1
 - 3) Circuit Board drawings see sheet 3.
 - 4) All components are RoHS Compliant.
 - 5) Material: Top and Bottom ABS.
 - 6) Customizable molding areas. $\triangle 5$
 - 7) Accepts #4 self tapping screw. $\triangle 6$
 - 8) When used with PS12 the enclosure meets or exceeds IP 67 and NEMA 4X, 12 and 13 MIL-STD-810G 506.5 (.02 lb / 7g)

SERPAC WM021i CIRCUIT BOARD

ELECTRONIC ENCLOSURES

Top & Bottom Option

