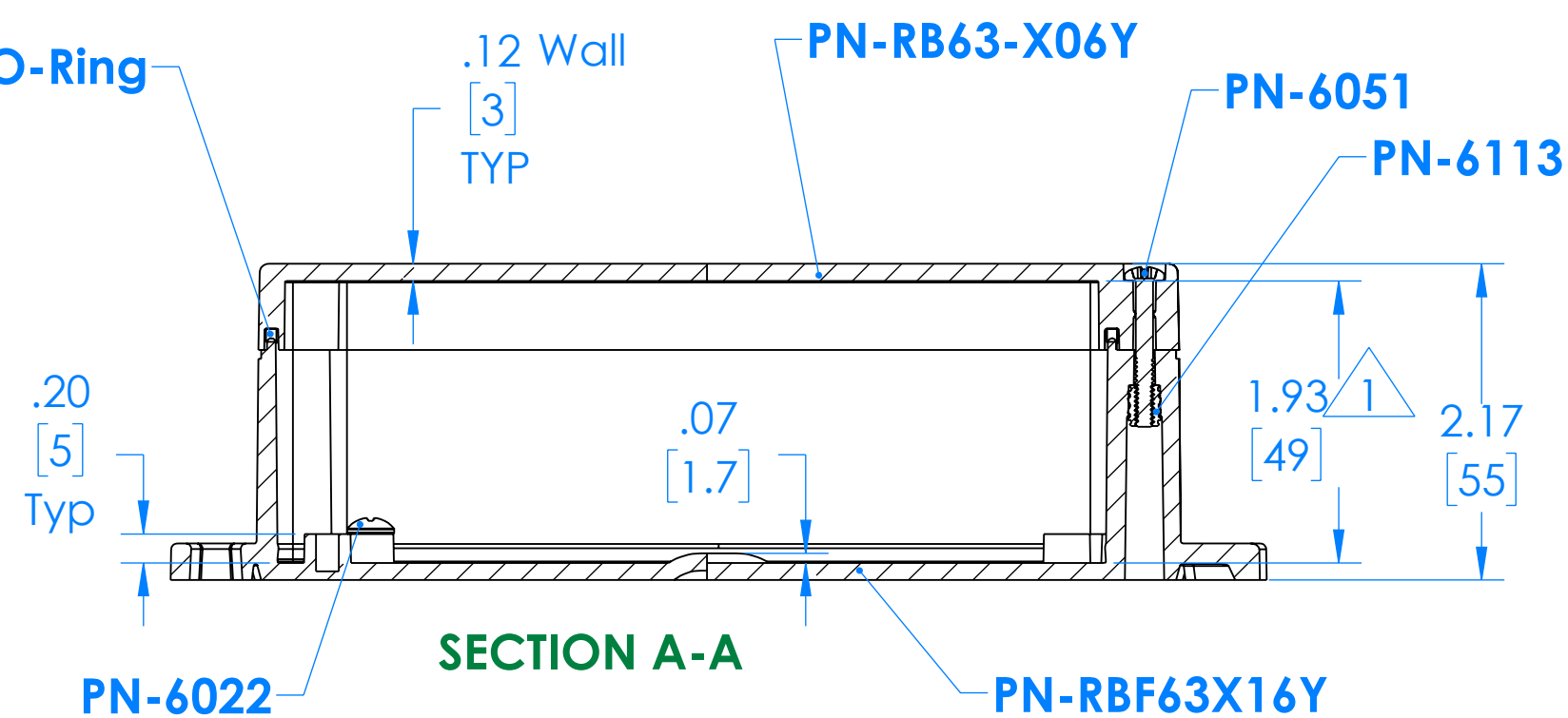
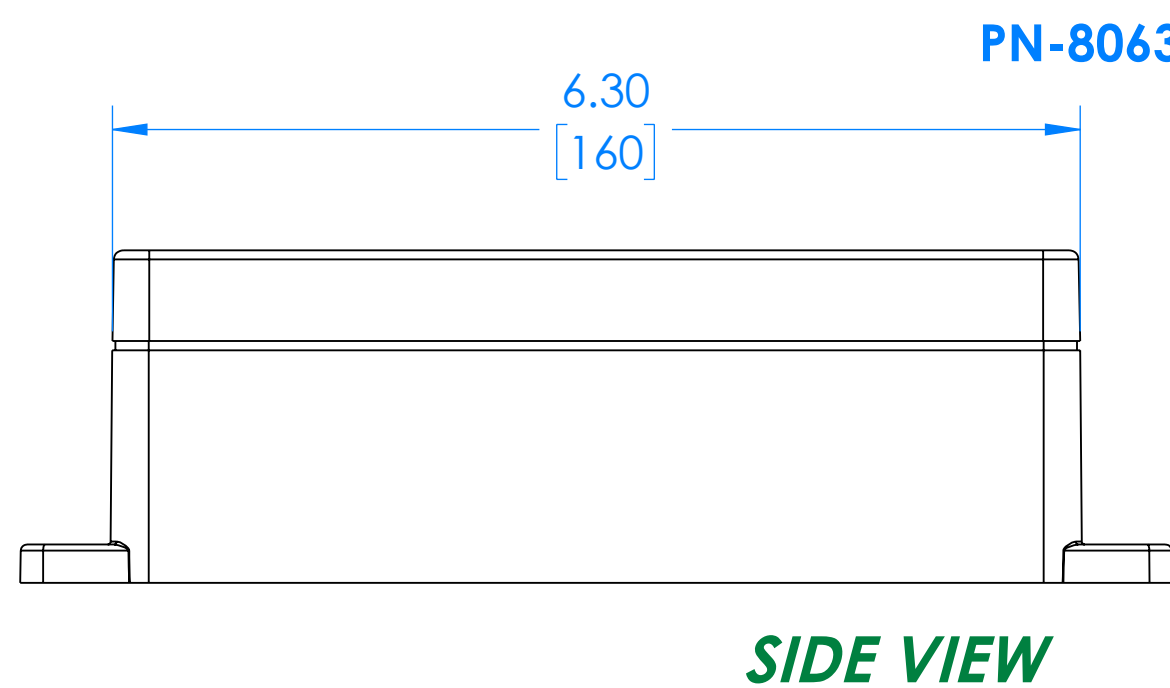
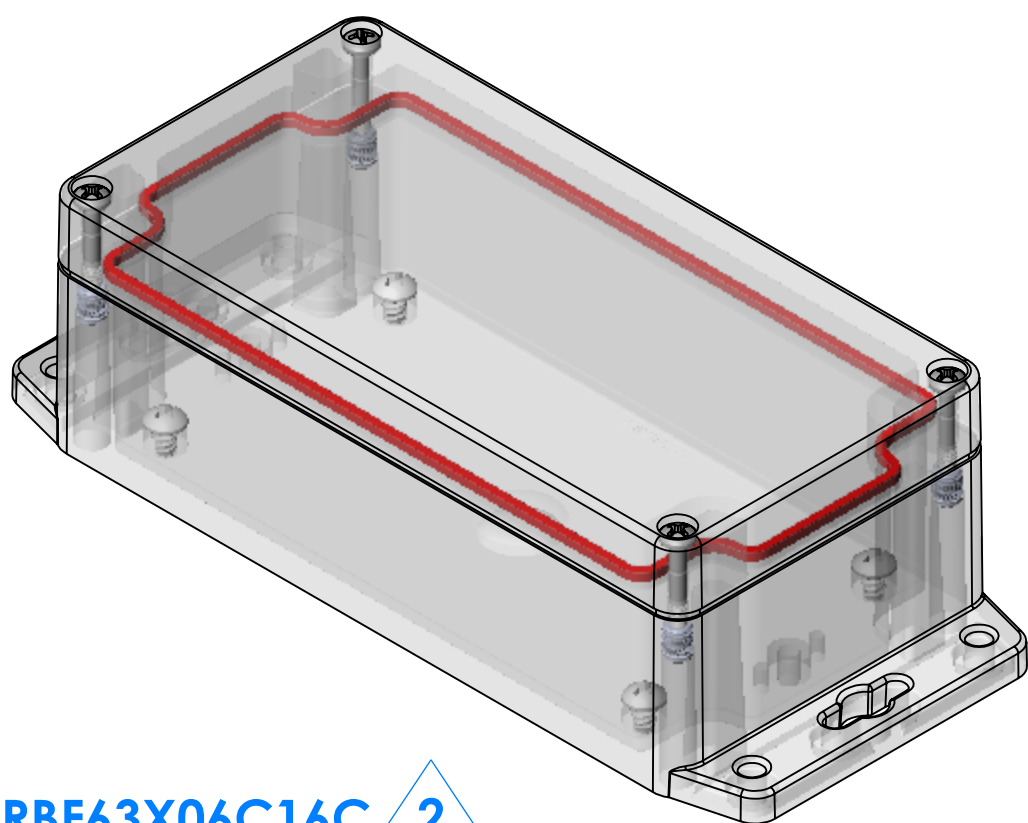
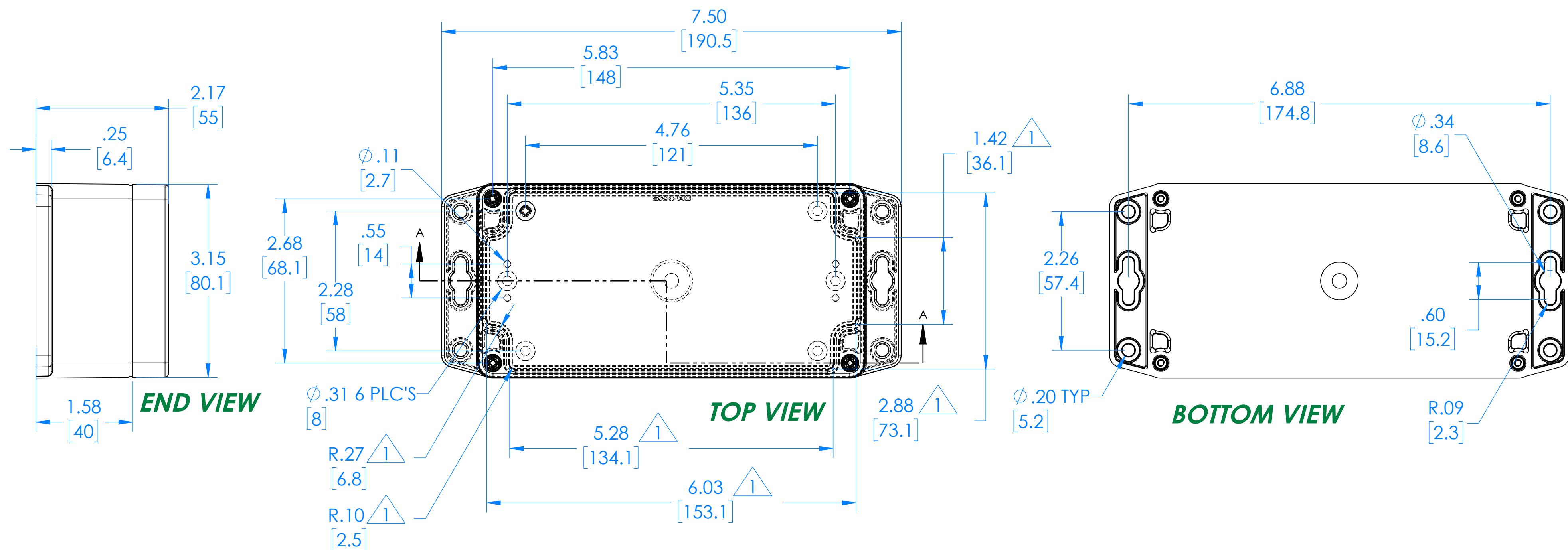


SERPAC RBF63X06Y16Y

Electronic Enclosures

2



RBF63X06C16C 2
 (Part shown, no material (X) specified)

PN	Description
RB63-X06Y	(1) RB63X06Y, Top
RBF63X16Y	(1) RBF63X16Y, Bottom
8063	(1) RB63 O-Ring
6051	(4) #6-32 X 1" Captive PH Pan Hd Screw
6022	(4) #10 High/Low Pan Hd x 1/4"
6113	(4) #6-32 Threaded Insert

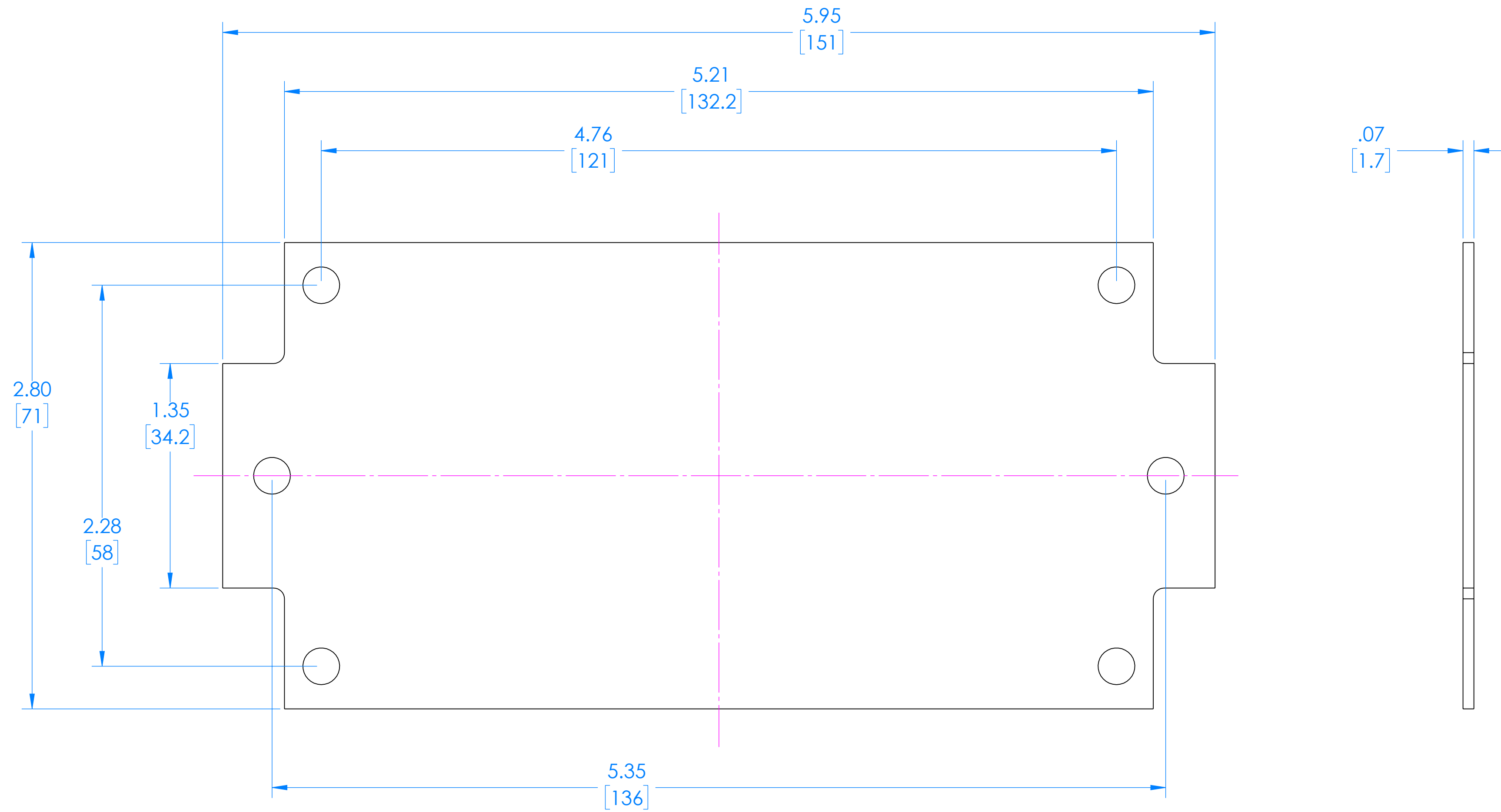
1 =INTERIOR DIMENSIONS (@ BOTTOM)

2 =STANDARD COLORS (Y) ARE: BLACK (B), CLEAR (C) AND GRAY (G)
 TOPS AND BOTTOMS ALL POSSIBLE COMBINATIONS AVAILABLE
 STANDARD MATERIALS (X) IS: POLYCARBONATE (P)

DIMENSIONS in Inch
 [mm]

-Watertight enclosure meets or exceed Nema 4 and or IP67.

RBF63 Circuit Board (Fits all Parts starting with RBF63)



(REFERENCE ONLY)