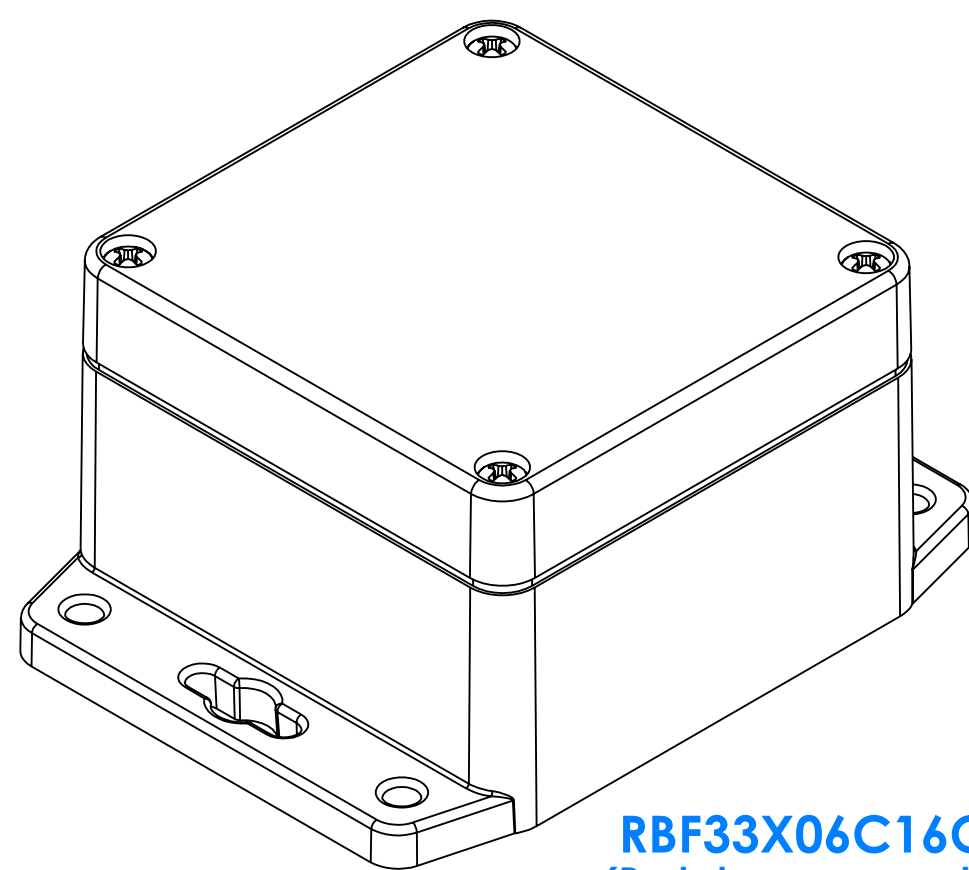
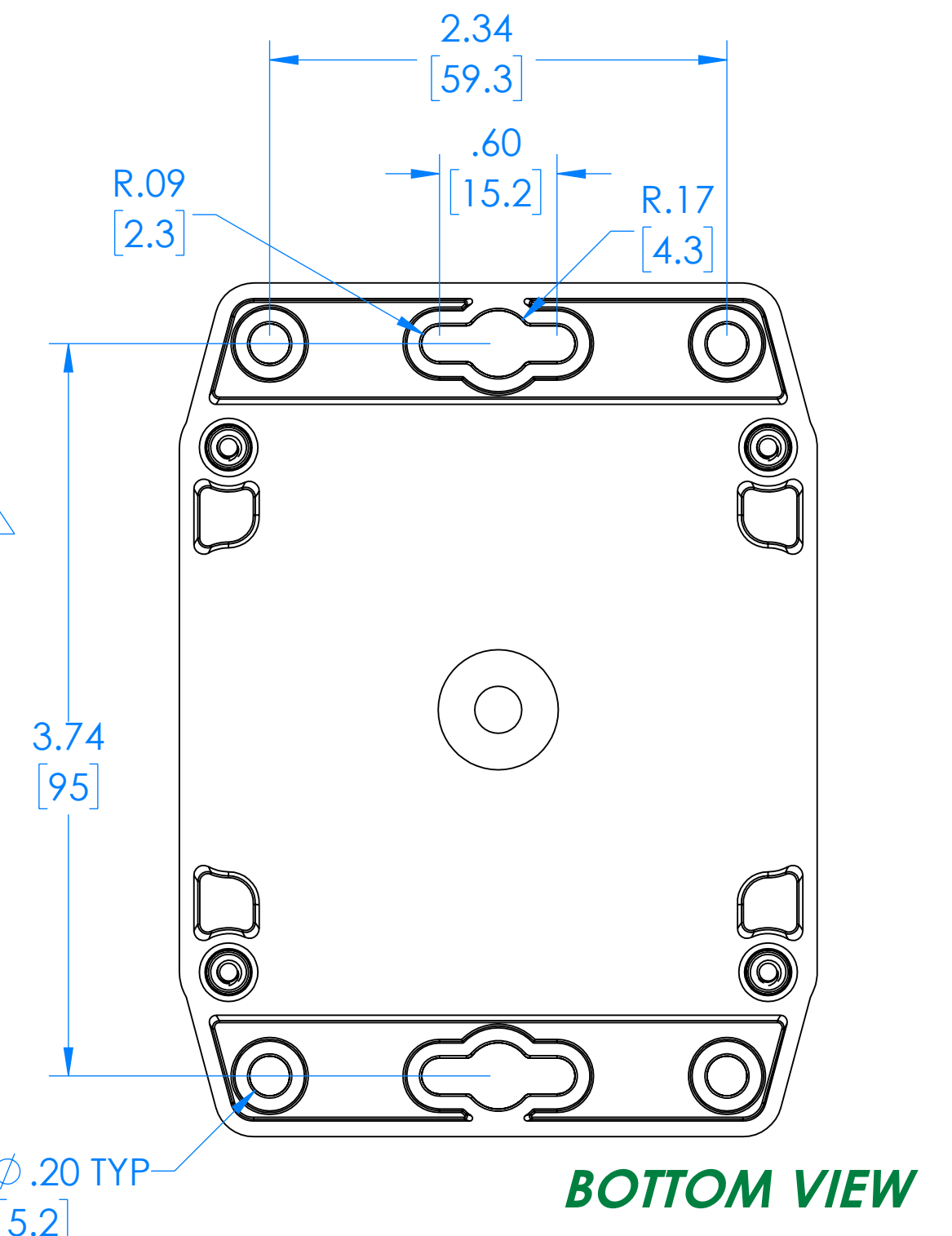
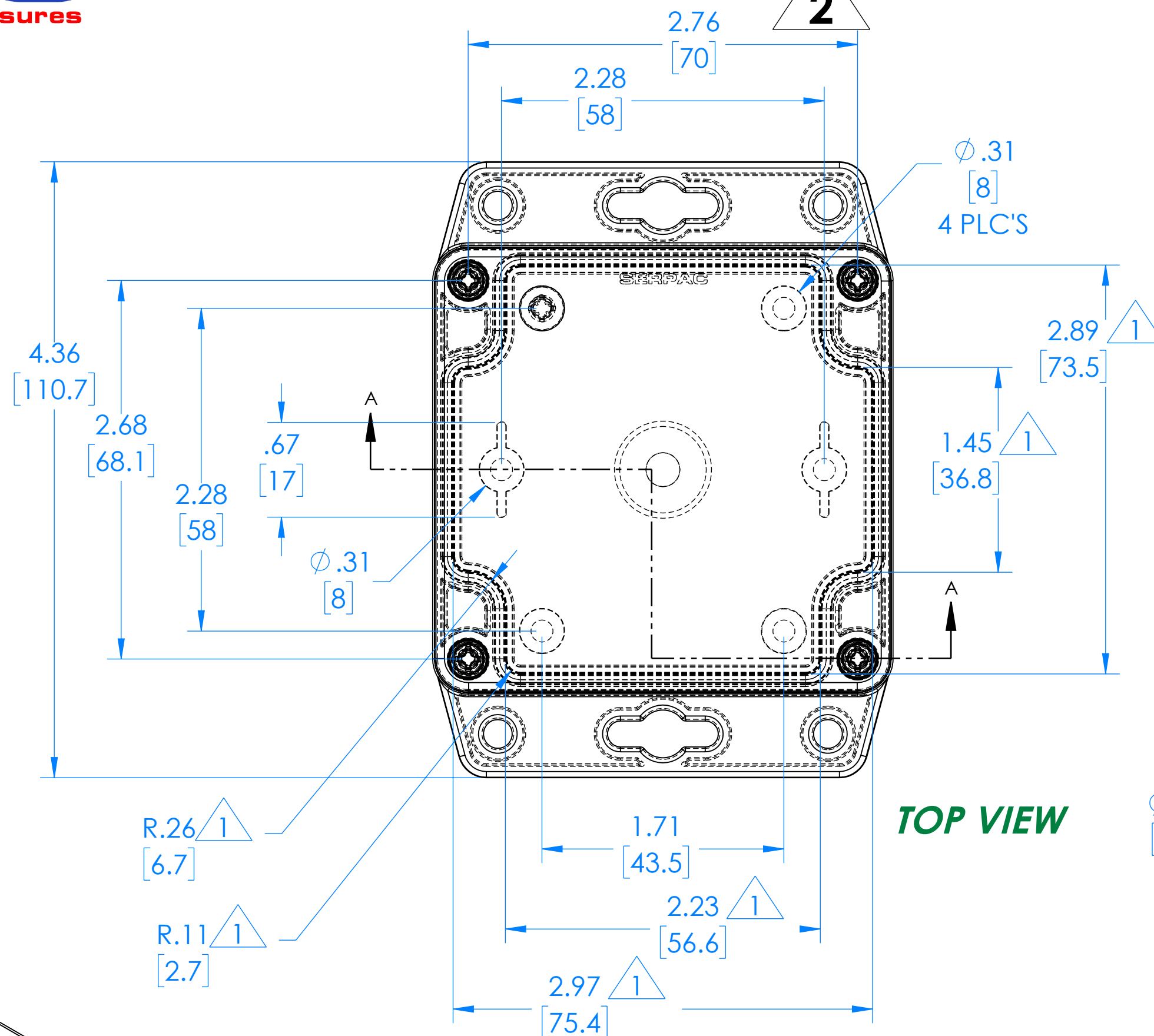
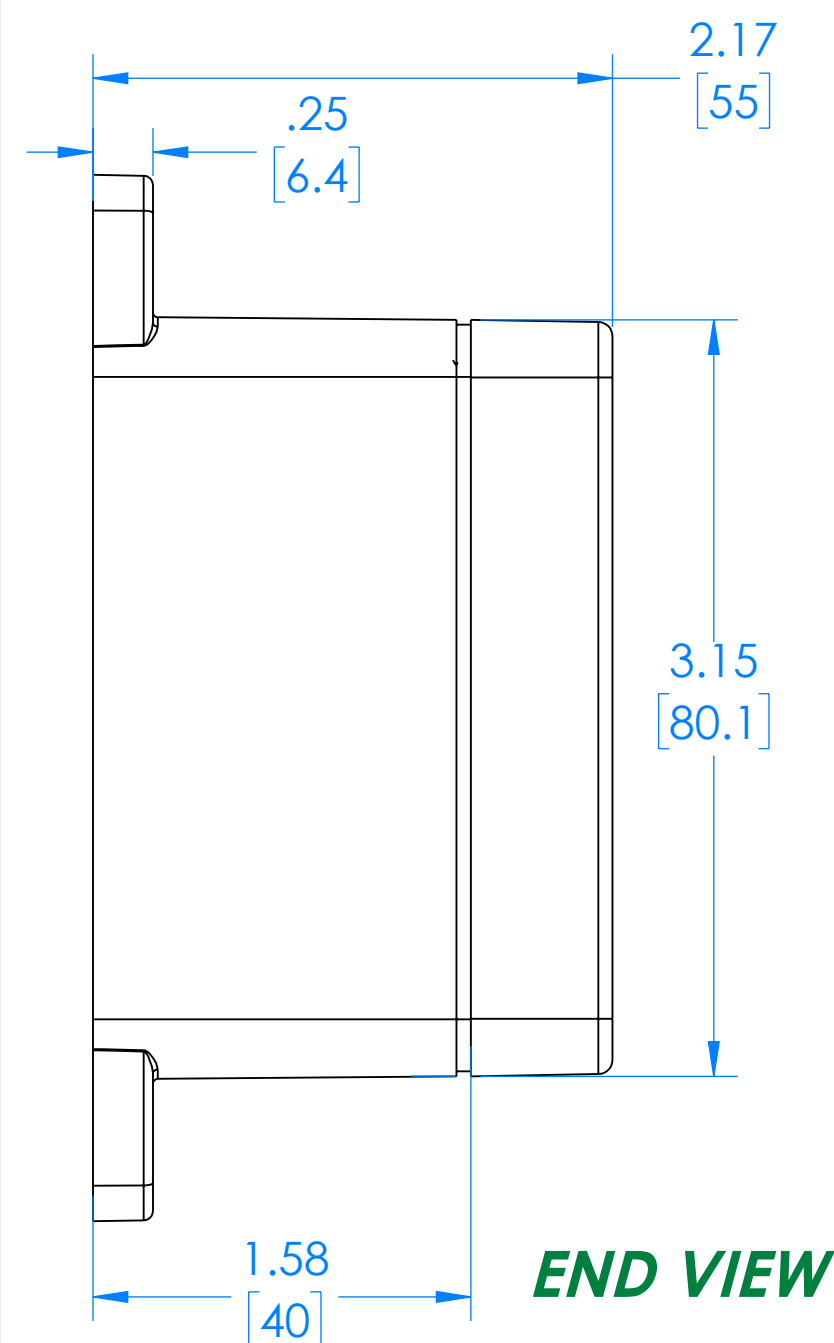
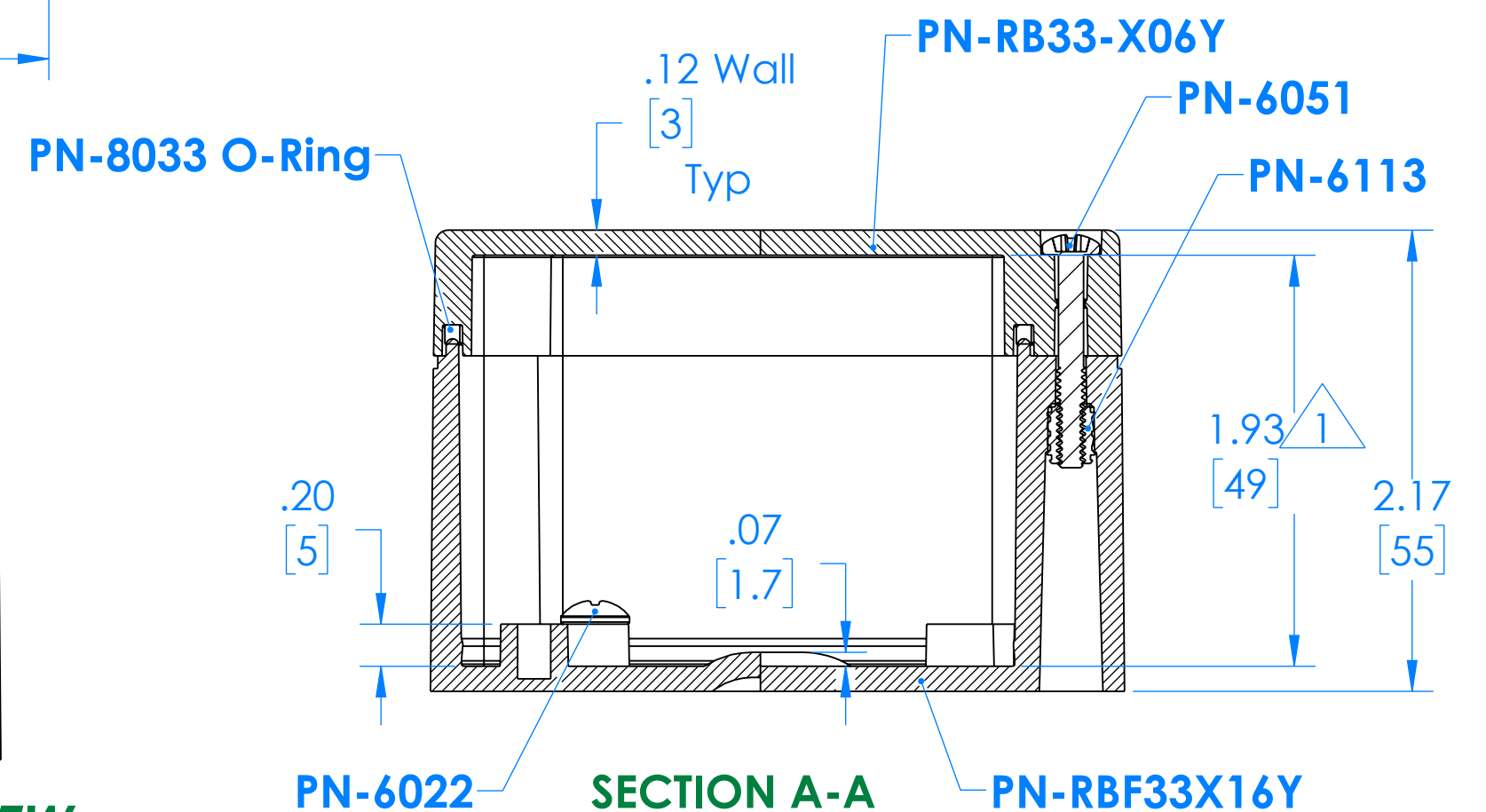
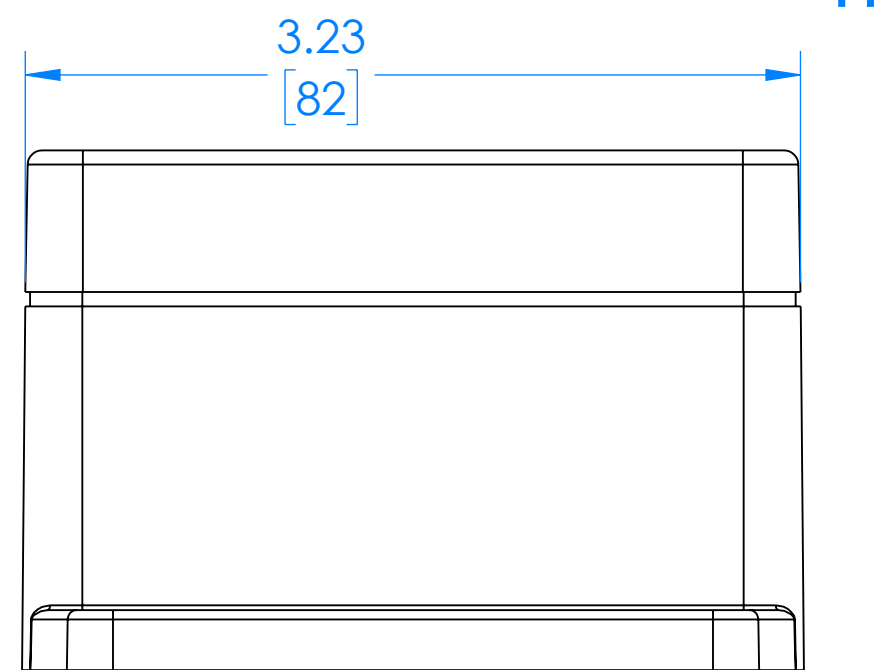


SERPAC RBF33X06Y16Y

Electronic Enclosures



RBF33X06C16C 2
(Part shown, no material (X) specified)

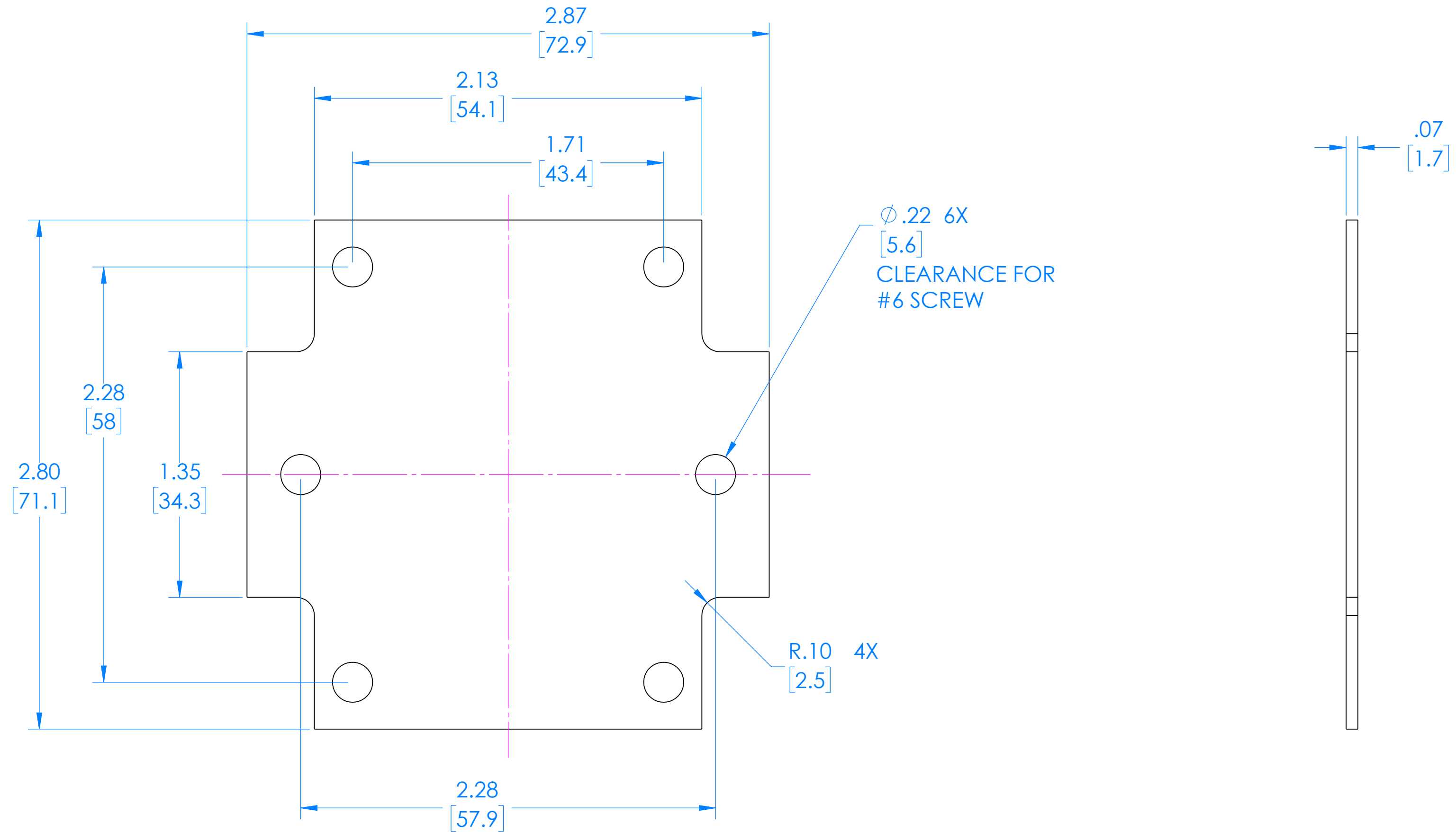


PN	Description
RB33-X06Y	(1) RB33-X06Y, Top
RBF33X16Y	(1) RBF33X16Y, Bottom
8033	(1) RB33 O-Ring
6051	(4) #6-32 X1" Captive Ph Pan Hd Screw
6022	(4) #10 High/Low Pan Hd x 1/4"
6113	(4) #6-32 Threaded Insert

1 = INTERIOR DIMENSIONS (@ BOTTOM)
 2 = STANDARD COLORS (Y) ARE: BLACK (B), CLEAR (C) AND GRAY (G)
 TOPS AND BOTTOMS ALL POSSIBLE COMBINATIONS AVAILABLE
 STANDARD MATERIALS (X) IS: POLYCARBONATE (P)

-Watertight enclosure meets or exceed Nema 4 and or IP67.

DIMENSIONS in Inch [mm]



(REFERENCE ONLY)