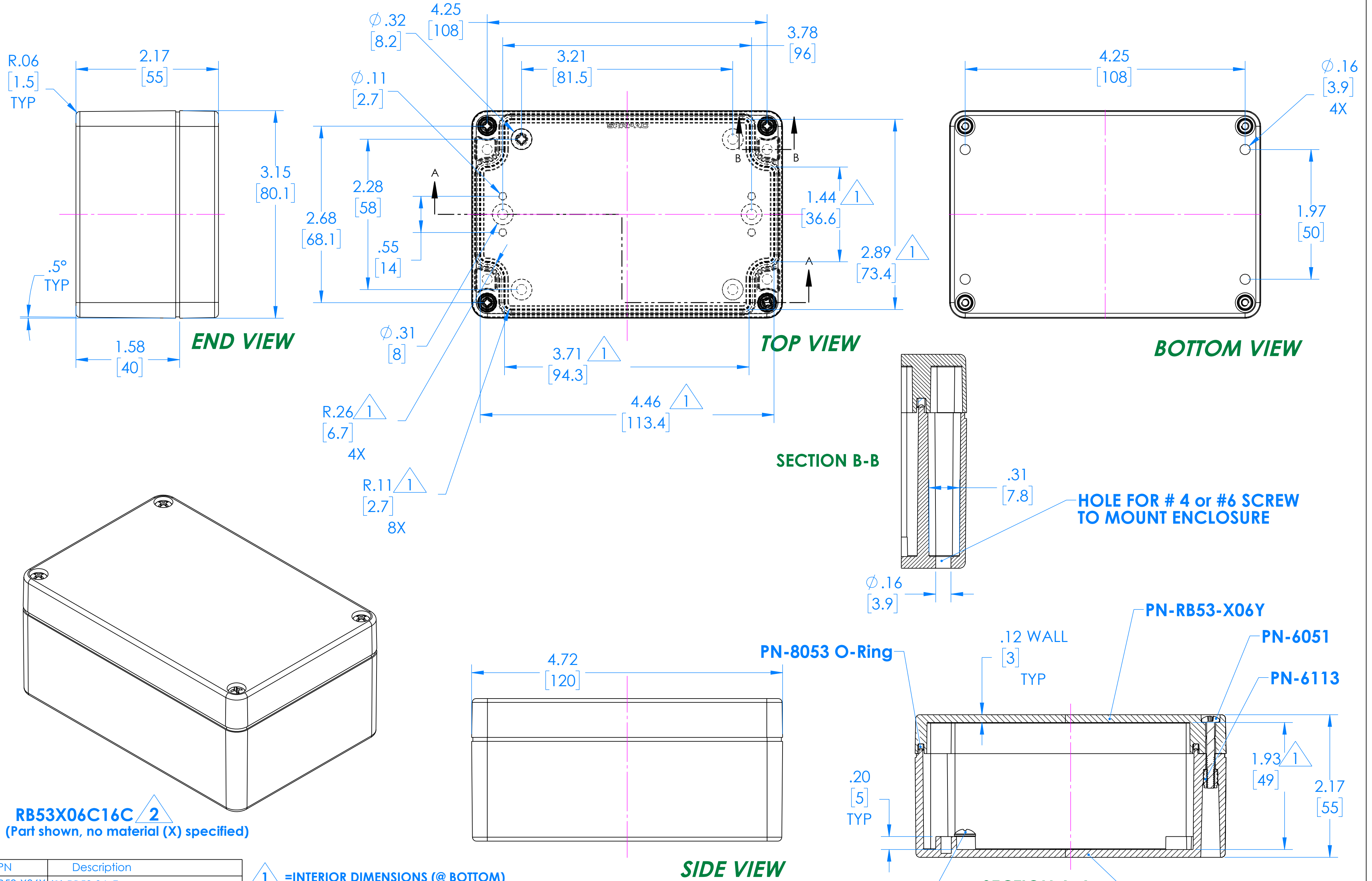


SERPAC RB53X06Y16Y 2

Electronic Enclosures



RB53X06C16C 2
 (Part shown, no material (X) specified)

| PN | Description |
|-----------|---------------------------------|
| RB53-X06Y | (1) RB53 06, Top |
| RB53X16Y | (1) RB53 16, Bottom |
| 8053 | (1) RB53 O-Ring |
| 6051 | (4) #6-32 Ph head captive Screw |
| 6022 | (4) #10 High/Low Pan Hd x 1/4" |
| 6113 | (4) #6-32 Brass Threaded Insert |

1 =INTERIOR DIMENSIONS (@ BOTTOM)
2 =STANDARD COLORS (Y) ARE: BLACK (B), CLEAR (C) AND GRAY (G)
 TOPS AND BOTTOMS ALL POSSIBLE COMBINATIONS AVAILABLE
 STANDARD MATERIALS (X) IS: POLYCARBONATE (P)

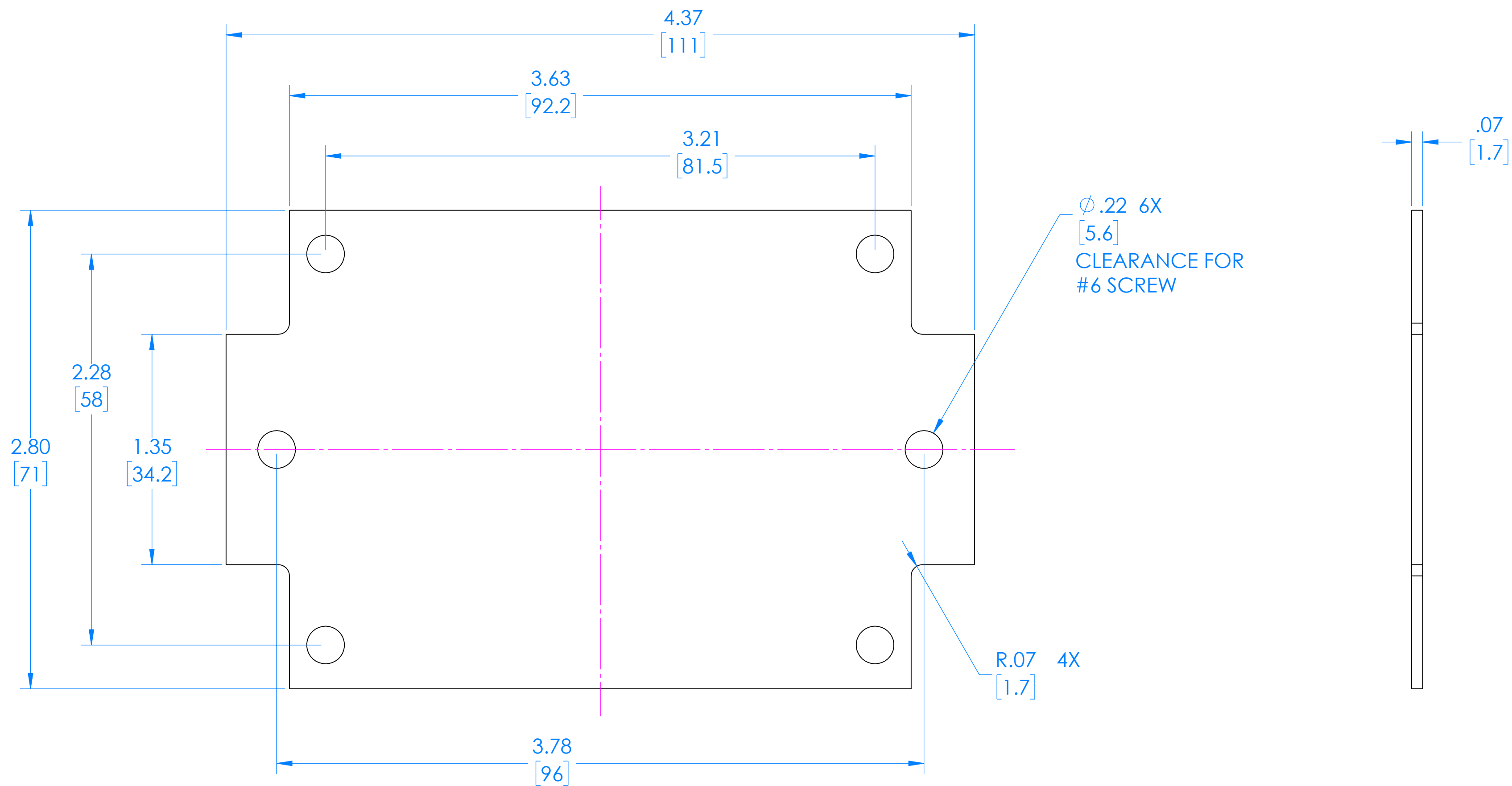
-Watertight enclosure meets or exceed Nema 4 and or IP67.

DIMENSIONS in Inch [mm]

ALL DIMENSIONS ARE $\pm .010$ "
 2009 Wright Ave., La Verne, Ca. 91750
 Ph. (626) 331-0517 Fx. (626) 331-8584 serpac.com

5/5/2023

RB53 Circuit Board (Fits all Parts starting with RB53)



(REFERENCE ONLY)