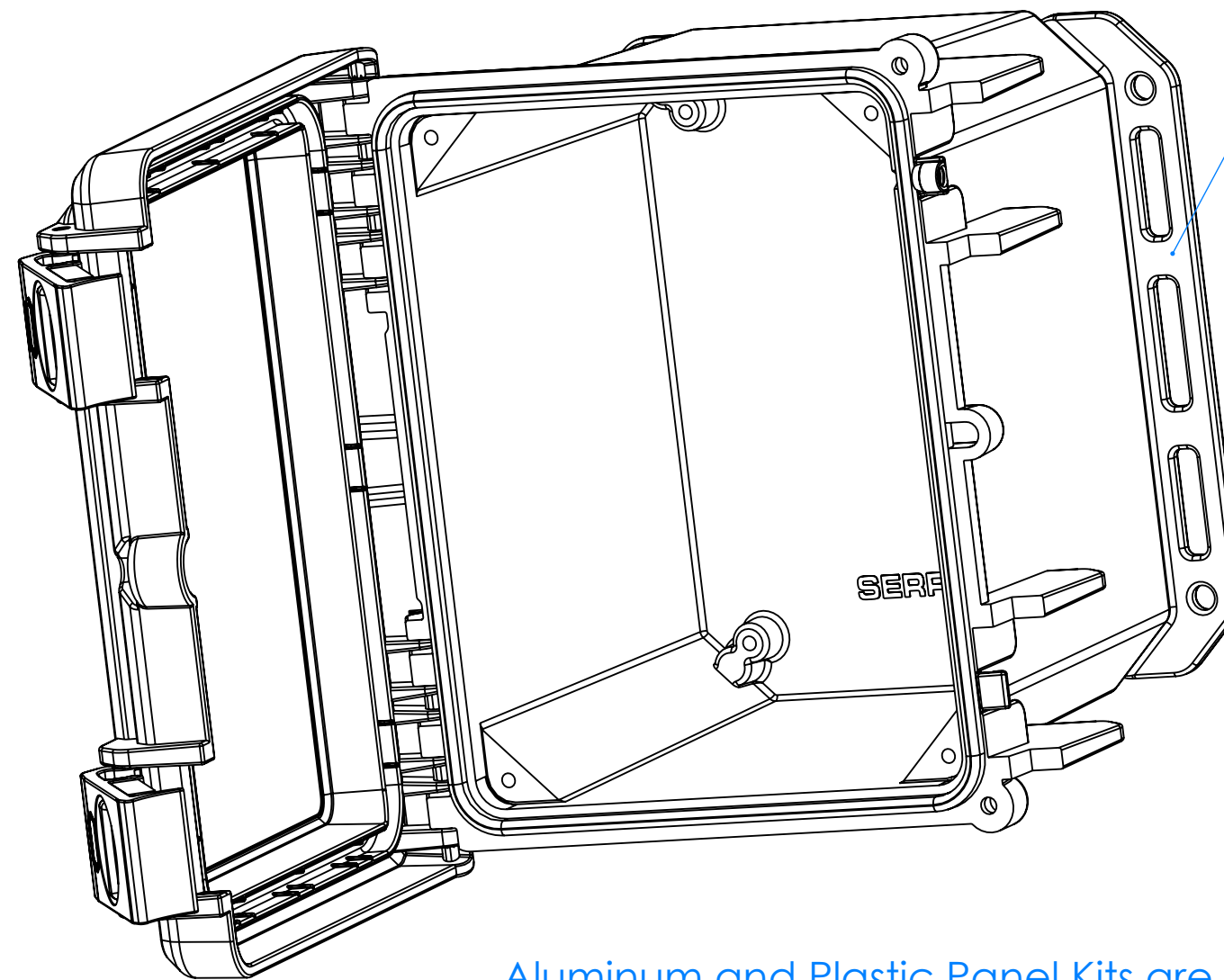
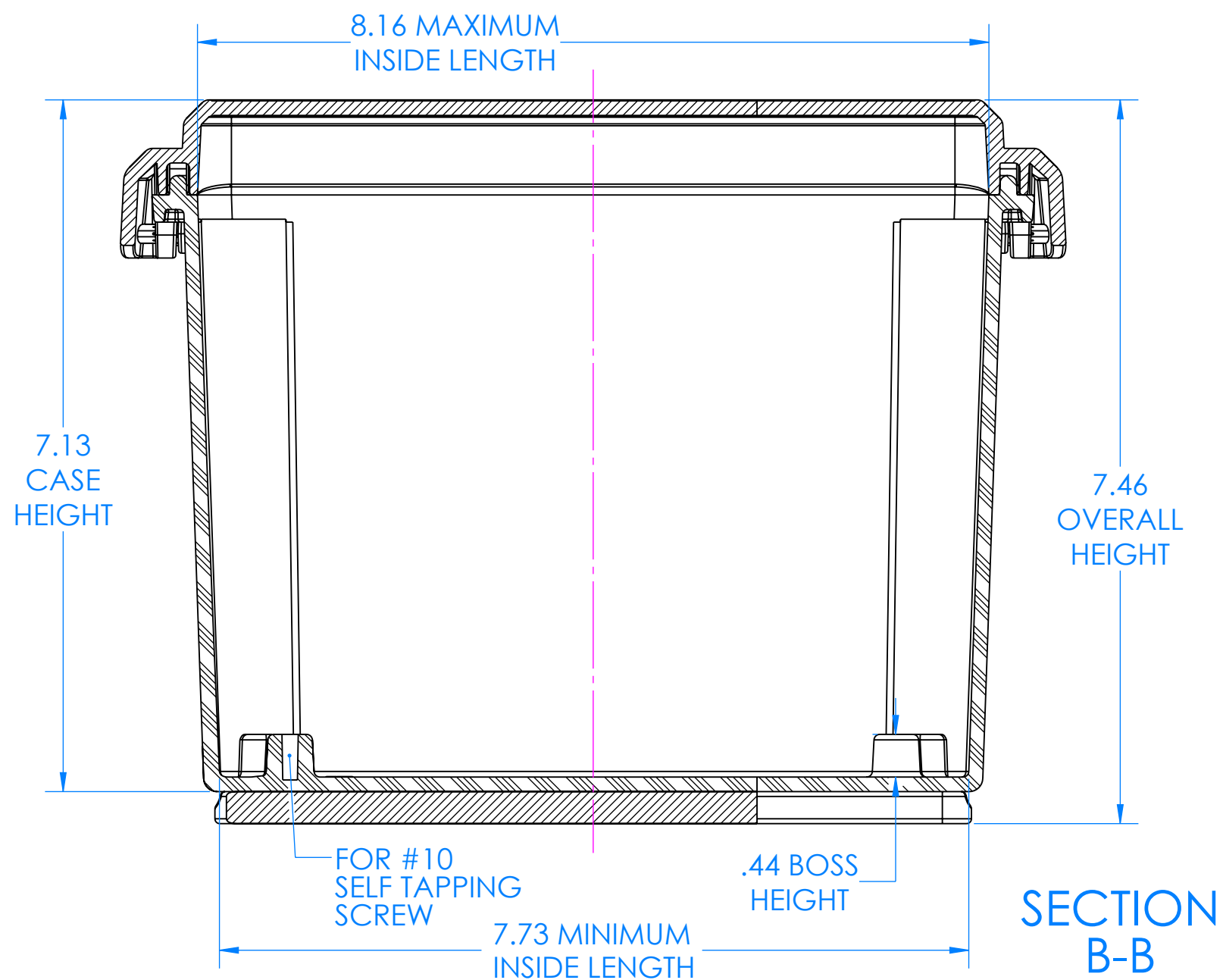
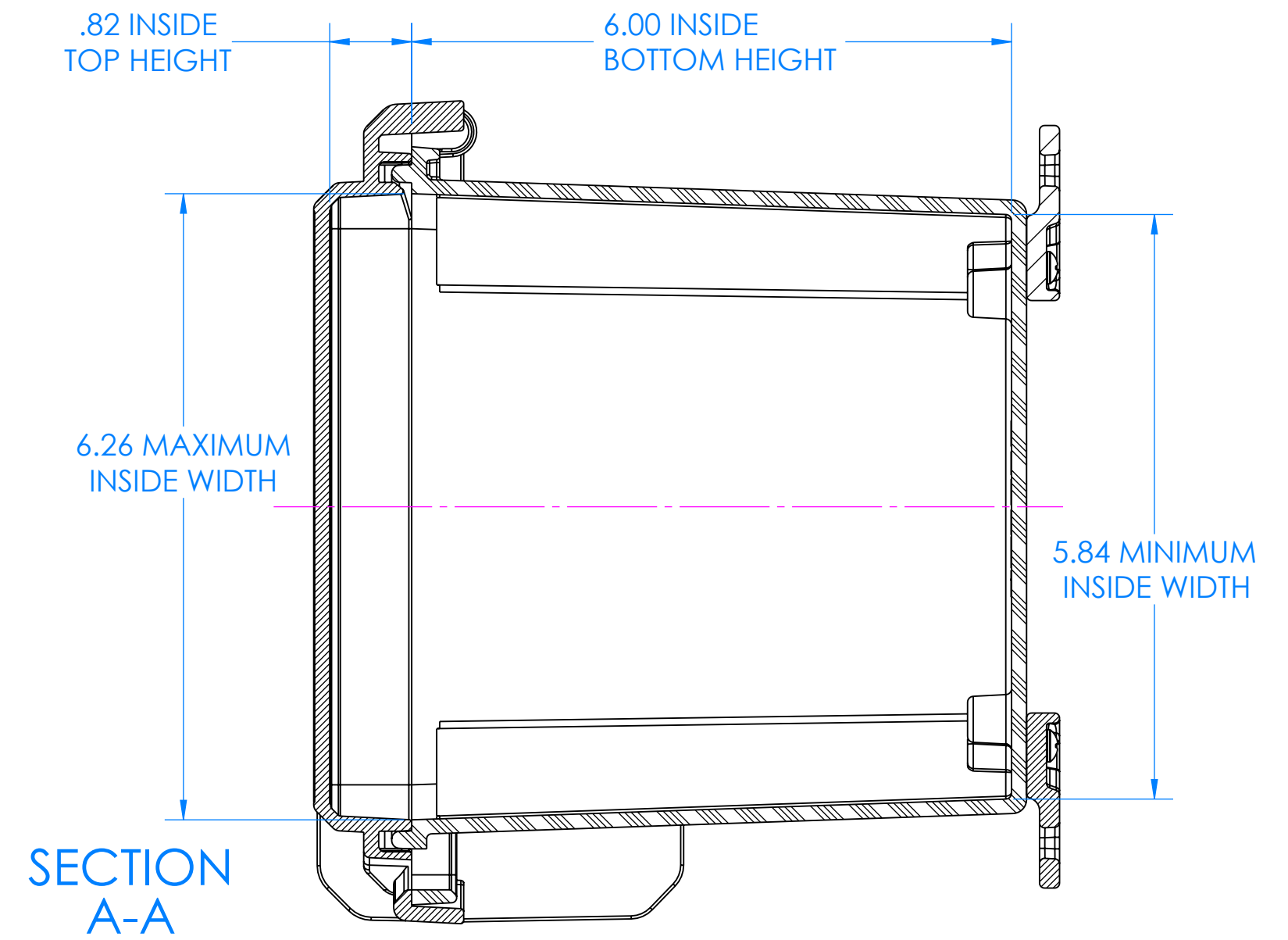
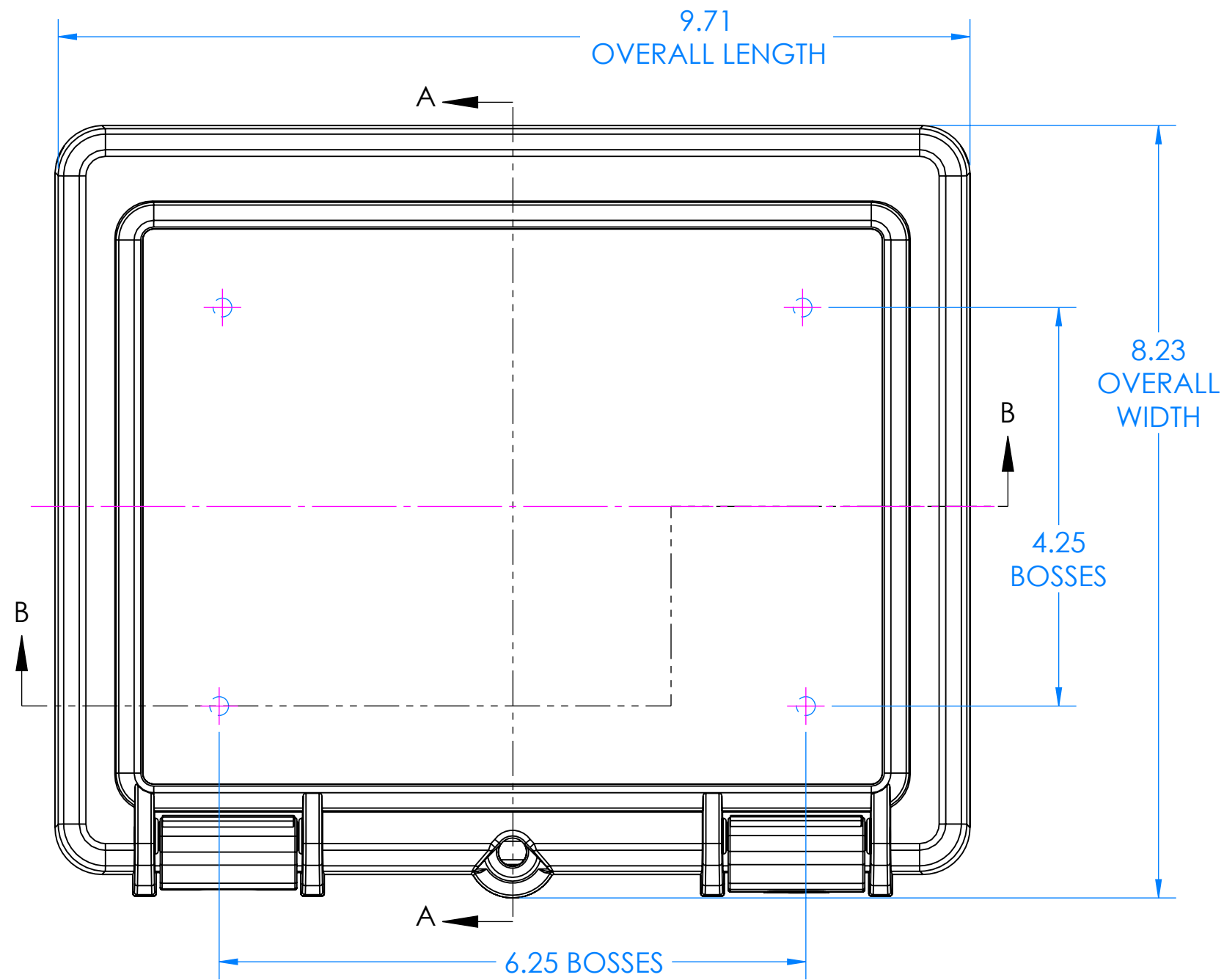


# SERPAC I162HL

Electronic Enclosures



2 Mounting Brackets included, see sheet 2 for dimensions and for optional mounting Corner Feet and Brackets.

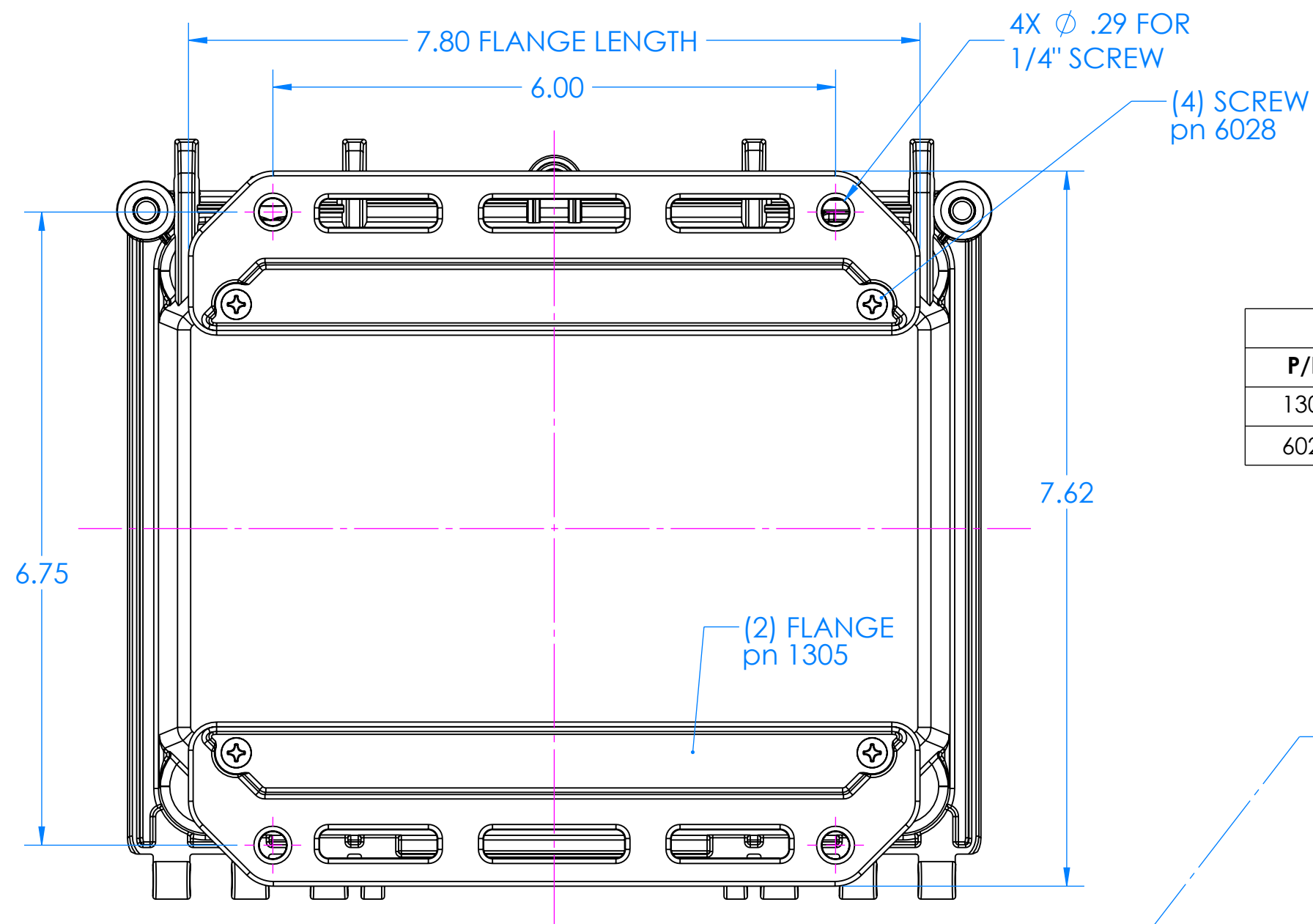
- UL listed to UL 508A 4/4X standard (UL file E519183).
- Material: UV stabilized Polycarbonate Flammability V0, F1 rated material.
- Watertight enclosure meets or exceed Nema 4 and or IP67.

PARTS INCLUDED		
P/N	Qty.	Description
I152HLT	1	I152 Hinge Latch Top
I160HLB	1	I160 Hinge Latch Bottom
7011PCM	1	I-Series latch modified (PC)
7011PC	1	I-series Safety latch (PC)
8000	1	Purge valve O-ring
8150	1	150 O-Ring
1305	2	Mounting Bracket
6028	4	SS #10 X 5/8" Pan H/L

Aluminum and Plastic Panel Kits are available as options, see sheets 3-6. The aluminum panel options are:  
 Bottom Panel Kit p/n 7100B  
 Top Panel Kit p/n 7100T  
 Hinged Top Panel Kit p/n 7100TH  
 The plastic panel option is:  
 Hinged Panel Kit p/n 7100HP

# SERPAC I162 Mounting Bracket Dimensions

Electronic Enclosures



## INCLUDED STANDARD 1305 FLANGE KIT

PARTS INCLUDED IN KIT PN 1305		
P/N	Qty.	Description
1305	2	Mounting Bracket
6028	4	SS #10 X 5/8" Pan Combo H/L Screw

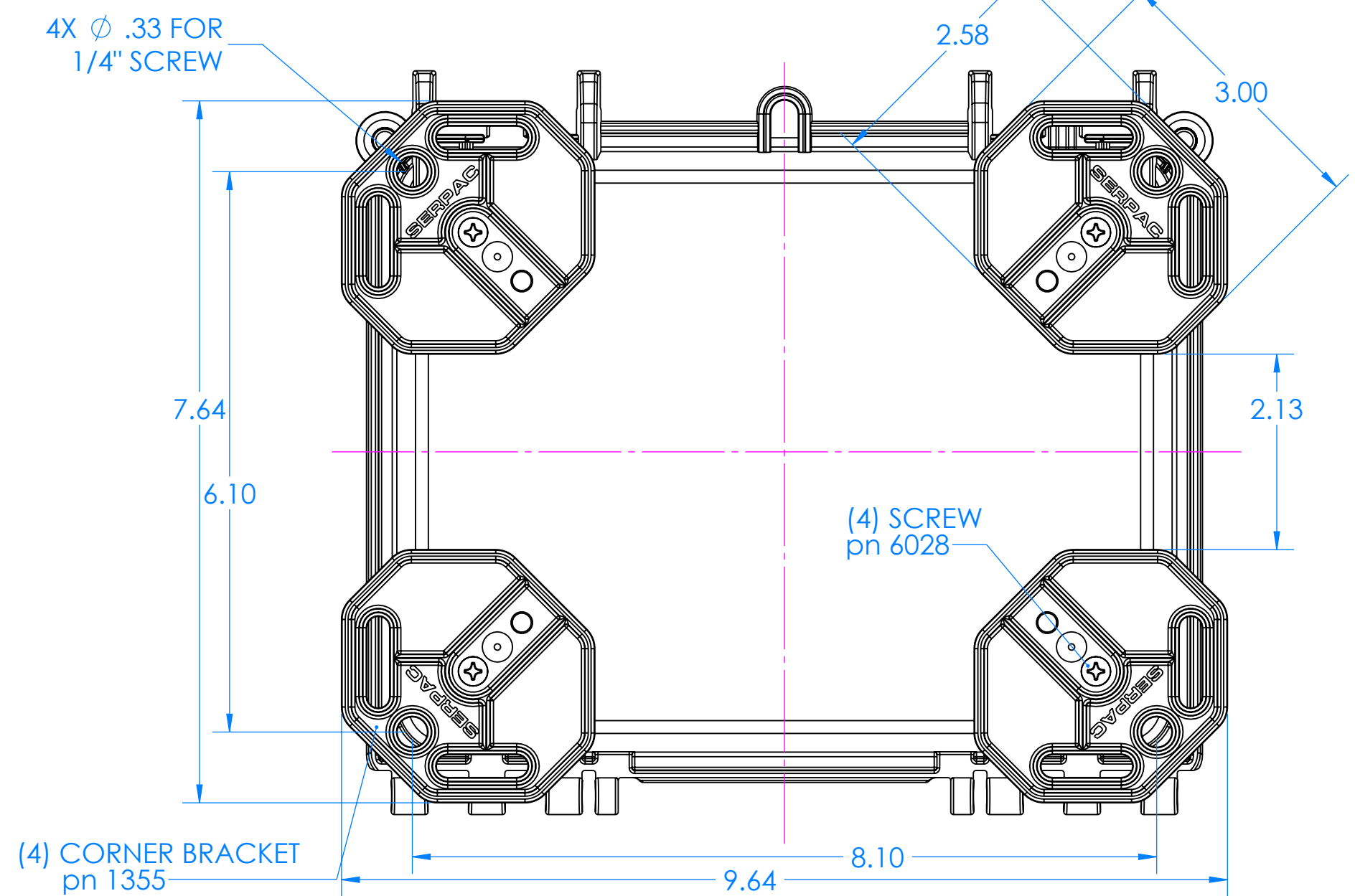
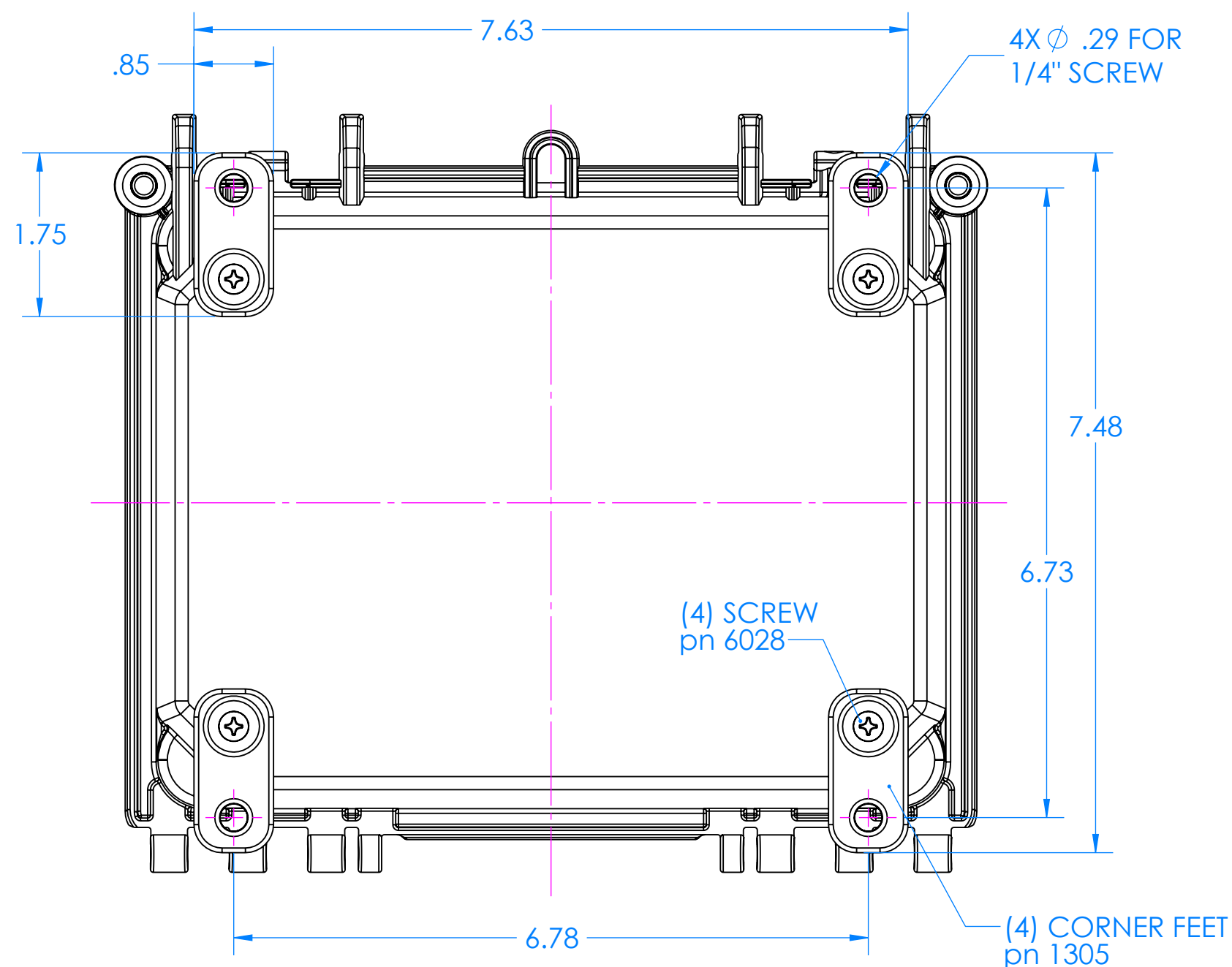
TOP & LATCHES REMOVED FOR CLARITY FROM ALL VIEWS

## OPTIONAL 1306 CORNER FEET KIT

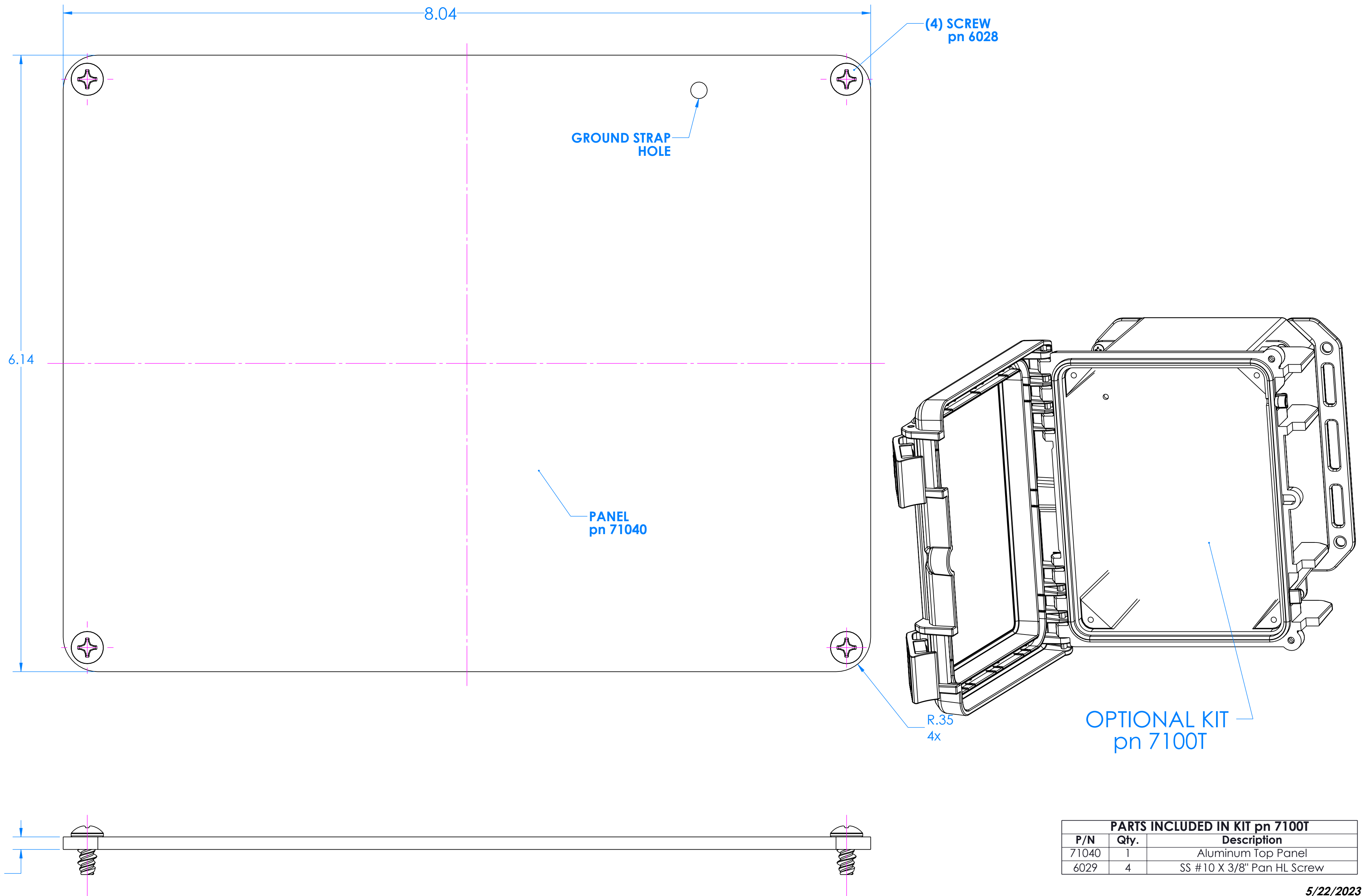
PARTS INCLUDED IN KIT pn 1306		
P/N	Qty.	Description
1306	4	Mounting Corner Feet
6028	4	SS #10 X 5/8" Pan Combo H/L Screw

## OPTIONAL 1355 CORNER BRACKET KIT

PARTS INCLUDED IN KIT PN 1355		
P/N	Qty.	Description
1355	4	Mounting Corner Bracket
6028	4	SS #10 X 5/8" Pan Combo H/L Screw



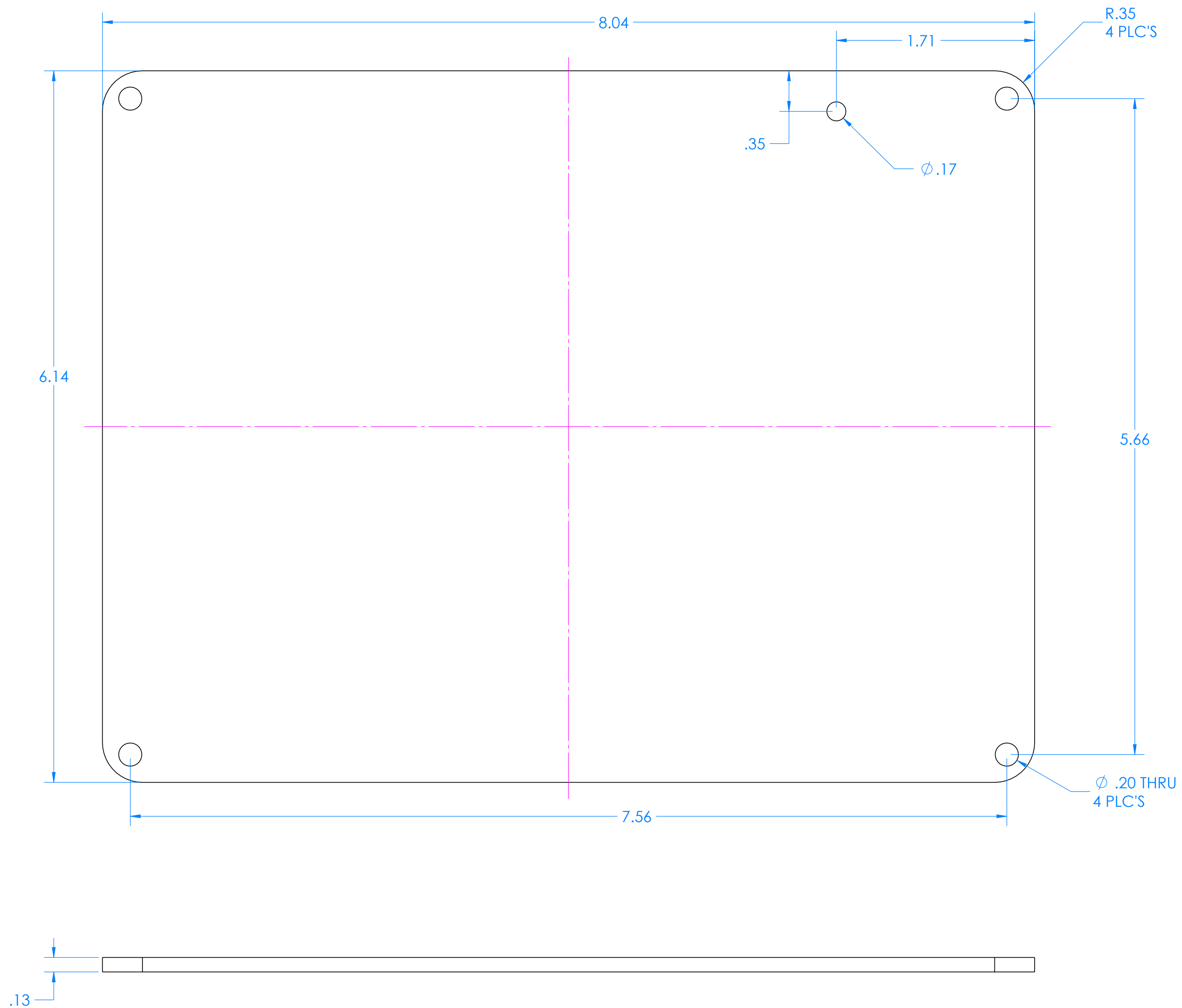
# 7100T Aluminum Top Panel Kit for I142HL, I152HL and I152HS



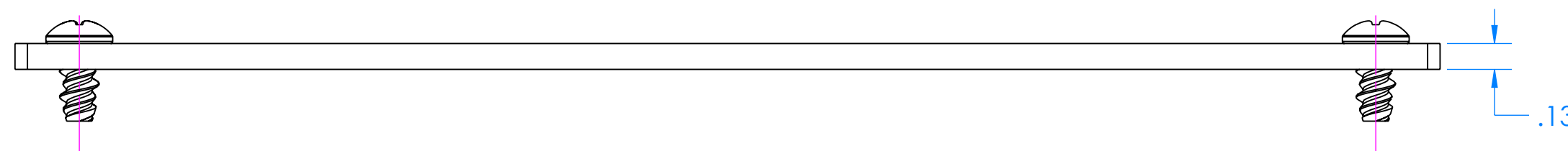
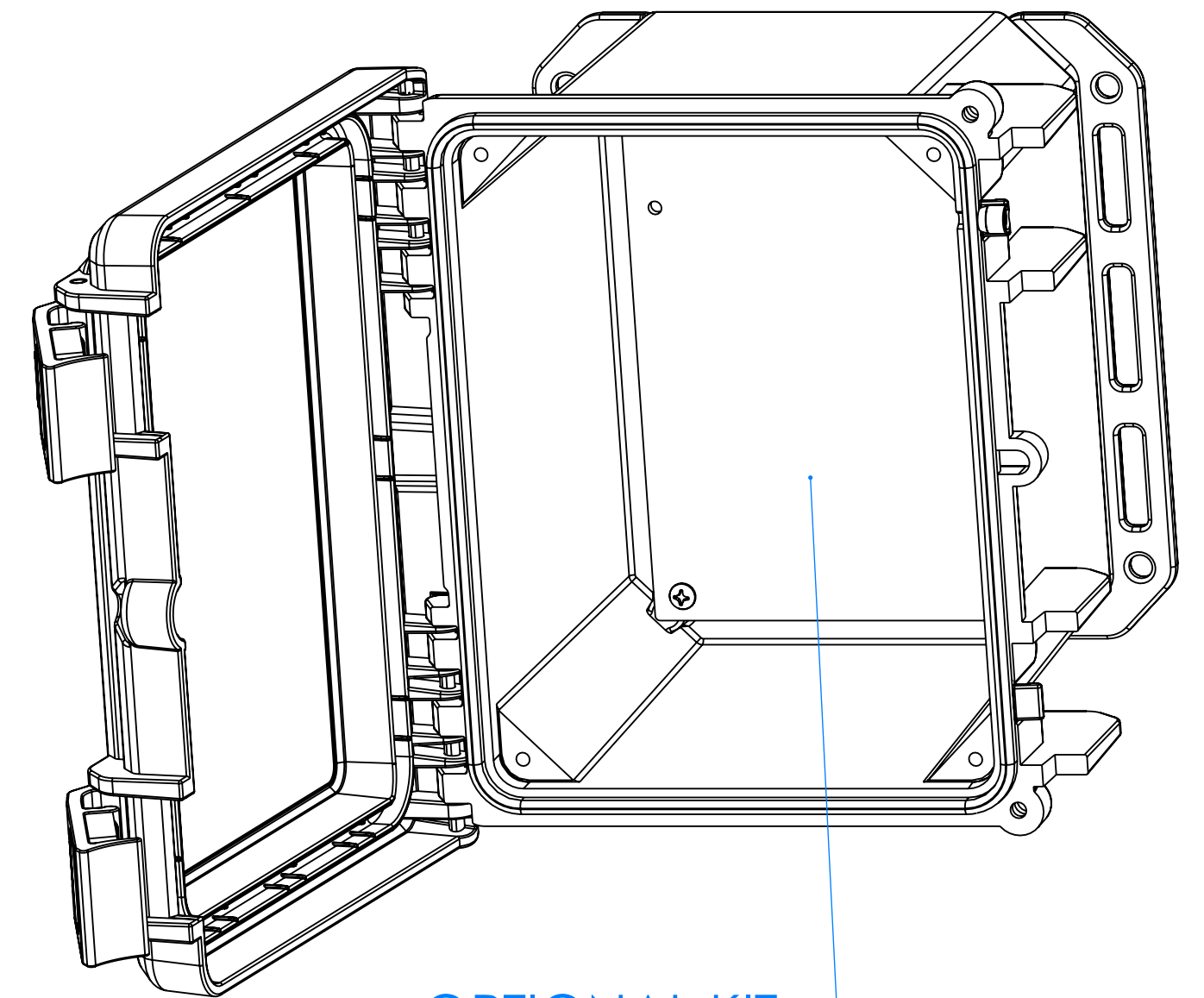
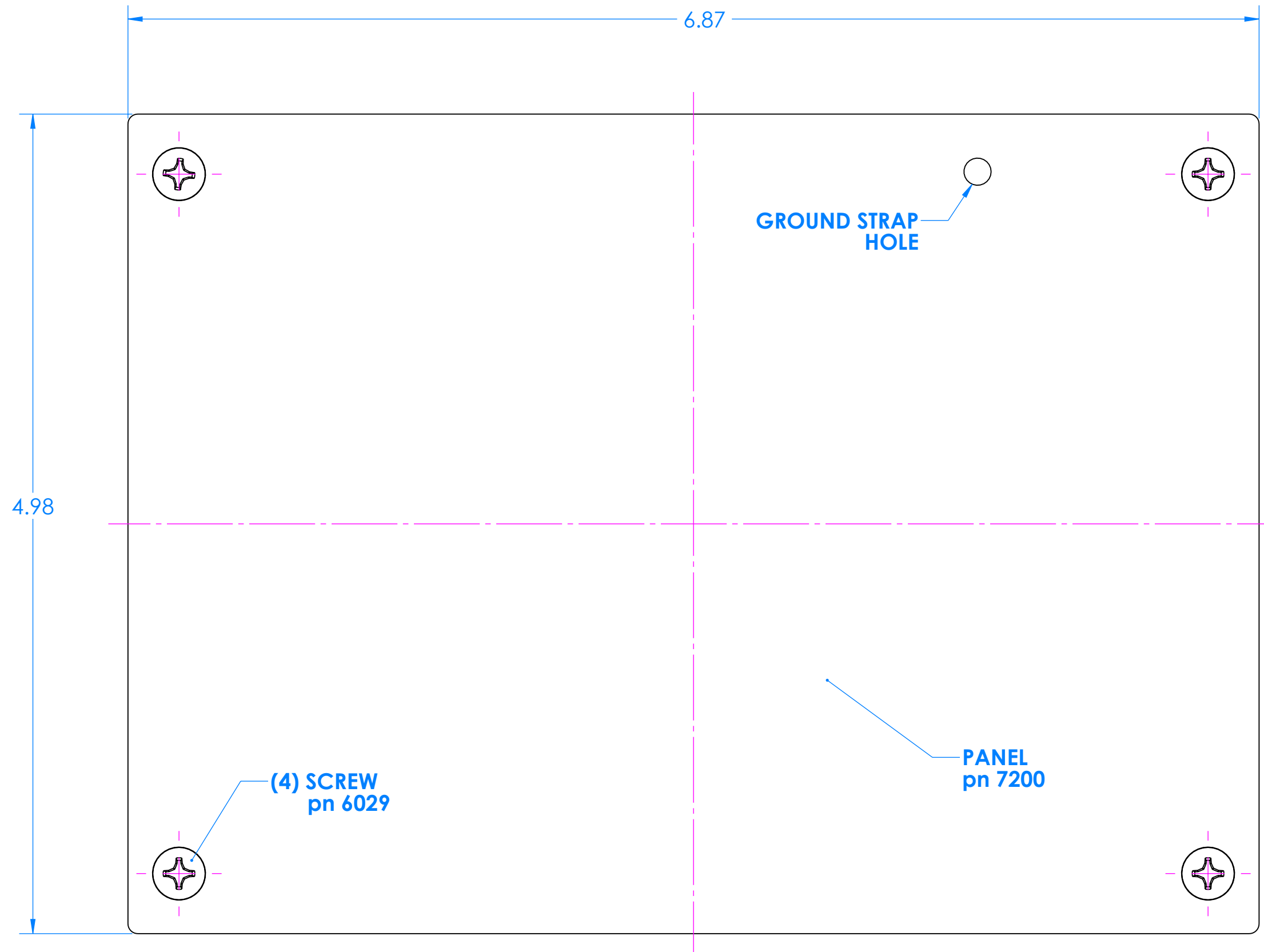
PARTS INCLUDED IN KIT pn 7100T		
P/N	Qty.	Description
71040	1	Aluminum Top Panel
6029	4	SS #10 X 3/8" Pan HL Screw

# 71040 Aluminum Top Panel

## I142HL, I152HL and I152HS



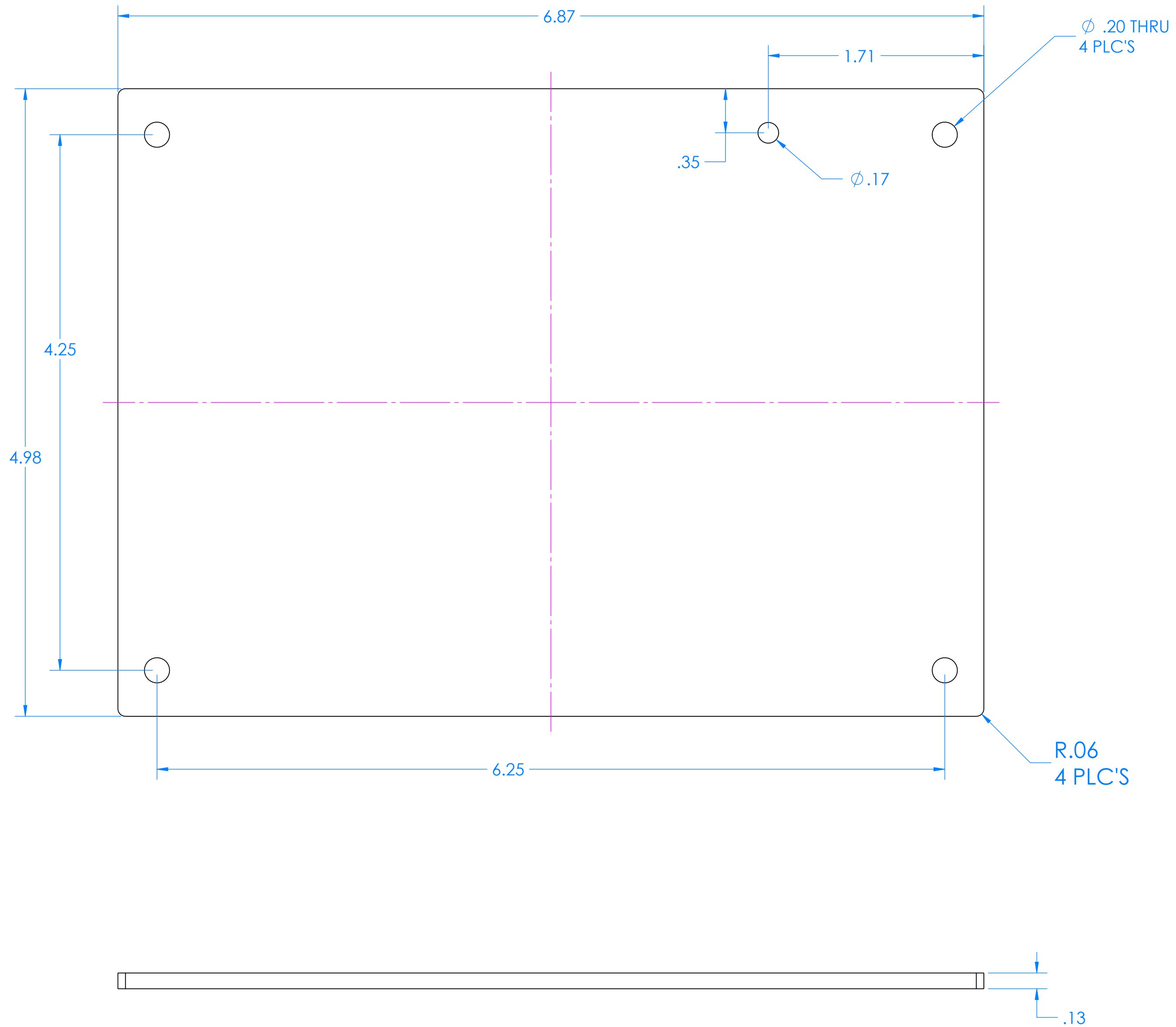
# 7100B Aluminum Bottom Panel Kit for I142HL, I152HL and I152HS



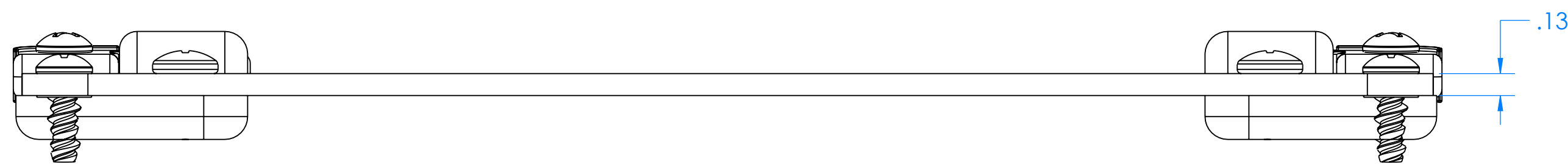
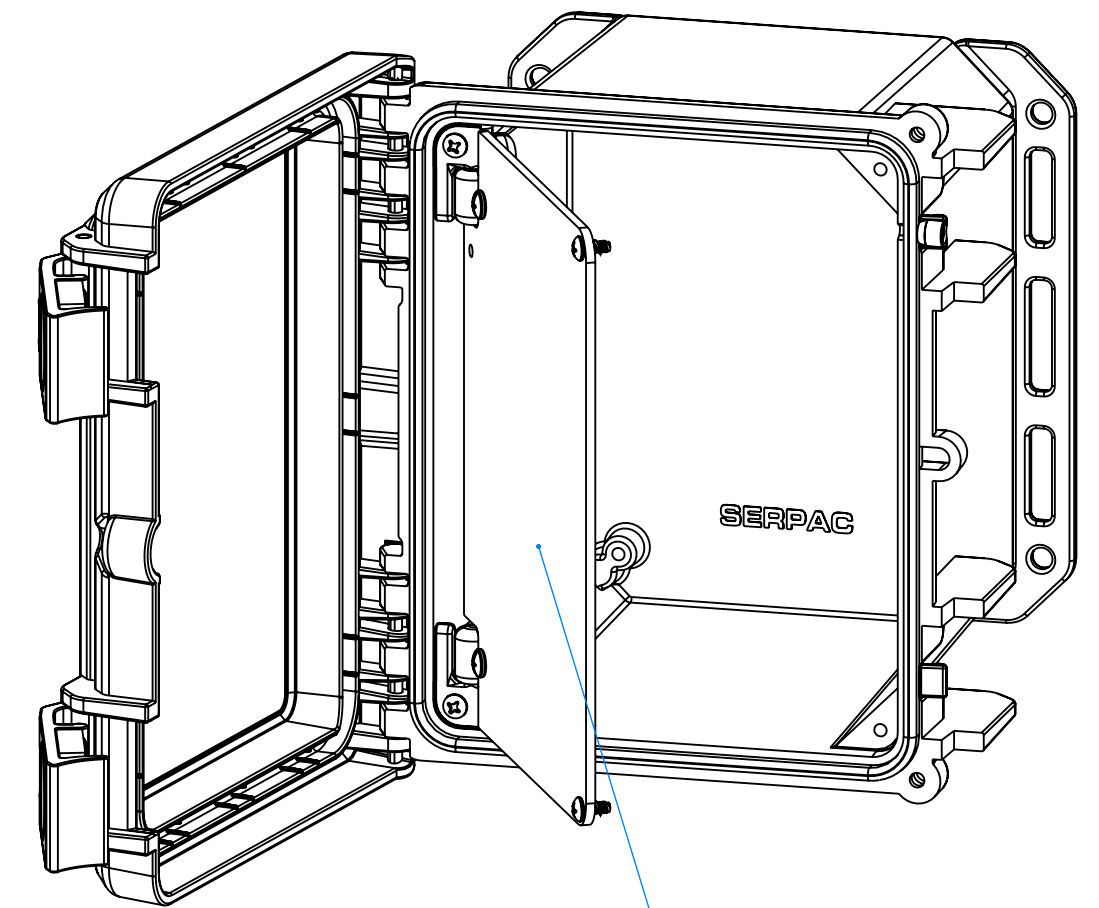
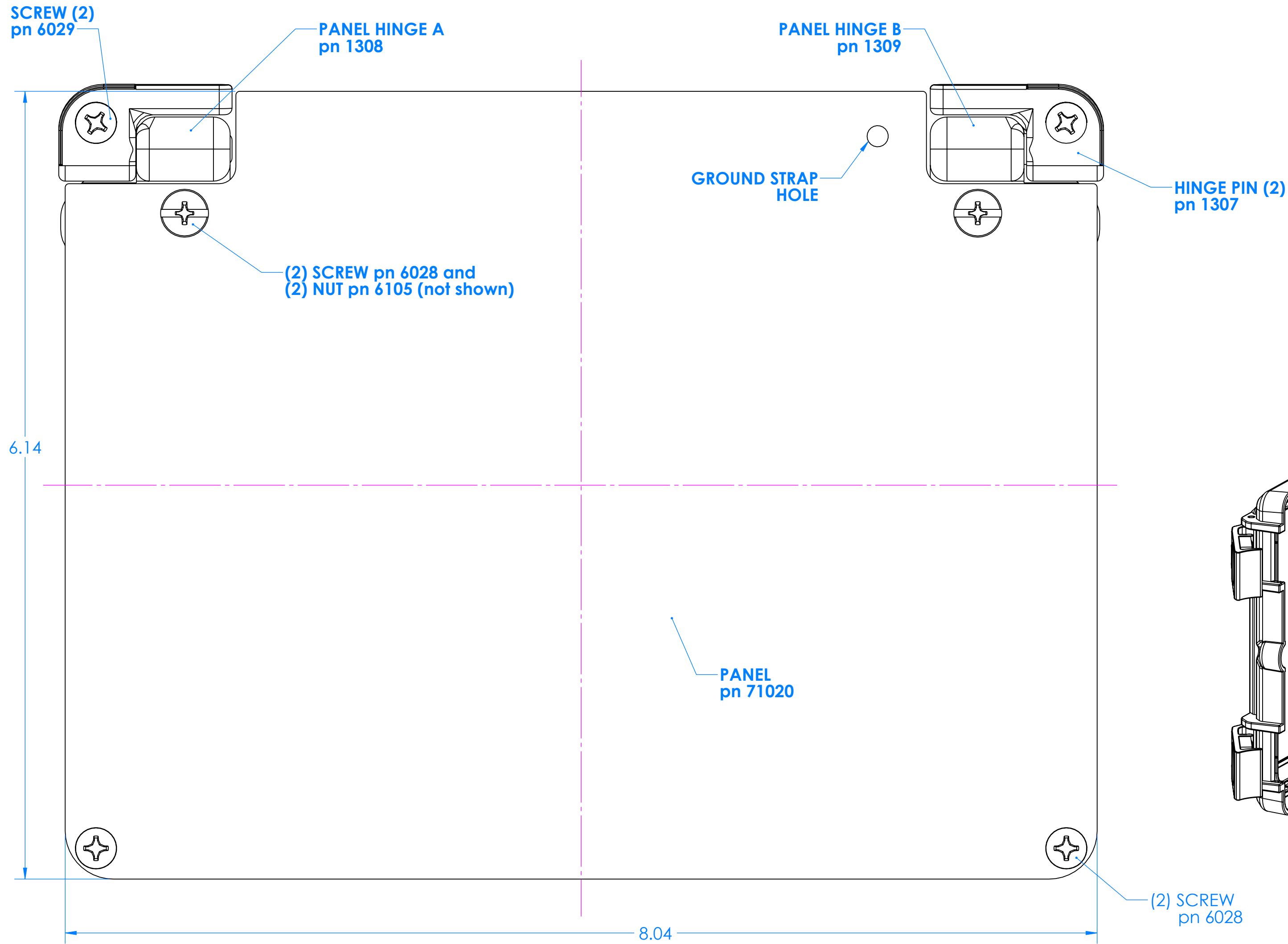
PARTS INCLUDED IN pn 7100B		
P/N	Qty.	Description
71000	1	Aluminum Bottom Panel
6029	4	SS #10 X 3/8" Pan HL Screw

# 7000 Aluminum Bottom Panel

## I142HL, I152HL and I152HS



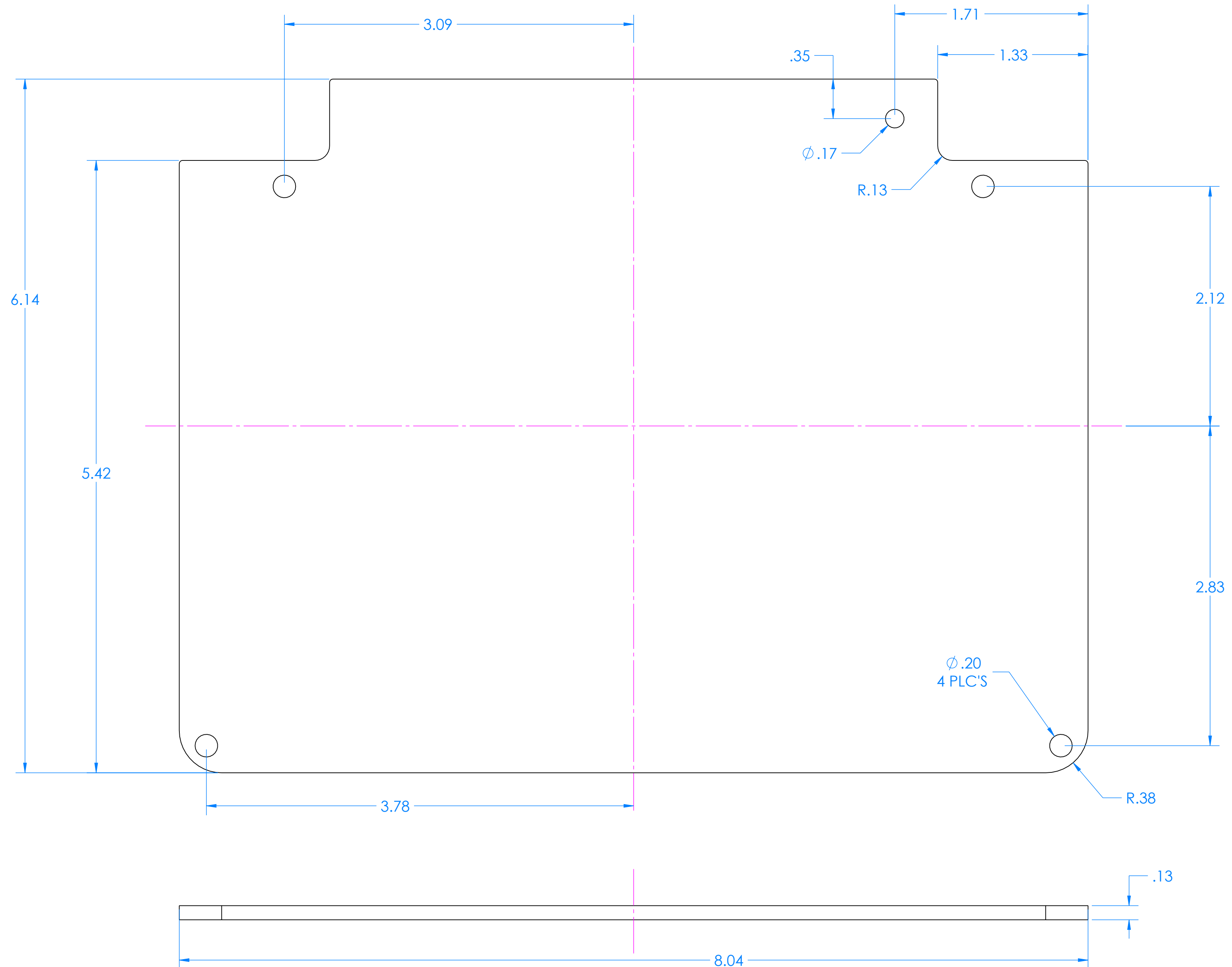
## 7100TH Aluminum Hinged Top Panel Kit for I142HL, I152HL and I152HS



PARTS INCLUDED IN pn 7100TH		
P/N	Qty.	Description
71020	1	Aluminum Hinged Top Panel
6029	2	SS #10 X 3/8" Pan HL Screw
6030	2	SS #10-32 X 3/8" Pan Combo Screw HL Screw
6105	2	SS #10-32 X1/8" Nut
6028	2	SS #10 X 5/8" Pan Combo HL Screw
1307	2	Hinge Pin
1308	1	Panel Hinge A
1309	1	Panel Hinge B

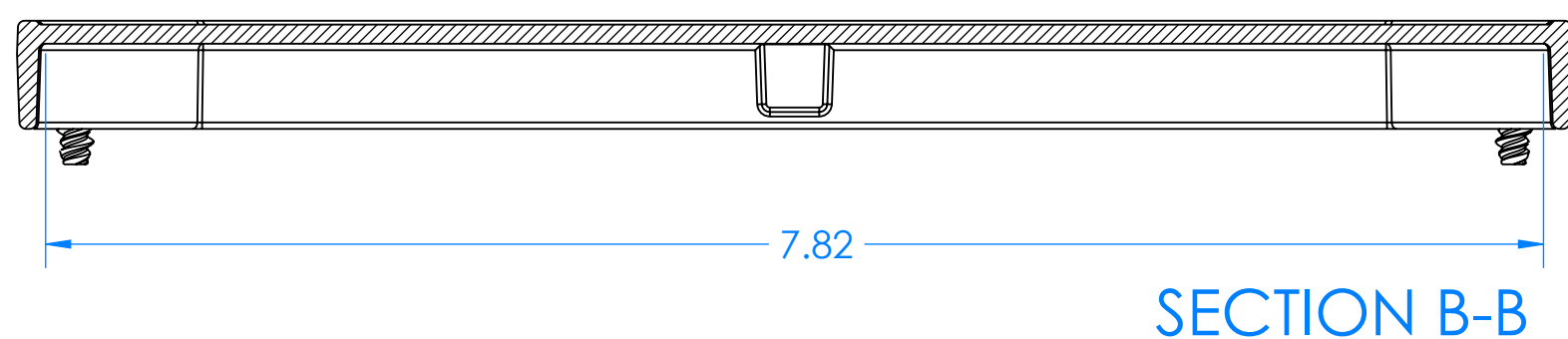
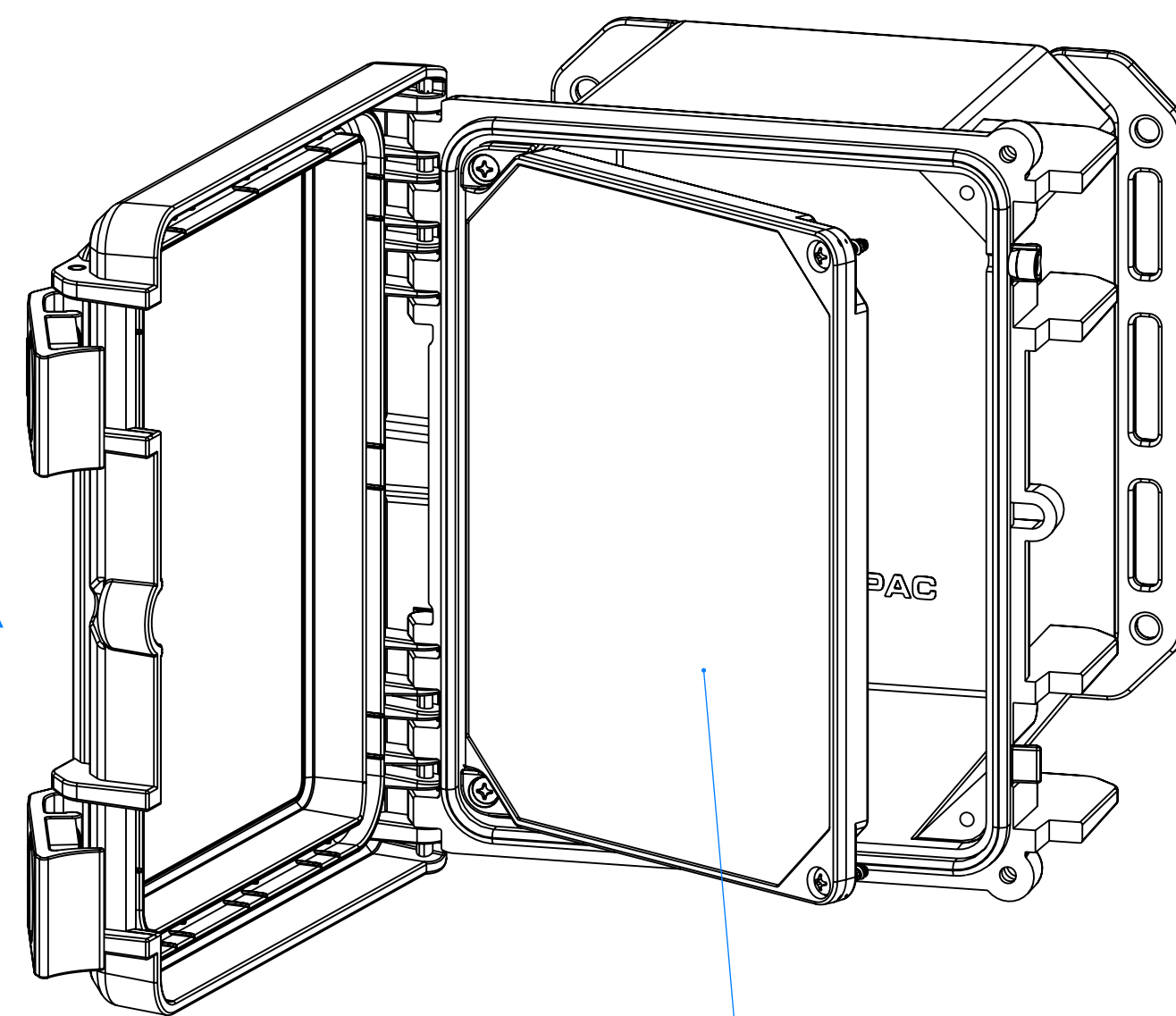
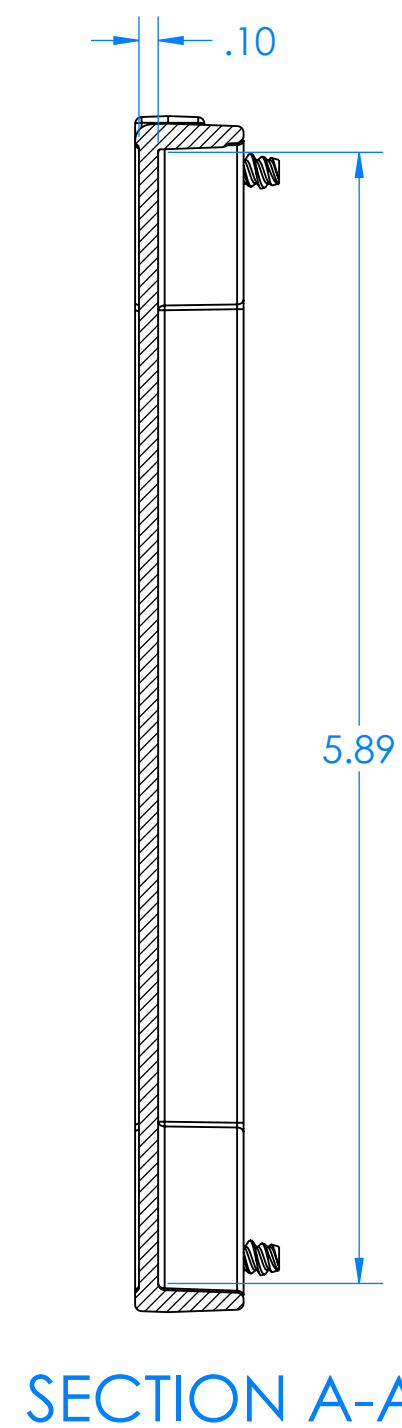
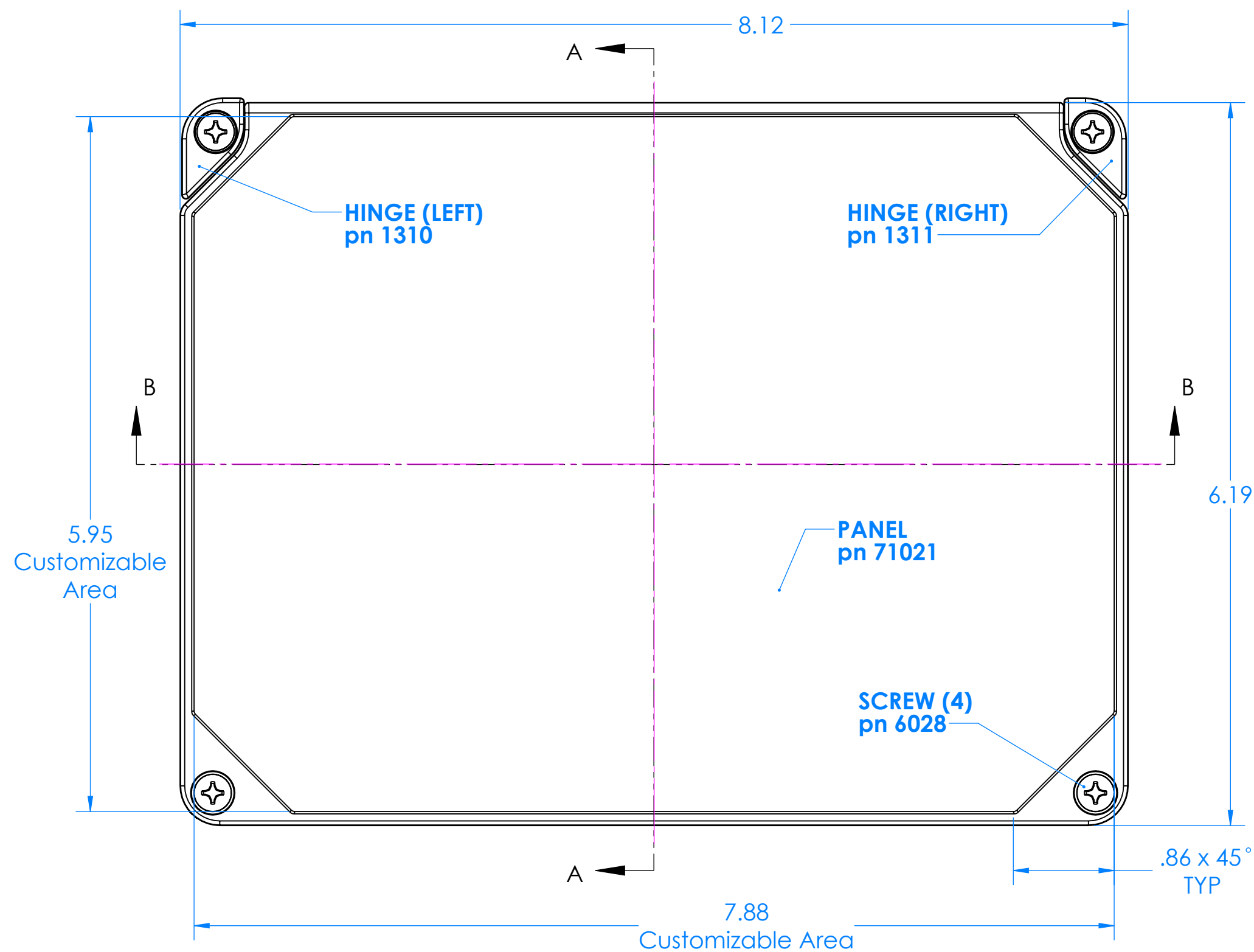
# 71020 Aluminum Hinged Top Panel

## I142HL, I152HL and I152HS





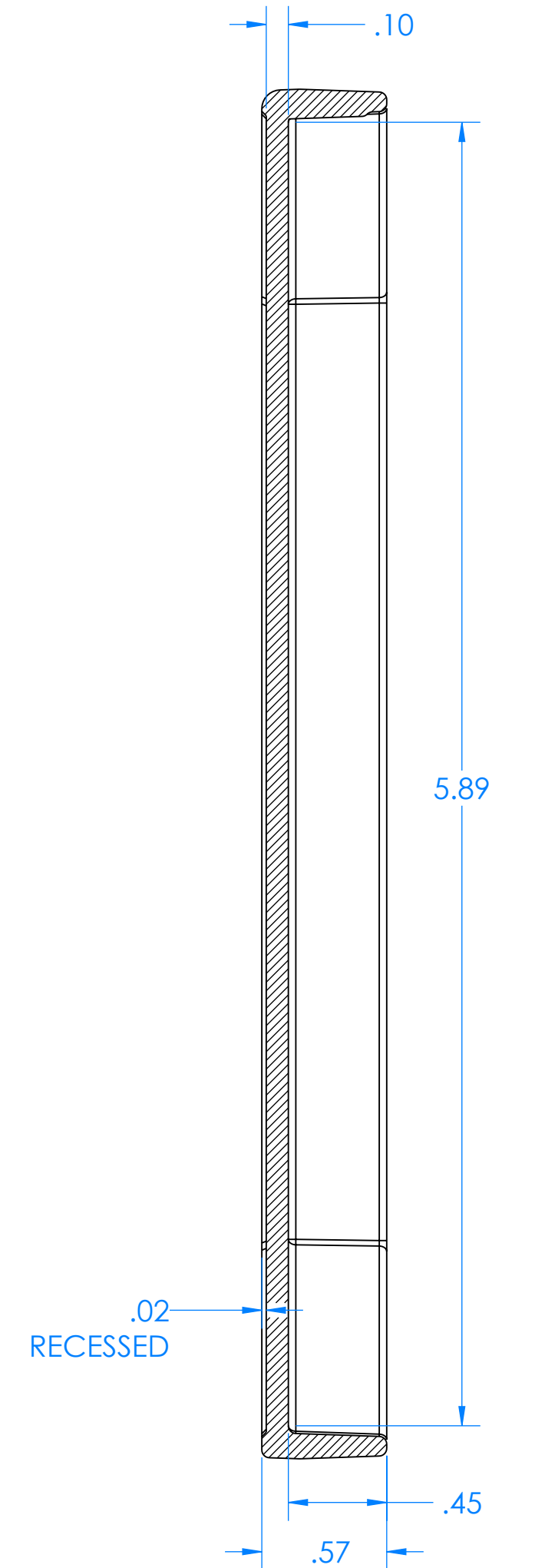
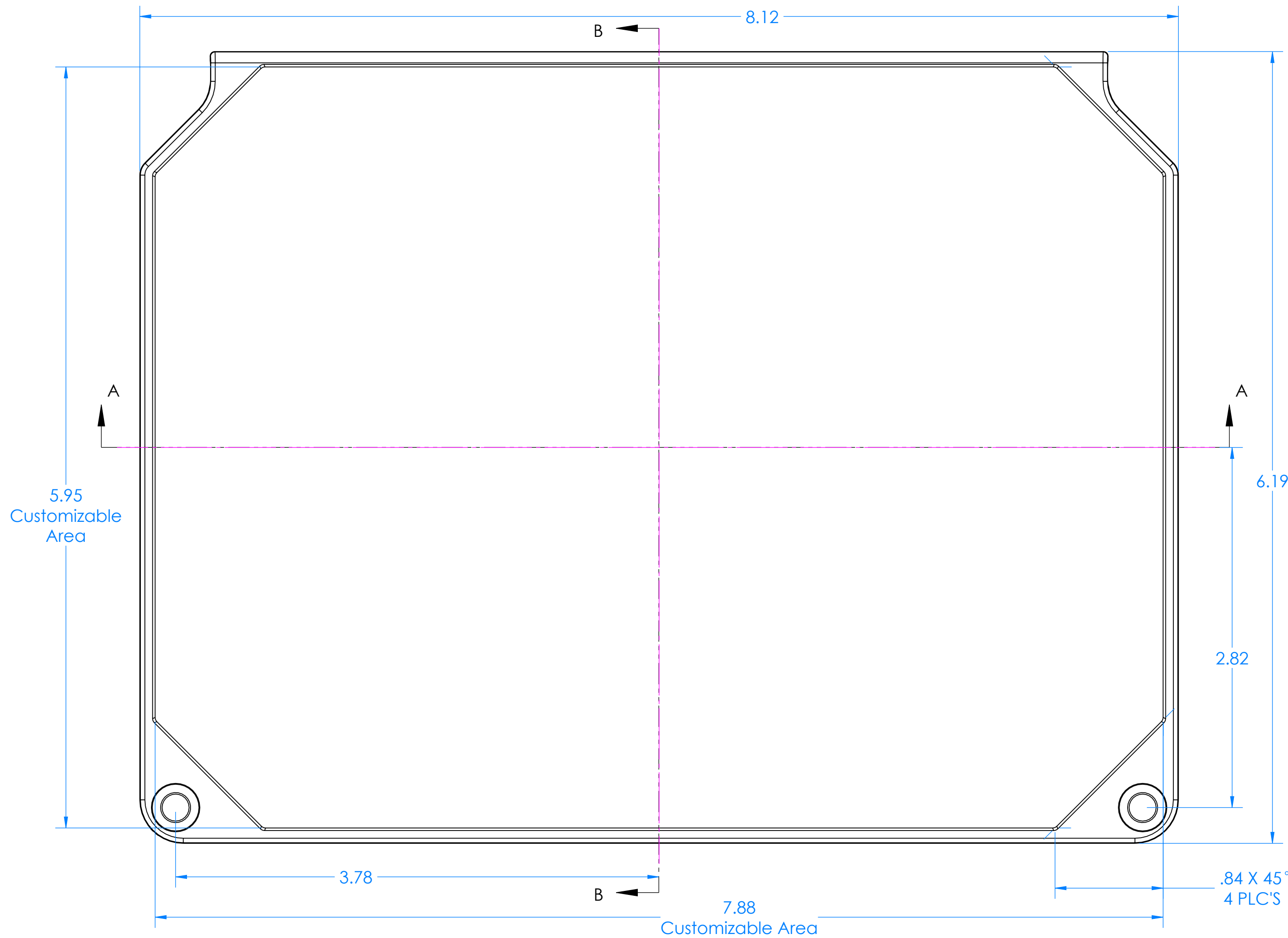
# 7100HP Plastic Hinged Top Panel Kit for I142HL, I152HL and I152HS



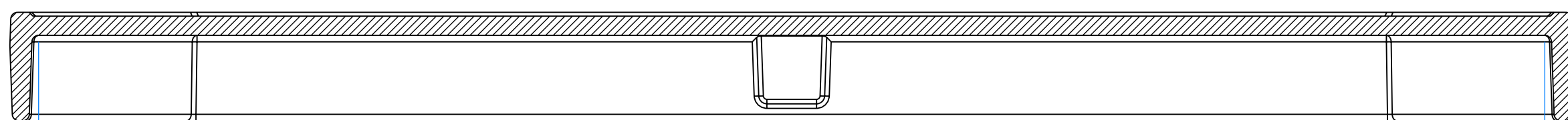
PART INCLUDED IN pn 7100HP		
P/N	Qty.	Description
71021	1	Plastic Hinged Top Panel
1310	1	Hinge - Left
1311	1	Hinge - Right
6028	4	SS #10 X 5/8" Pan Combo H/L Screw

# 71021 Plastic Hinged Top Panel

## I142HL, I152HL and I152HS



SECTION B-B



SECTION A-A