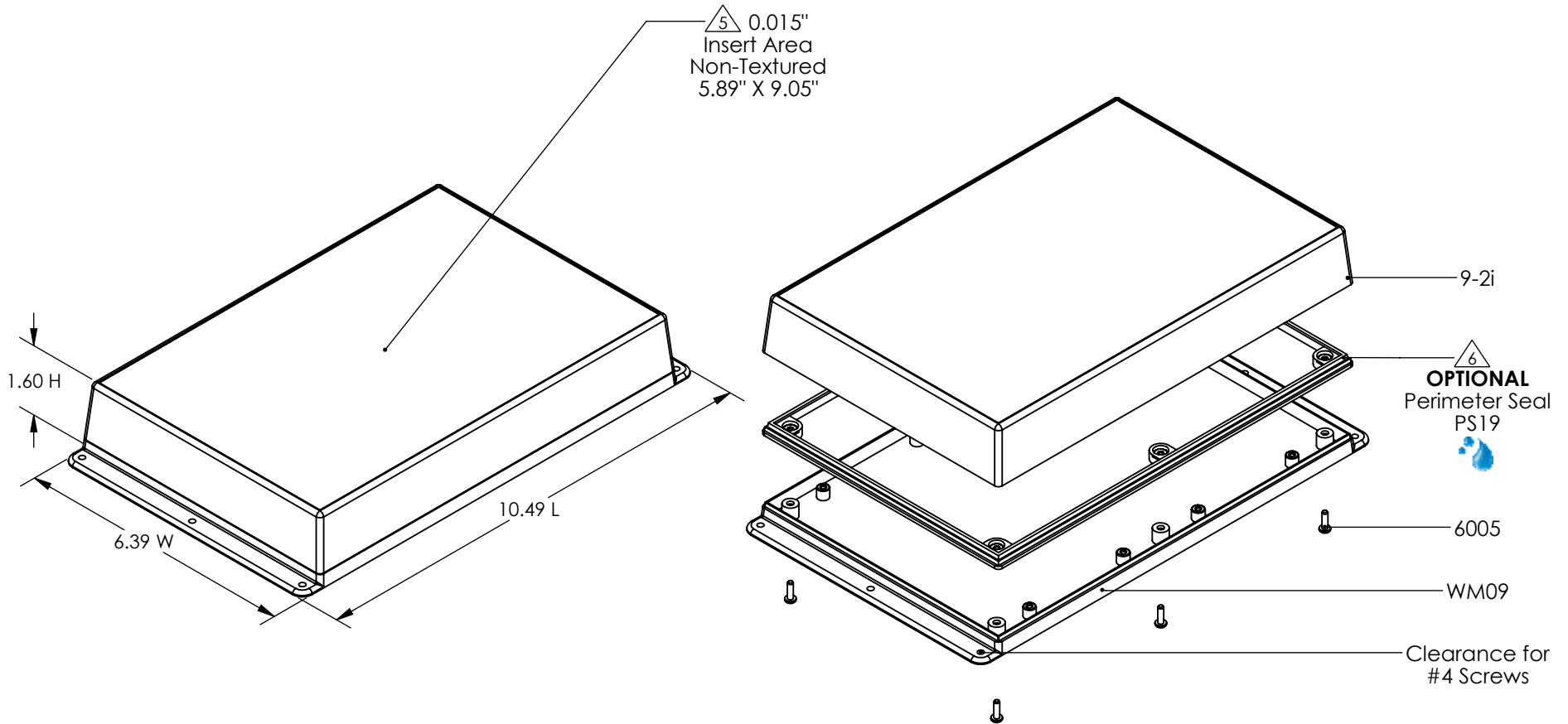


# SERPAC WM092i

ELECTRONIC ENCLOSURES



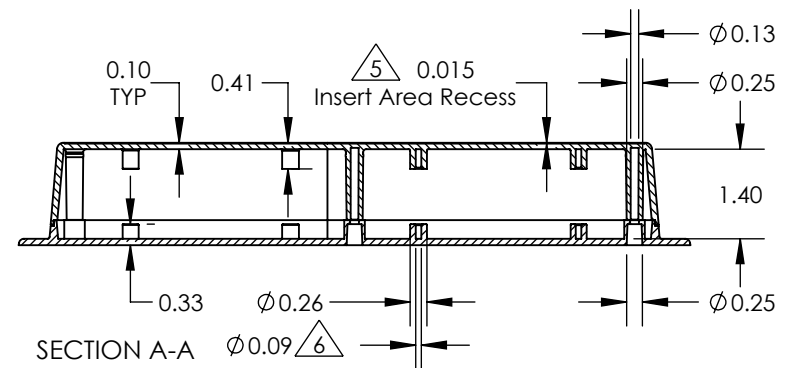
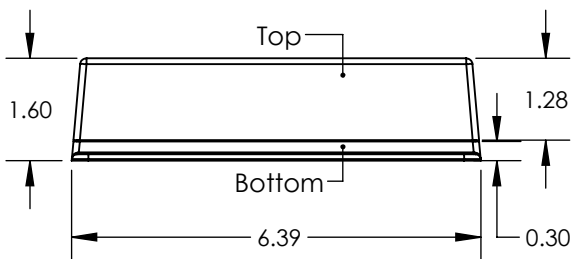
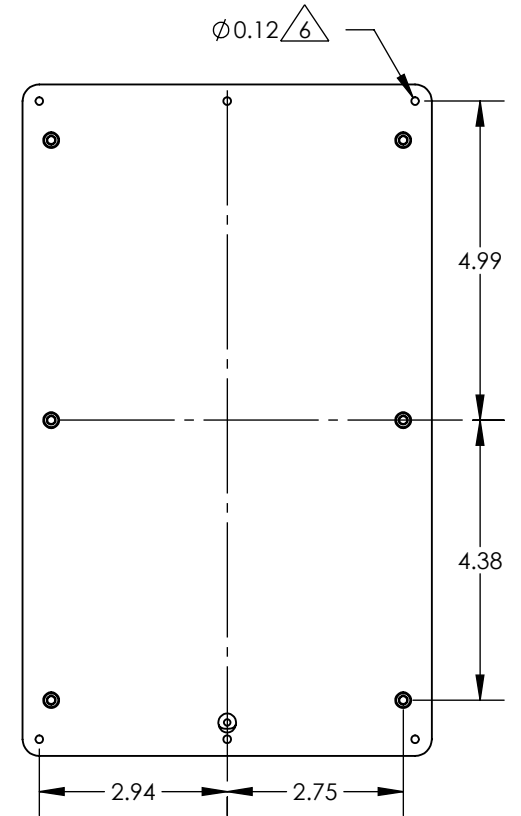
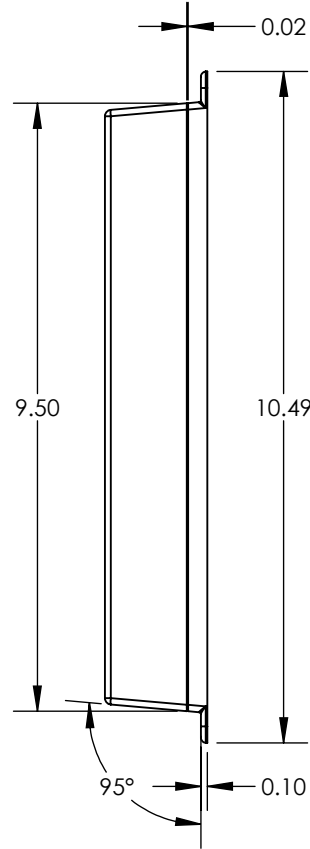
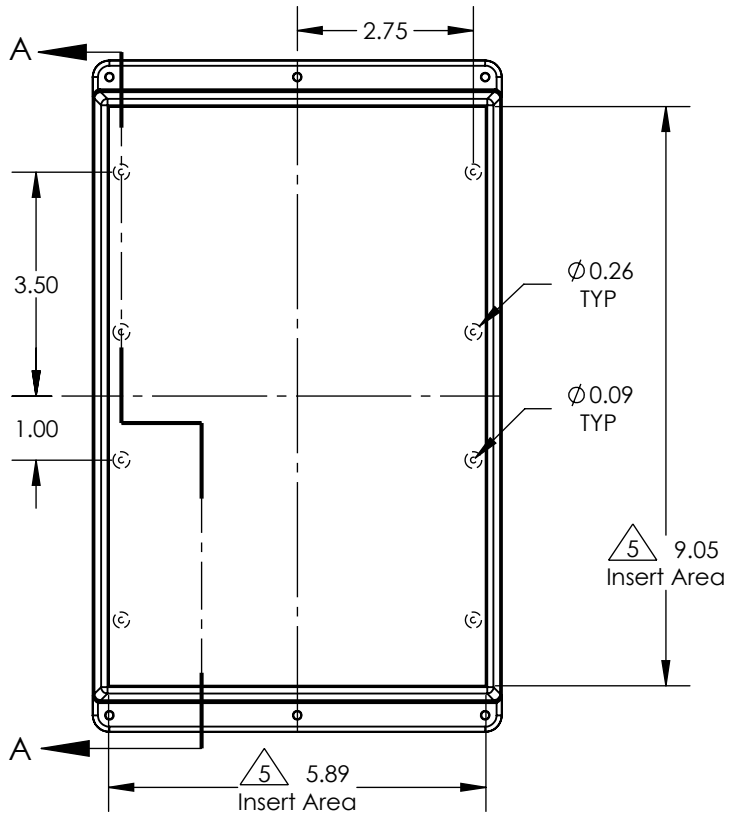
PART NO.	DESCRIPTION (Included)	ACCESSORIES (Optional)	
9-2i	Top	PART NO.	DESCRIPTION
WM09	Wall Mounted Bottom	60	Standoff Hole
6005	#4X3/8" Self-Tapping Screw (6)	61	Standoff Post
		PS19	Waterproof Perimeter Seal
		1040	2AA Battery Holder

Notes: Enclosure weight .65 lb / 296 g

- 1) Enclosure meets or exceeds IP40 and NEMA 1
- 2) Circuit Board drawings see sheet 3.
- 3) All components are RoHS Compliant.
- 4) Material: Top and Bottom ABS.
- 5) Customizable molding areas.  $\triangle 5$
- 6) When used with PS19 the enclosure meets or exceeds IP 67 and NEMA 4X, 12 and 13 MIL-STD-810G 506.5 (.04 lb / 19g)  $\triangle 6$

# SERPAC WM092i

ELECTRONIC ENCLOSURES



- Notes:
- Enclosure weight .65 lb / 296 g
  - 1) Enclosure meets or exceeds IP40 and NEMA 1
  - 2) Circuit Board drawings see sheet 3.
  - 3) All components are RoHS Compliant.
  - 4) Material: Top and Bottom ABS.
  - 5) Customizable molding areas.  $\triangle 5$
  - 6) Accepts #4 self tapping screw.  $\triangle 6$
  - 7) When used with PS19 the enclosure meets or exceeds IP 67 and NEMA 4X, 12 and 13 MIL-STD-810G 506.5 (.04 lb / 19g)

# SERPAC WM092i CIRCUIT BOARD

ELECTRONIC ENCLOSURES

## Top & Bottom Option

