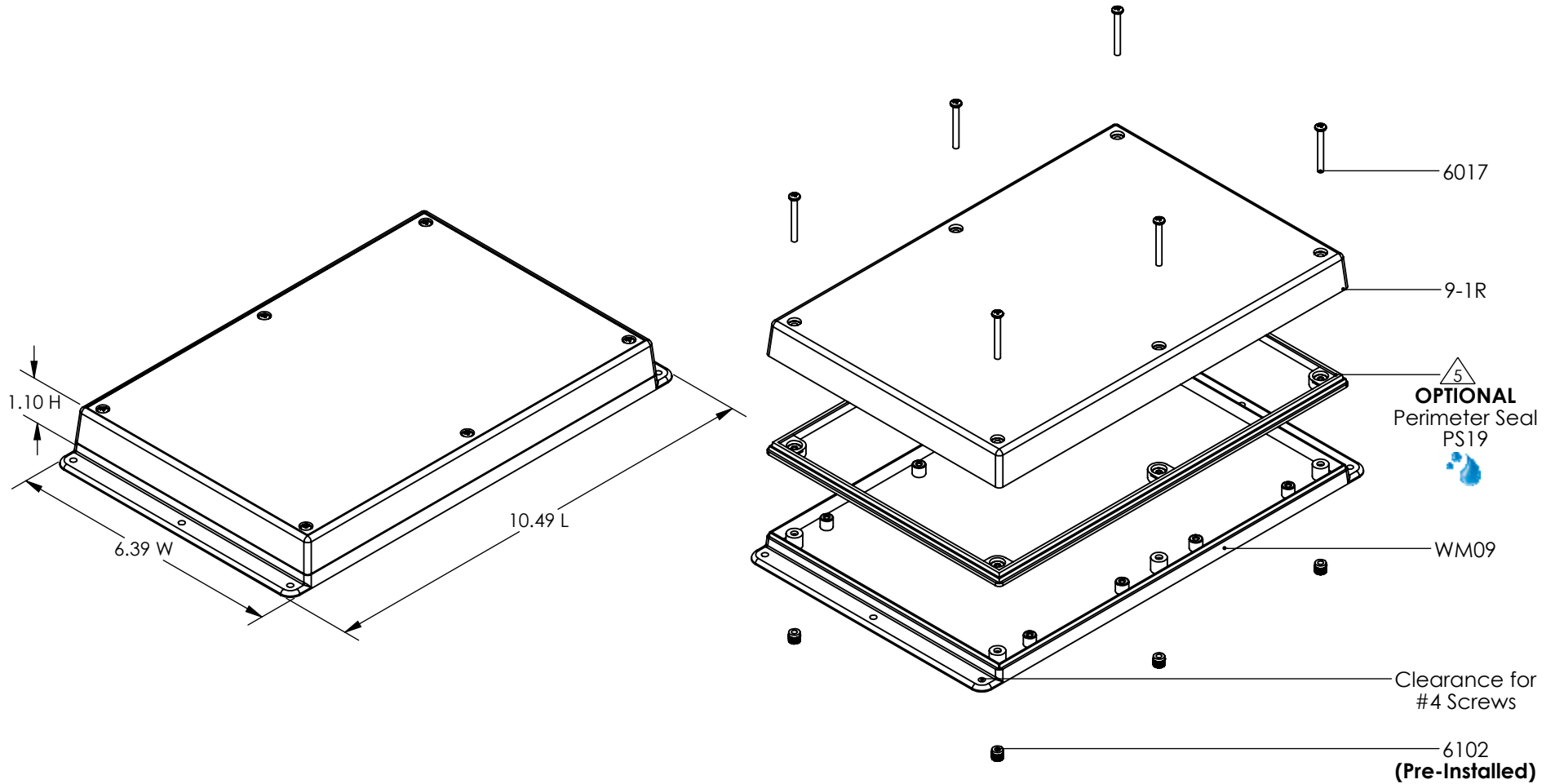


# SERPAC WM091R

ELECTRONIC ENCLOSURES

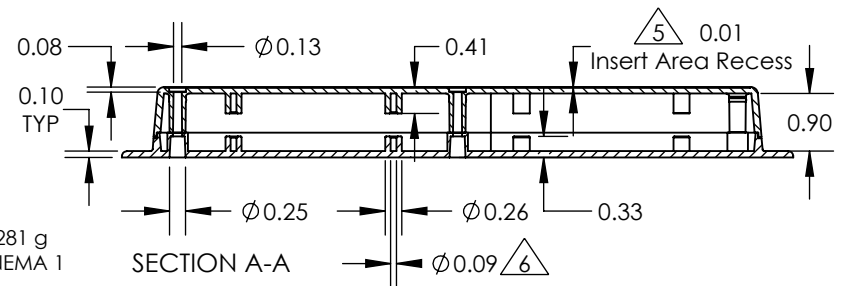
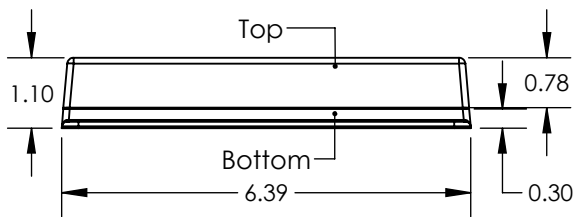
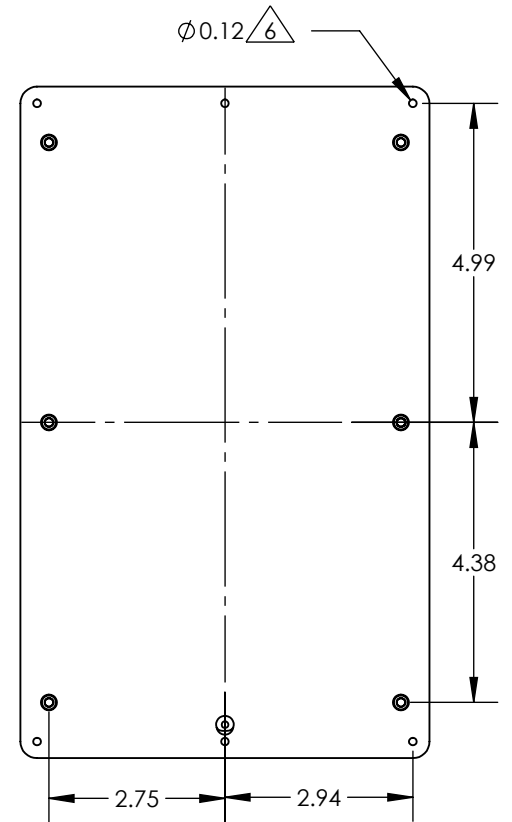
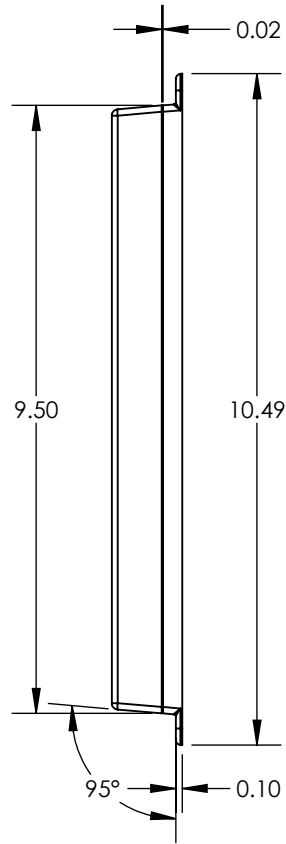
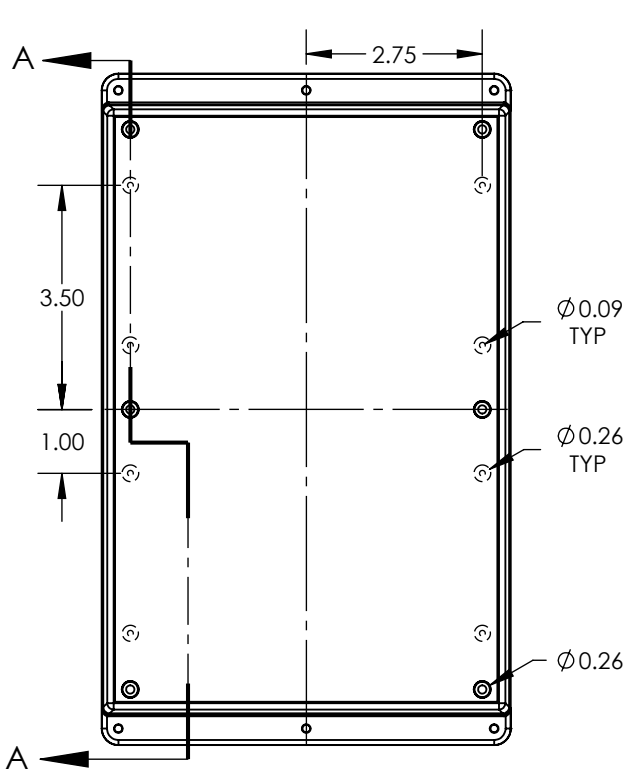


PART NO.	DESCRIPTION (Included)	ACCESSORIES (Optional)	
9-1R	Top	PART NO.	DESCRIPTION
WM09	Wall Mount Bottom	PS19	Waterproof Perimeter Seal
6017	4-40 x 1" Screw (6)	1040	2AA Battery Holder
6102	4-40 Threaded Inserts (6)	60	Standoff Hole
		61	Standoff Post

Notes: Enclosure weight .62 lb / 281 g  
 1) Enclosure meets or exceeds IP40 and NEMA 1  
 2) Circuit Board drawings see sheet 3.  
 3) All components are RoHS Compliant.  
 4) Material: Top and Bottom ABS.  
 5) When used with PS19 the enclosure meets or exceeds IP 67 and NEMA 4X, 12 and 13 MIL-STD-810G 506.5 (.04 lb / 19g)

# SERPAC WM091R

ELECTRONIC ENCLOSURES



- Notes:
- Enclosure weight .62 lb / 281 g
  - 1) Enclosure meets or exceeds IP40 and NEMA 1
  - 2) Circuit Board drawings see sheet 3.
  - 3) All components are RoHS Compliant.
  - 4) Material: Top and Bottom ABS.
  - 5) When used with PS19 the enclosure meets or exceeds IP 67 and NEMA 4X, 12 and 13 MIL-STD-810G 506.5 (.04 lb / 19g)
  - 6) Accepts #4 self tapping screw.  $\triangle 6$

# SERPAC WM091R CIRCUIT BOARD

ELECTRONIC ENCLOSURES

## Top & Bottom Option

