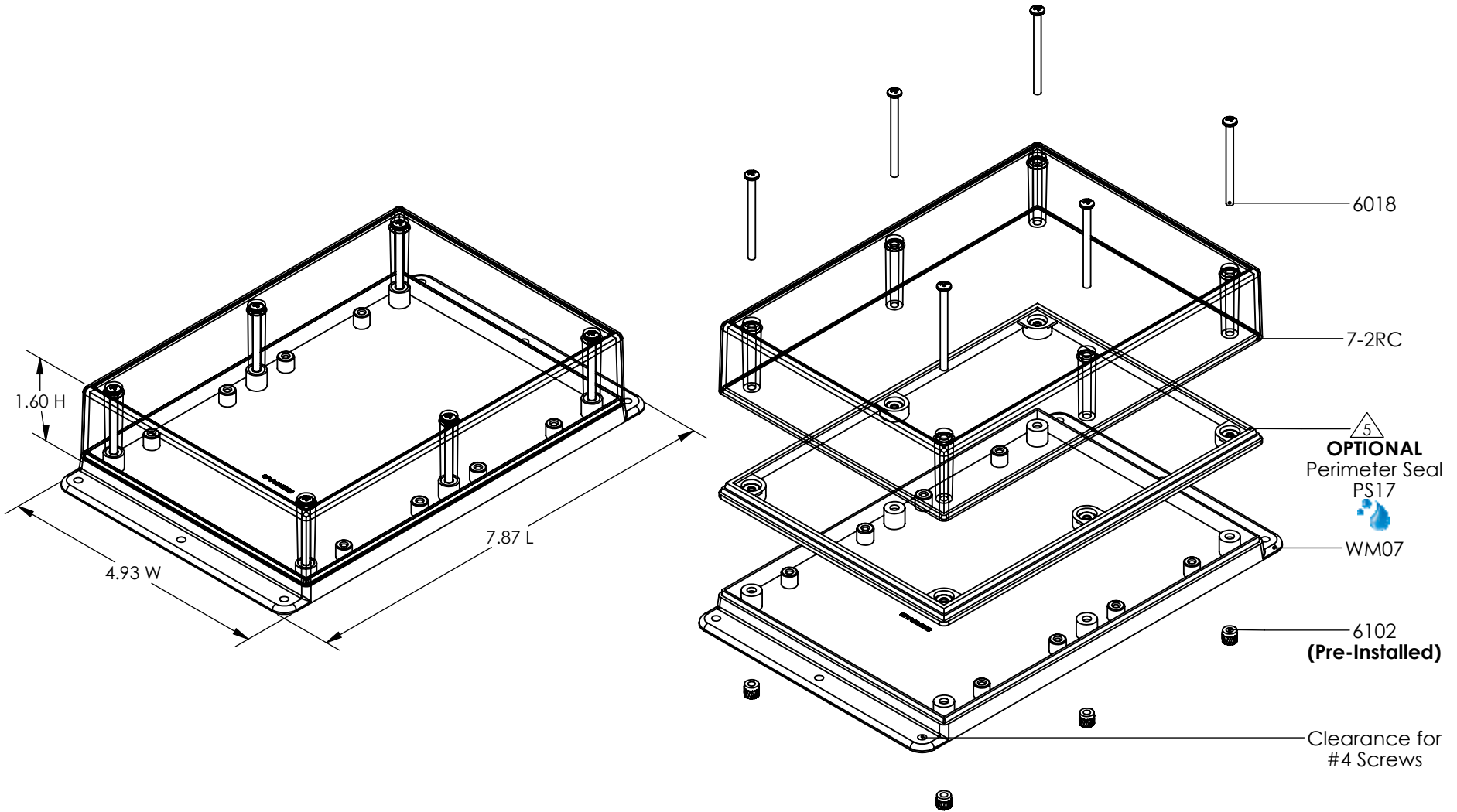


SERPAC WM072RC

ELECTRONIC ENCLOSURES

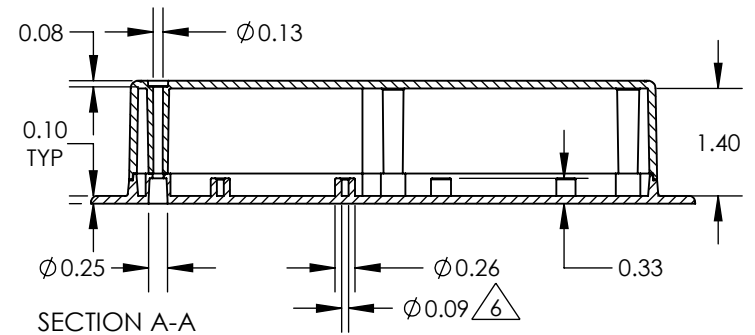
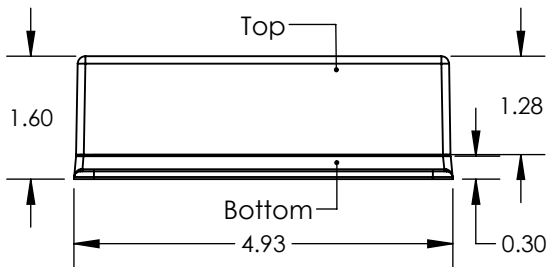
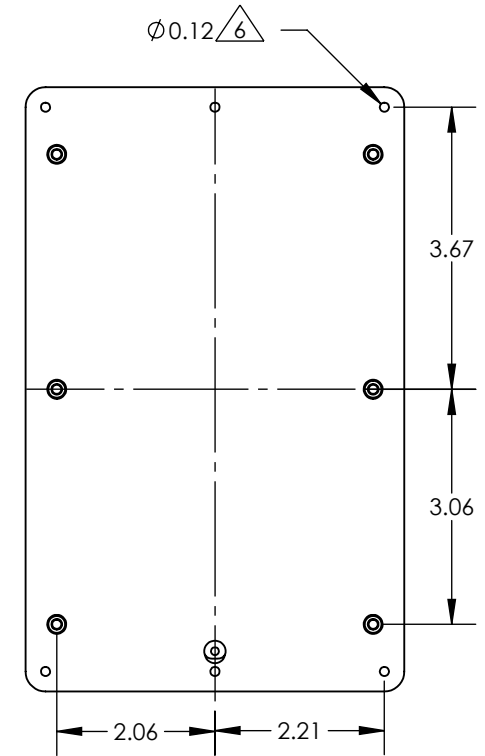
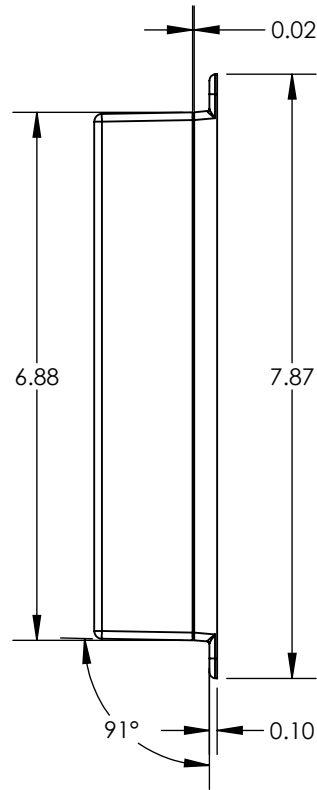
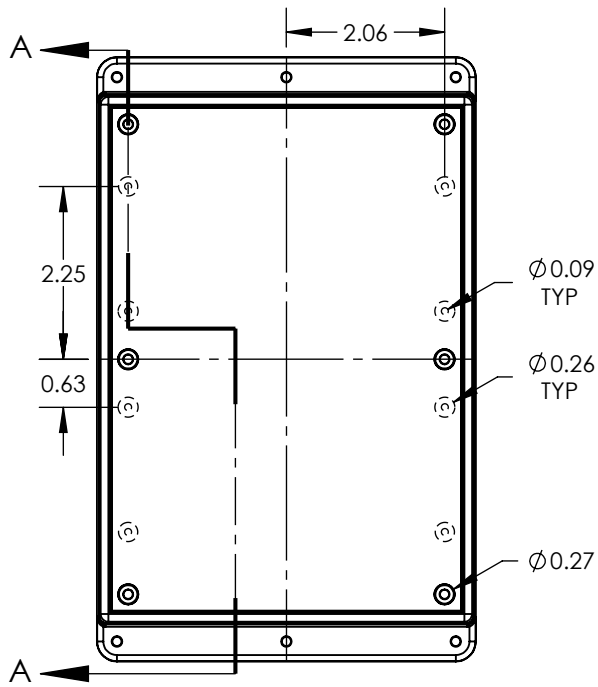


PART NO.	DESCRIPTION (Included)	ACCESSORIES (Optional)	
7-2RC	Clear Top	PART NO.	DESCRIPTION
WM07	Wall Mount Bottom	PS17	Waterproof Perimeter Seal
6018	4-40 x 1 1/2" Screw (6)	1040	2AA Battery Holder
6102	4-40 Threaded Inserts (6)	60	Standoff Hole
		61	Standoff Post

Notes: Enclosure weight .47 lb / 215 g
 1) Enclosure meets or exceeds IP40 and NEMA 1
 2) Circuit Board drawings see sheet 3.
 3) All components are RoHS Compliant.
 4) Material: Top PC and Bottom ABS.
 5) When used with PS17 the enclosure meets or exceeds IP 67 and NEMA 4X, 12 and 13 MIL-STD-810G 506.5 (.03 lb / 14g)

SERPAC WM072RC

ELECTRONIC ENCLOSURES



- Notes:
- Enclosure weight .47 lb / 215 g
 - 1) Enclosure meets or exceeds IP40 and NEMA 1
 - 2) Circuit Board drawings see sheet 3.
 - 3) All components are RoHS Compliant.
 - 4) Material: Top PC and Bottom ABS.
 - 5) When used with PS17 the enclosure meets or exceeds IP 67 and NEMA 4X, 12 and 13 MIL-STD-810G 506.5 (.03 lb / 14g)
 - 6) Accepts #4 self tapping screw. $\triangle 6$

SERPAC WM072RC CIRCUIT BOARD

ELECTRONIC ENCLOSURES

Bottom Option

