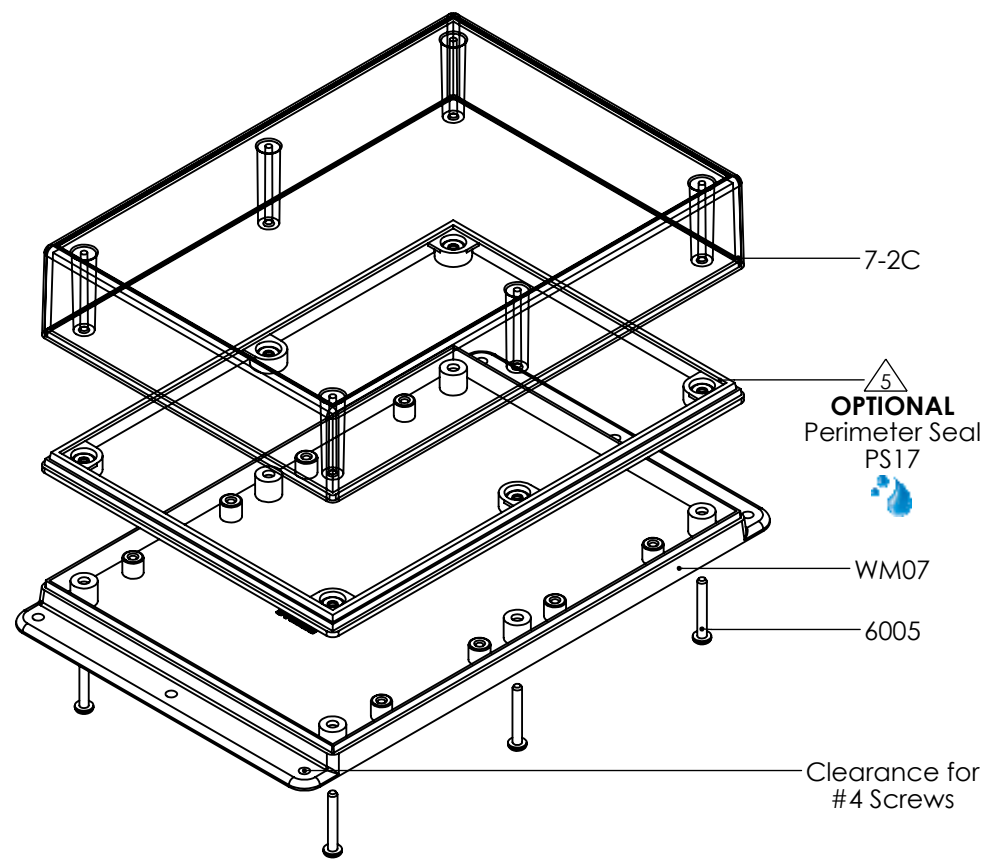
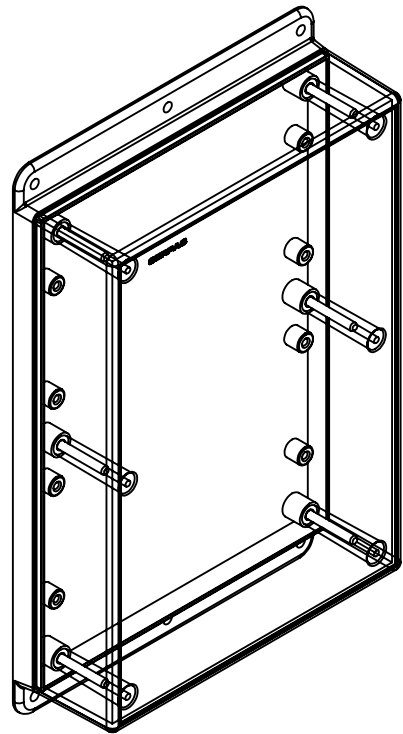


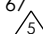
SERPAC WM072C

ELECTRONIC ENCLOSURES



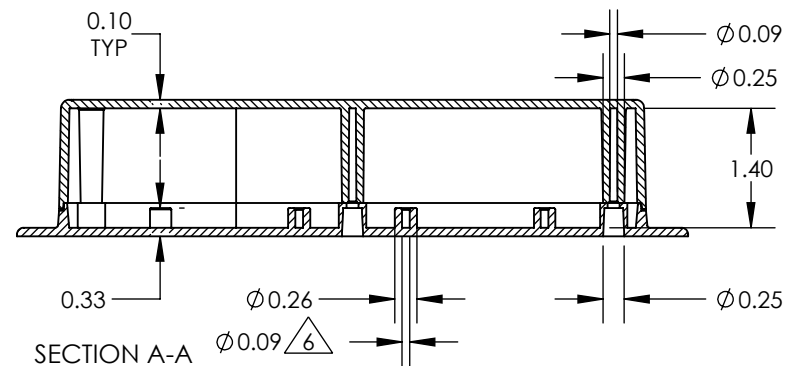
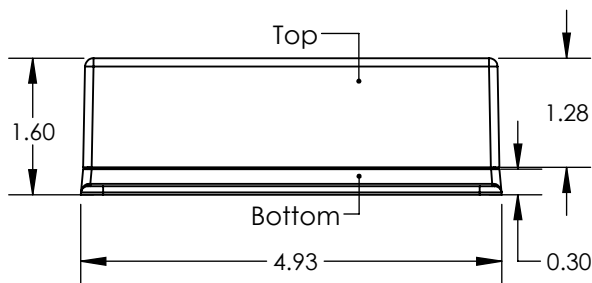
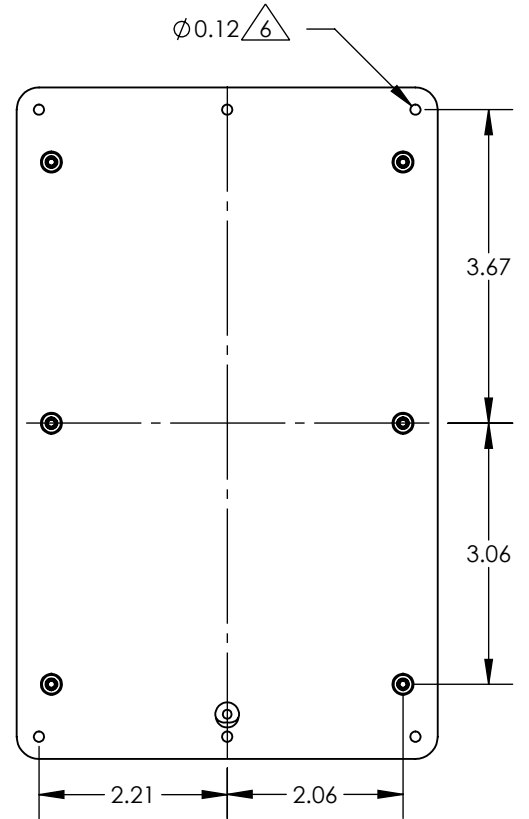
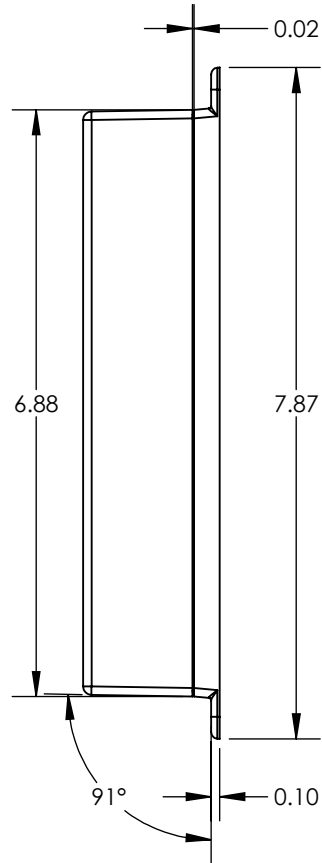
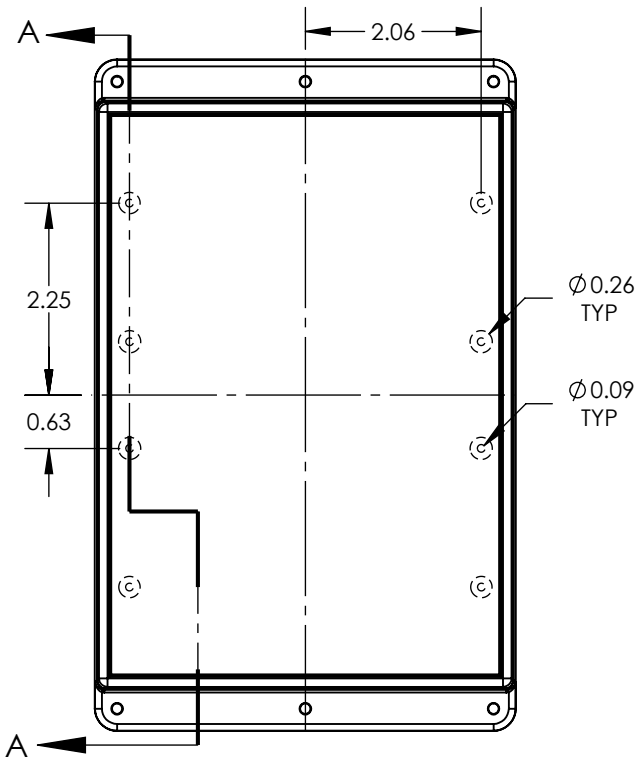
PART NO.	DESCRIPTION (Included)	ACCESSORIES (Optional)	
7-2C	Top	PART NO.	DESCRIPTION
WM07	Wall Mounted Bottom	60	Standoff Hole
6005	#4X3/8" Self-Tapping Screw (6)	61	Standoff Post
		PS17	Waterproof Perimeter Seal
		1040	2AA Battery Holder

Notes: Enclosure weight .45 lb / 203 g

- 1) Enclosure meets or exceeds IP40 and NEMA 1
- 2) Circuit Board drawings see sheet 3.
- 3) All components are RoHS Compliant.
- 4) Material: Top PC and Bottom ABS.
- 5) When used with PS17 the enclosure meets or exceeds IP 67 and NEMA 4X, 12 and 13 MIL-STD-810G 506.5 (.03 lb / 14g) 

SERPAC WM072C

ELECTRONIC ENCLOSURES



- Notes: Enclosure weight .45 lb / 203 g
- 1) Enclosure meets or exceeds IP40 and NEMA 1
 - 2) Circuit Board drawings see sheet 3.
 - 3) All components are RoHS Compliant.
 - 4) Material: Top PC and Bottom ABS.
 - 5) When used with PS17 the enclosure meets or exceeds IP 67 and NEMA 4X, 12 and 13 MIL-STD-810G 506.5 (.03 lb / 14g)
 - 6) Accepts #4 self tapping screw. $\triangle 6$

Bottom Option

