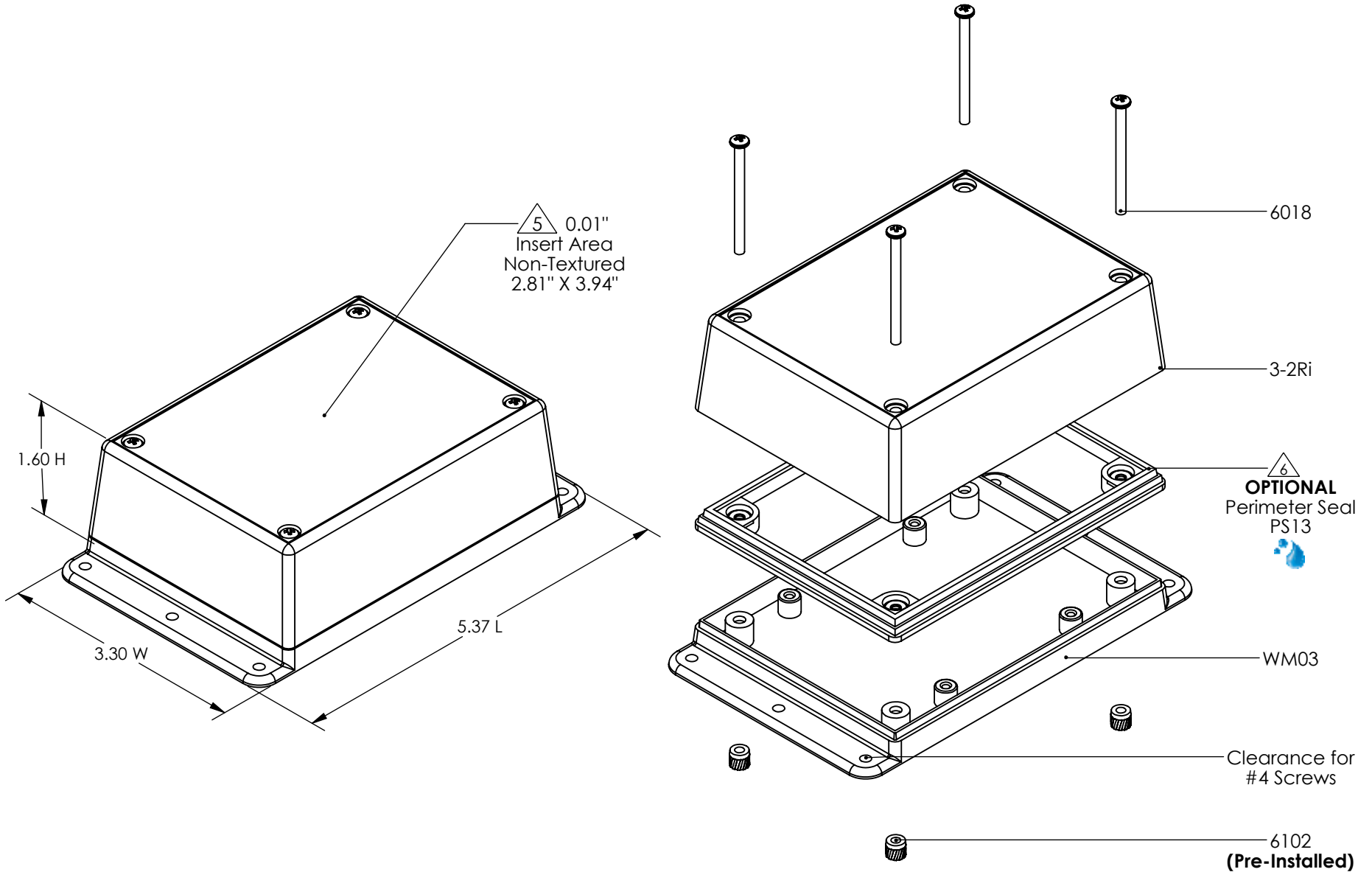


# SERPAC WM032Ri

ELECTRONIC ENCLOSURES



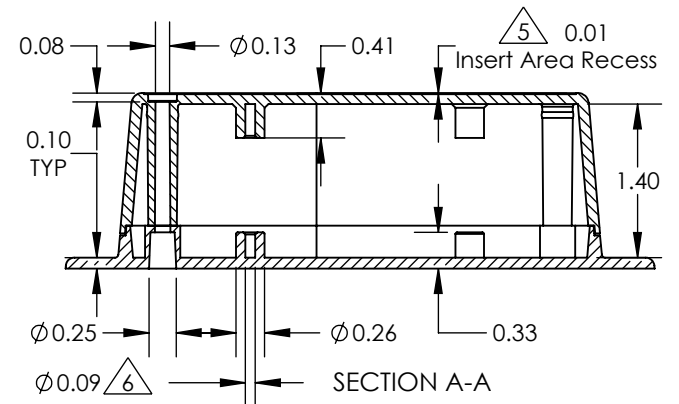
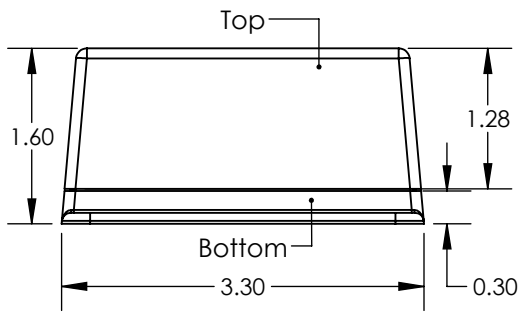
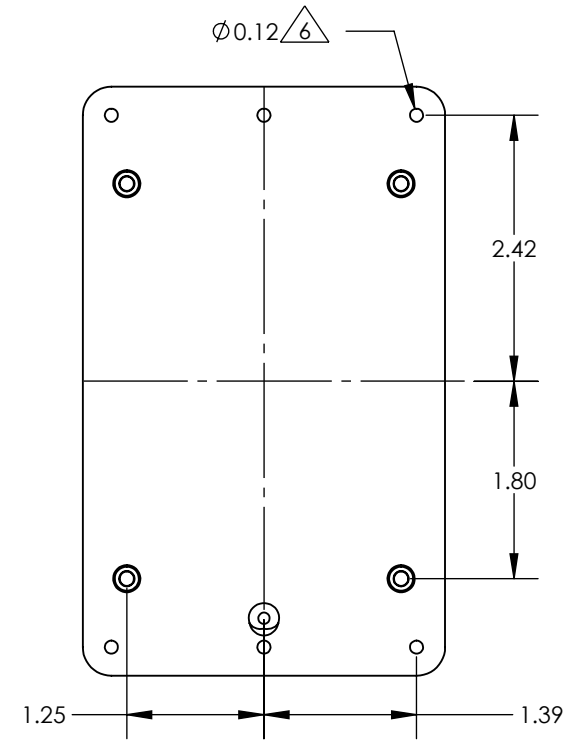
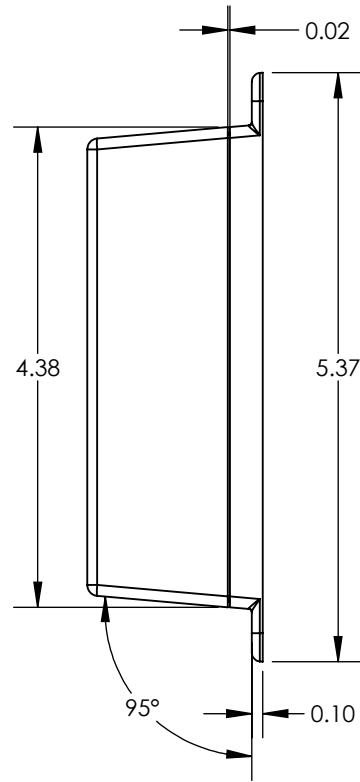
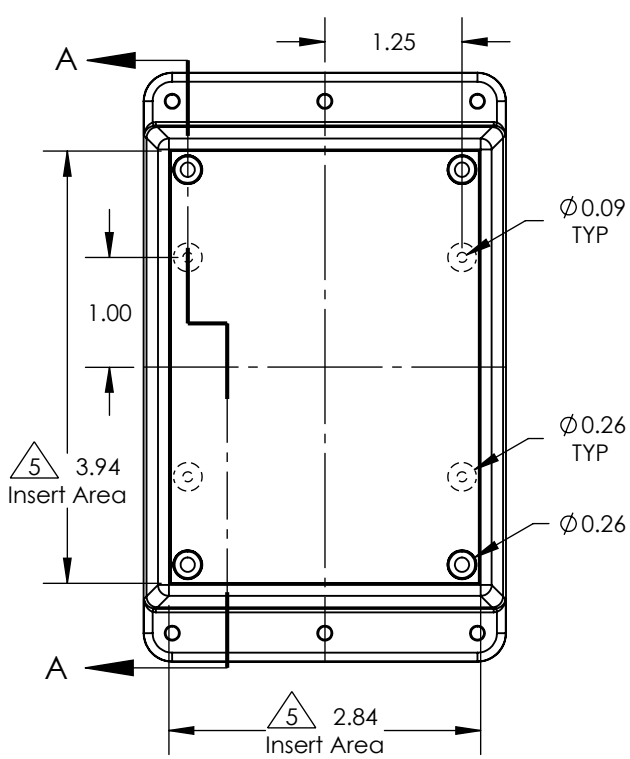
Notes: Enclosure weight .22 lb / 102 g

- 1) Enclosure meets or exceeds IP40 and NEMA 1
- 2) Circuit Board drawings see sheet 3.
- 3) All components are RoHS Compliant.
- 4) Material: Top and Bottom ABS.
- 5) Customizable molding areas.
- 6) When used with PS13 the enclosure meets or exceeds IP 67 and NEMA 4X, 12 and 13 MIL-STD-810G 506.5 (.02 lb / 10g)

PART NO.	DESCRIPTION (Included)	ACCESSORIES (Optional)	
3-2Ri	Top	PART NO.	DESCRIPTION
WM03	Wall Mount Bottom	PS13	Waterproof Perimeter Seal
6018	4-40 x 1 1/2" Screw (4)	1040	2AA Battery Holder
6102	4-40 Threaded Inserts (4)	60	Standoff Hole
		61	Standoff Post

# SERPAC WM032Ri

ELECTRONIC ENCLOSURES



- Notes:
- 1) Enclosure meets or exceeds IP40 and NEMA 1
  - 2) Circuit Board drawings see sheet 3.
  - 3) All components are RoHS Compliant.
  - 4) Material: Top and Bottom ABS.
  - 5) Customizable molding areas.  $\triangle 5$
  - 6) Accepts #4 self tapping screw.  $\triangle 6$
  - 7) When used with PS13 the enclosure meets or exceeds IP 67 and NEMA 4X, 12 and 13 MIL-STD-810G 506.5 (.02 lb / 10g)

# SERPAC WM032Ri CIRCUIT BOARD

ELECTRONIC ENCLOSURES

## Top & Bottom Option

