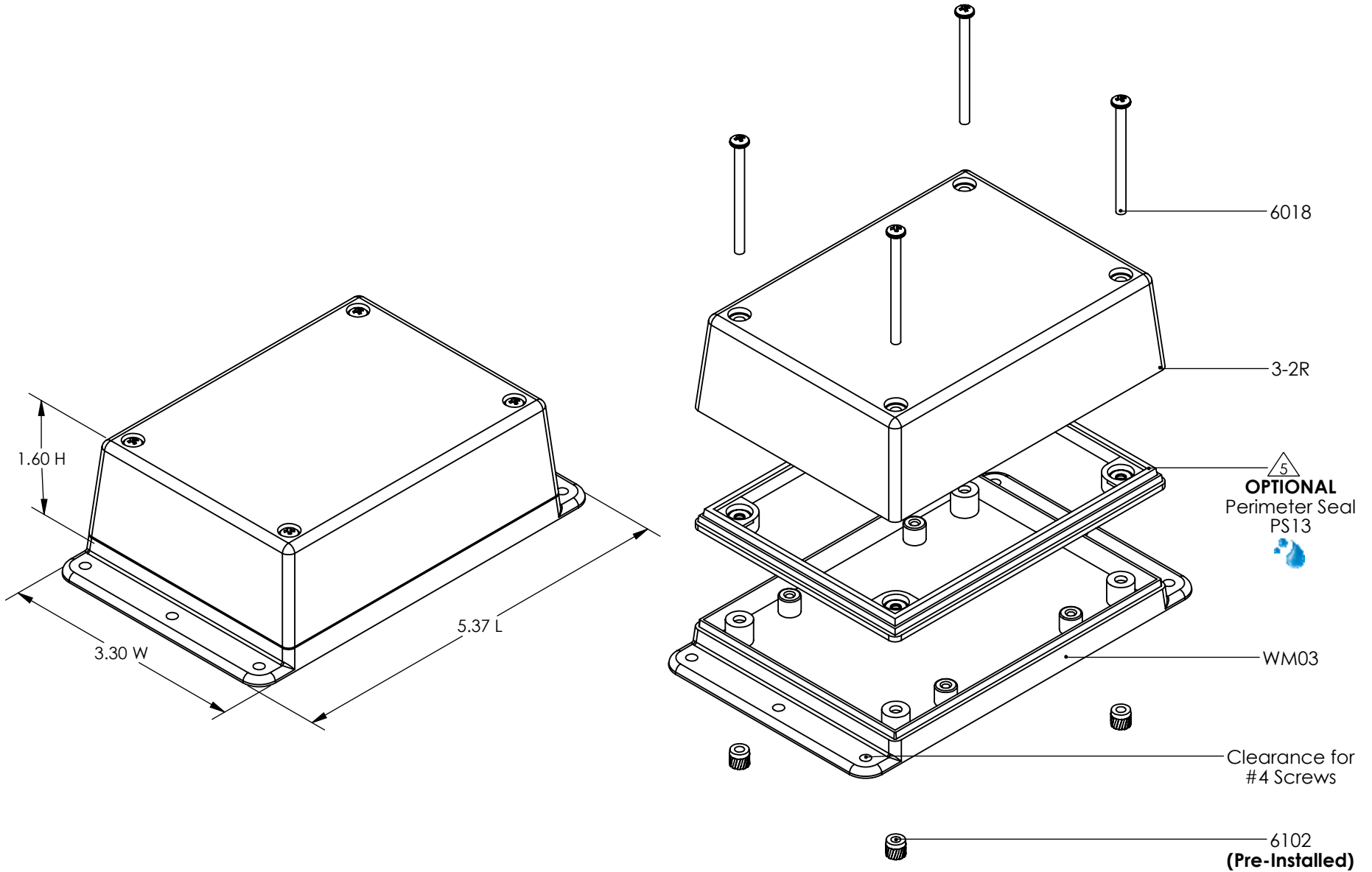


SERPAC WM032R

ELECTRONIC ENCLOSURES

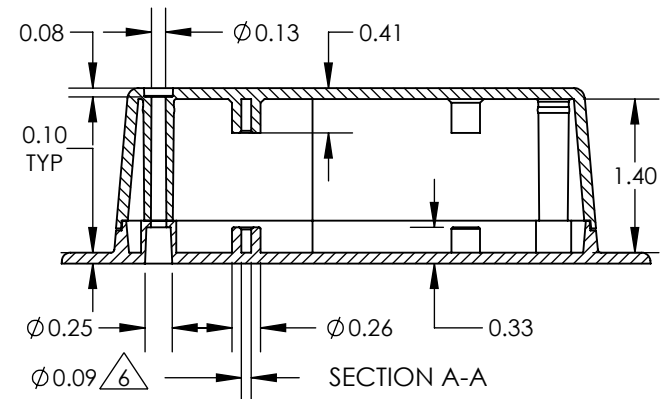
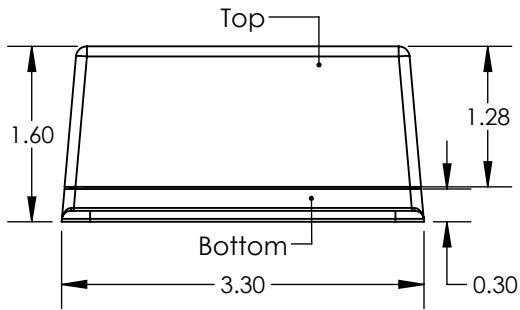
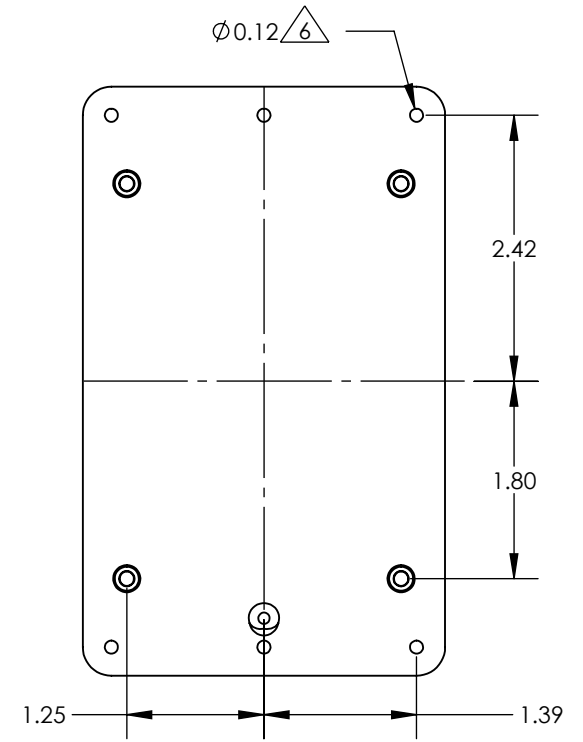
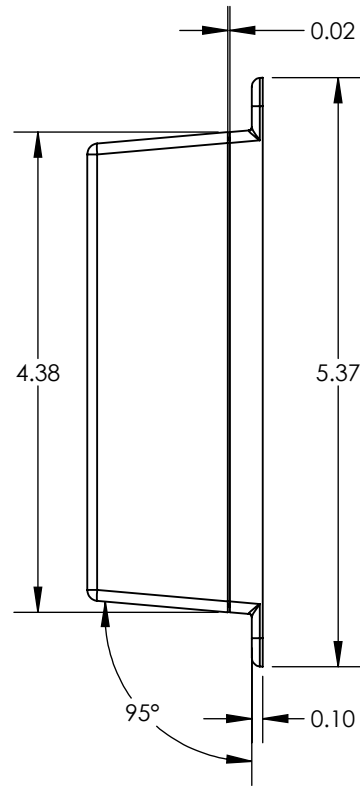
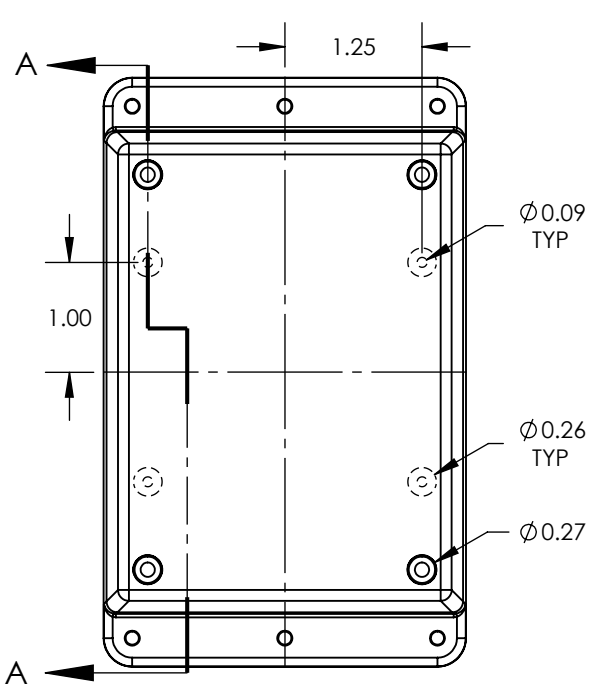


PART NO.	DESCRIPTION (Included)	ACCESSORIES (Optional)	
3-2R	Top	PART NO.	DESCRIPTION
WM03	Wall Mount Bottom	PS13	Waterproof Perimeter Seal
6018	4-40 x 1 1/2" Screw (4)	1040	2AA Battery Holder
6102	4-40 Threaded Inserts (4)	60	Standoff Hole
		61	Standoff Post

Notes: Enclosure weight .22 lb / 102 g
 1) Enclosure meets or exceeds IP40 and NEMA 1
 2) Circuit Board drawings see sheet 3.
 3) All components are RoHS Compliant.
 4) Material: Top and Bottom ABS.
 5) When used with PS13 the enclosure meets or exceeds IP 67 and NEMA 4X, 12 and 13 MIL-STD-810G 506.5 (.02 lb / 10g)

SERPAC WM032R

ELECTRONIC ENCLOSURES



- Notes:
- 1) Enclosure weight .22 lb / 102 g
 - 2) Enclosure meets or exceeds IP40 and NEMA 1
 - 3) Circuit Board drawings see sheet 3.
 - 4) All components are RoHS Compliant.
 - 5) Material: Top and Bottom ABS.
 - 6) When used with PS13 the enclosure meets or exceeds IP 67 and NEMA 4X, 12 and 13 MIL-STD-810G 506.5 (.02 lb / 10g)
 - 7) Accepts #4 self tapping screw. $\triangle 6$

SERPAC WM032R CIRCUIT BOARD

ELECTRONIC ENCLOSURES

Top & Bottom Option

