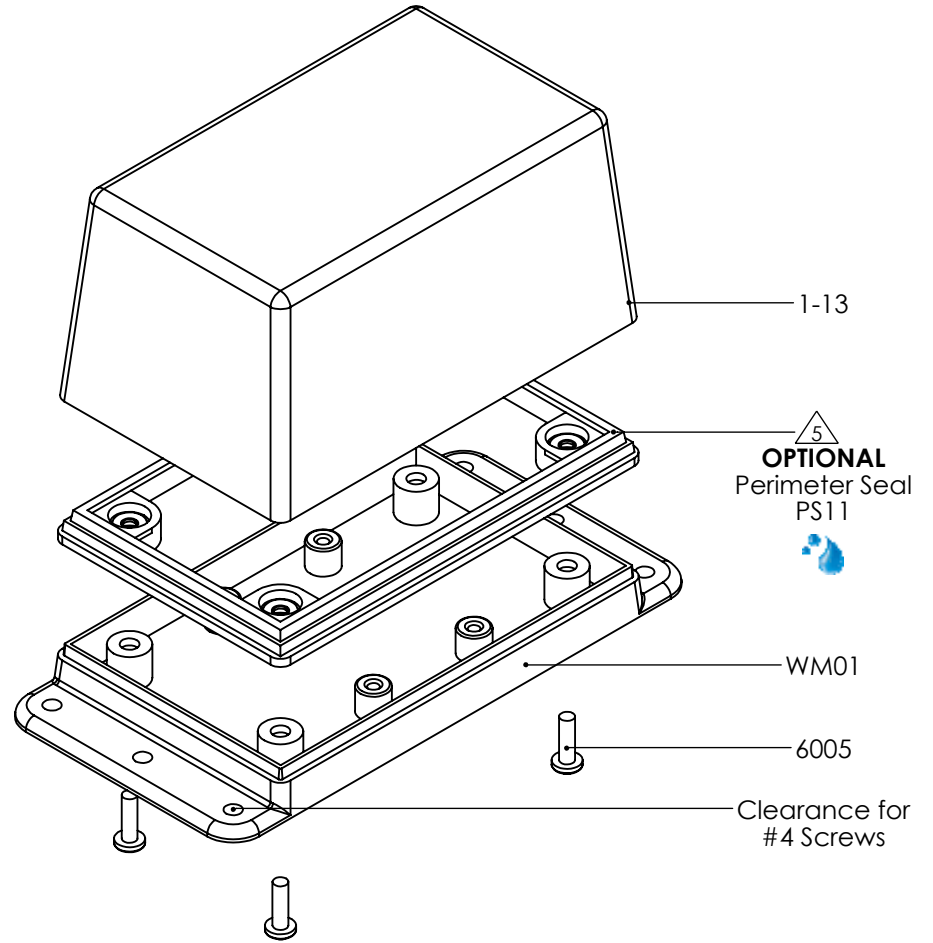
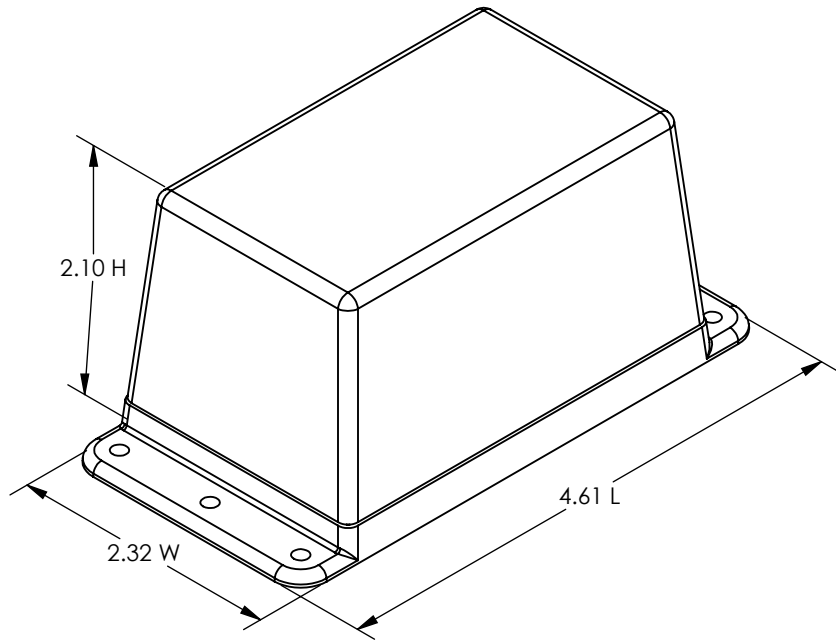
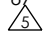


# SERPAC WM013

ELECTRONIC ENCLOSURES

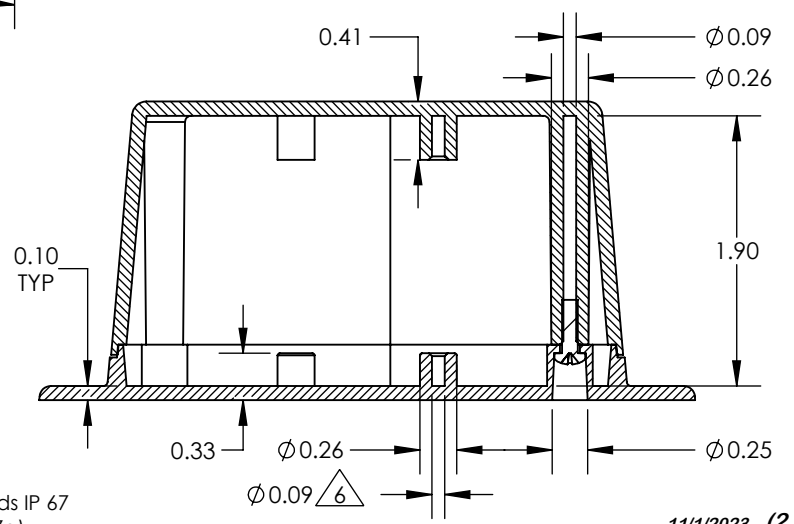
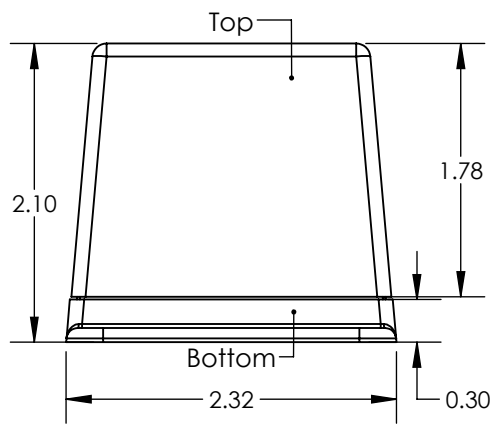
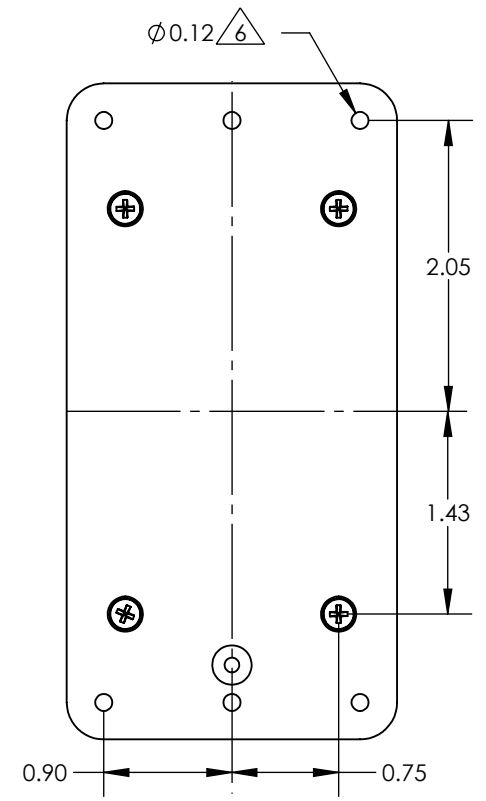
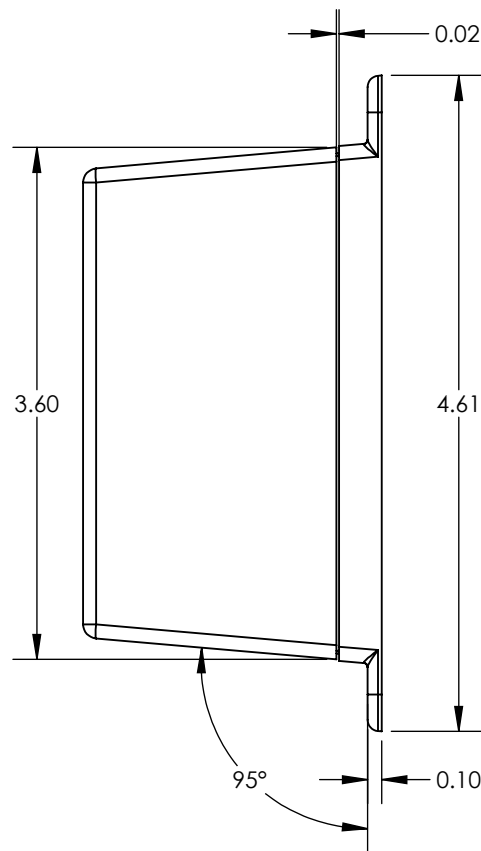
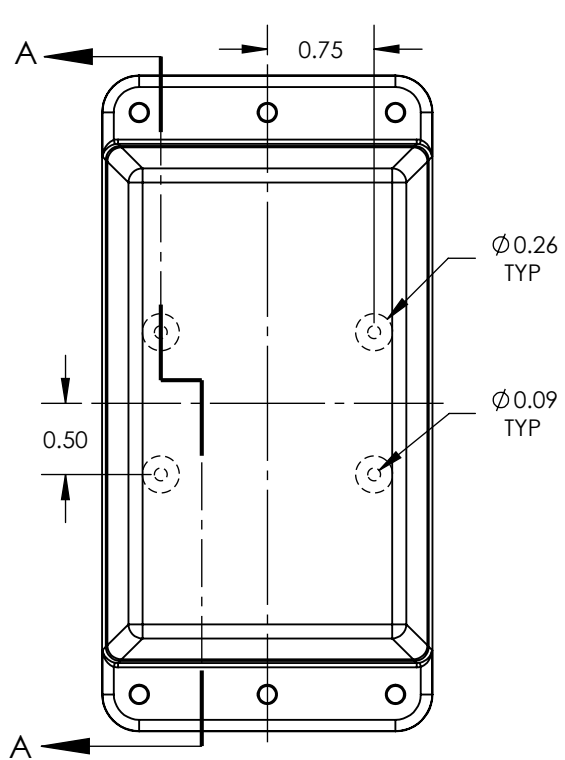


PART NO.	DESCRIPTION (Included)	ACCESSORIES (Optional)	
1-3	Top	PART NO.	DESCRIPTION
WM01	Wall Mounted Bottom	60	Standoff Hole
6005	#4X3/8" Self-Tapping Screw (4)	61	Standoff Post
		PS11	Waterproof Perimeter Seal

Notes: Enclosure weight .16 lb / 71 g  
 1) Enclosure meets or exceeds IP40 and NEMA 1  
 2) Circuit Board drawings see sheet 3.  
 3) All components are RoHS Compliant.  
 4) Material: Top and Bottom ABS.  
 5) When used with PS11 the enclosure meets or exceeds IP 67 and NEMA 4X, 12 and 13 MIL-STD-810G 506.5 (.01 lb / 7g) 

# SERPAC WM013

ELECTRONIC ENCLOSURES



- Notes:
- Enclosure weight .16 lb / 71 g
  - 1) Enclosure meets or exceeds IP40 and NEMA 1
  - 2) Circuit Board drawings see sheet 3.
  - 3) All components are RoHS Compliant.
  - 4) Material: Top and Bottom ABS.
  - 5) When used with PS11 the enclosure meets or exceeds IP 67 and NEMA 4X, 12 and 13 MIL-STD-810G 506.5 (.01 lb / 7g)
  - 6) Accepts #4 self tapping screw.  $\triangle 6$

SECTION A-A

# SERPAC WM013 CIRCUIT BOARD

ELECTRONIC ENCLOSURES

## Top & Bottom Option

