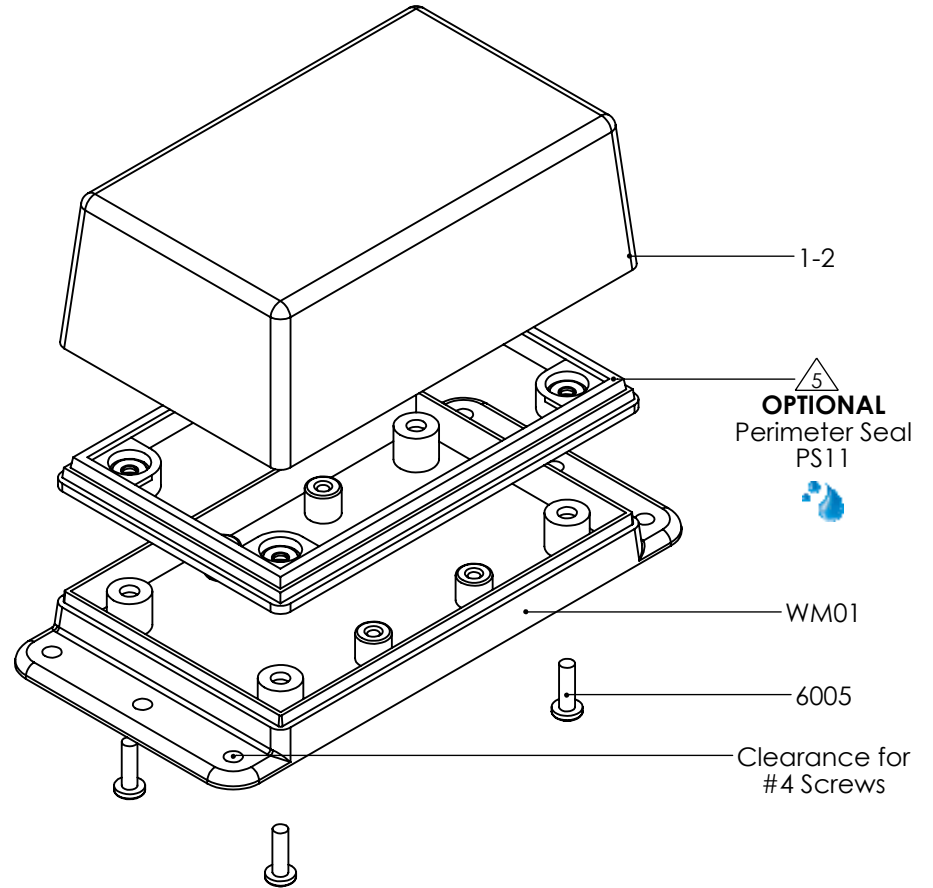
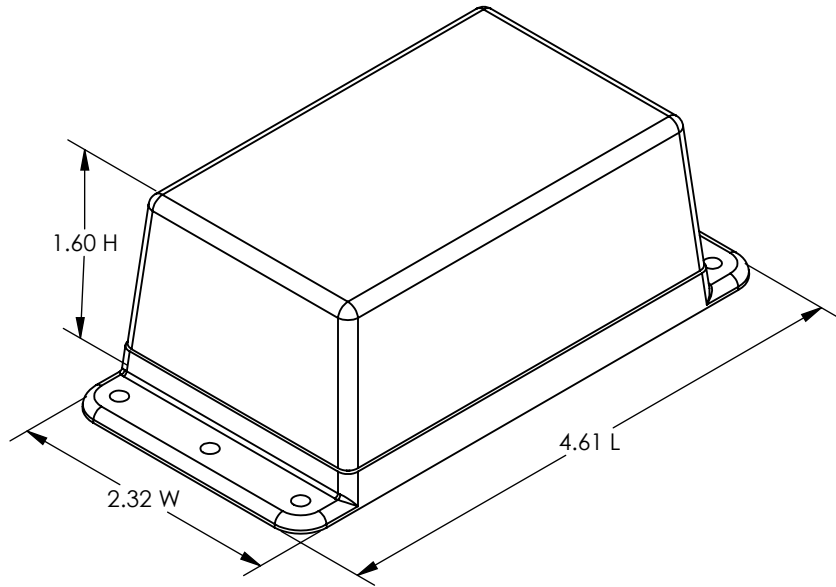
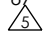


SERPAC WM012

ELECTRONIC ENCLOSURES

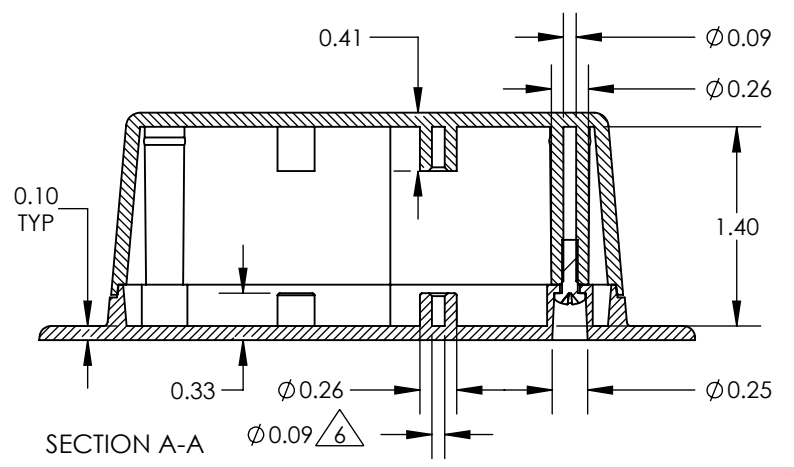
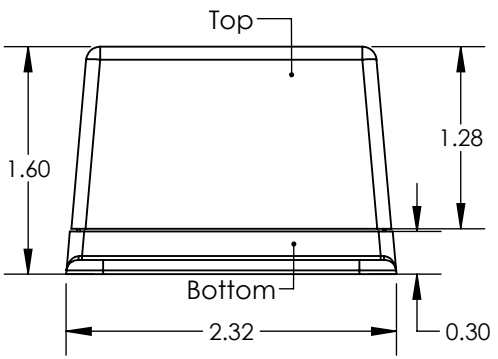
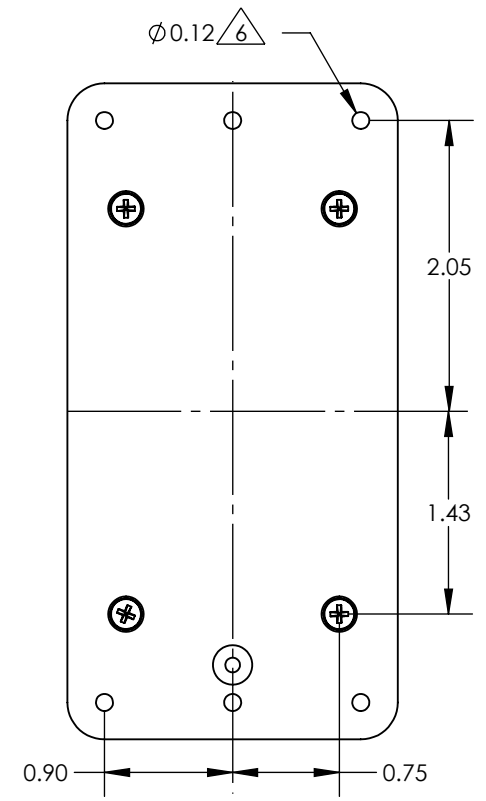
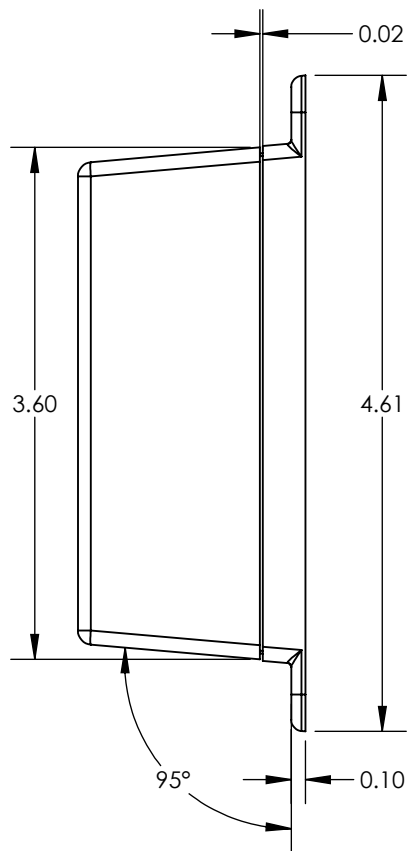
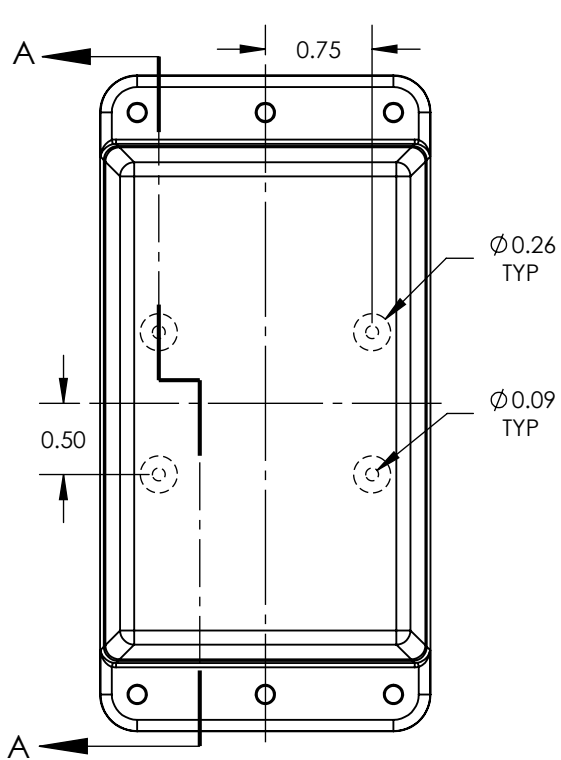


PART NO.	DESCRIPTION (Included)	ACCESSORIES (Optional)	
1-2	Top	PART NO.	DESCRIPTION
WM01	Wall Mounted Bottom	60	Standoff Hole
6005	#4X3/8" Self-Tapping Screw (4)	61	Standoff Post
		PS11	Waterproof Perimeter Seal

Notes: Enclosure weight .15 lb / 69 g
 1) Enclosure meets or exceeds IP40 and NEMA 1
 2) Circuit Board drawings see sheet 3.
 3) All components are RoHS Compliant.
 4) Material: Top and Bottom ABS.
 5) When used with PS11 the enclosure meets or exceeds IP 67 and NEMA 4X, 12 and 13 MIL-STD-810G 506.5 (.01 lb / 7g) 

SERPAC WM012

ELECTRONIC ENCLOSURES



- Notes:
- 1) Enclosure weight .15 lb / 69 g
 - 2) Enclosure meets or exceeds IP40 and NEMA 1
 - 3) Circuit Board drawings see sheet 3.
 - 4) All components are RoHS Compliant.
 - 5) Material: Top and Bottom ABS.
 - 6) When used with PS11 the enclosure meets or exceeds IP 67 and NEMA 4X, 12 and 13 MIL-STD-810G 506.5 (.01 lb / 7g)
 - 7) Accepts #4 self tapping screw. $\triangle 6$

SERPAC WM012 CIRCUIT BOARD

ELECTRONIC ENCLOSURES

Top & Bottom Option

