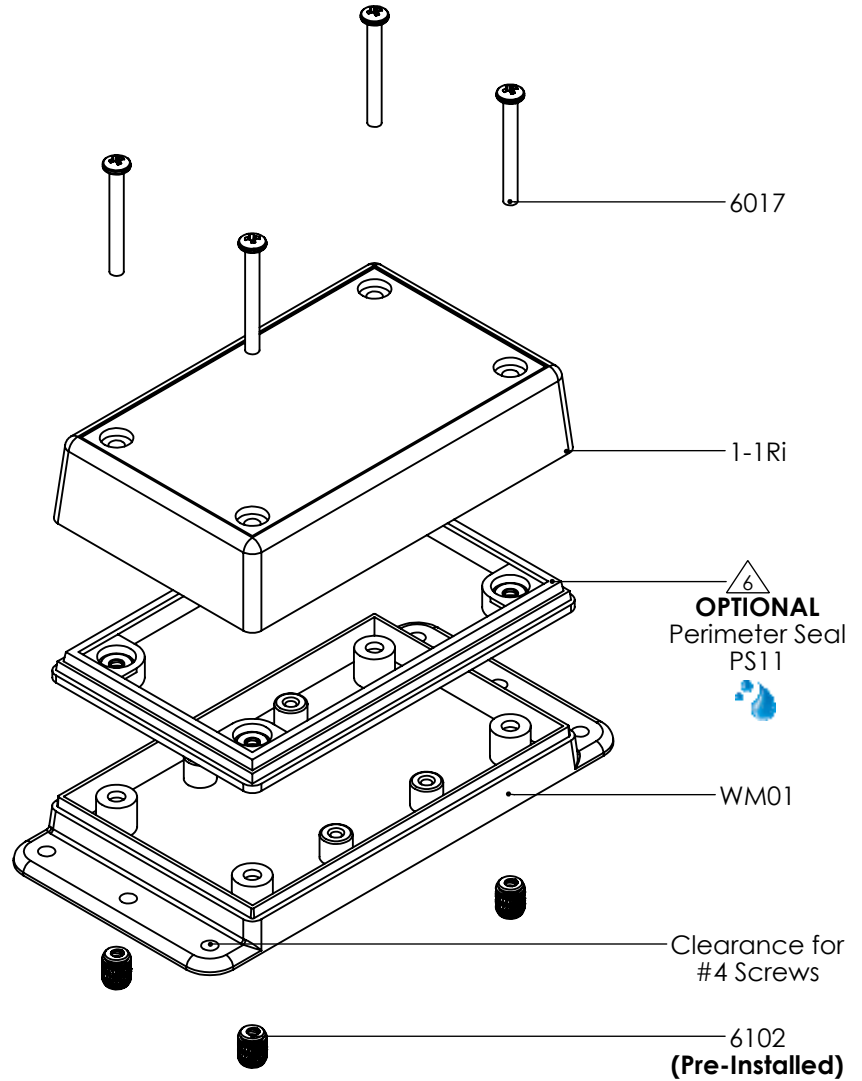
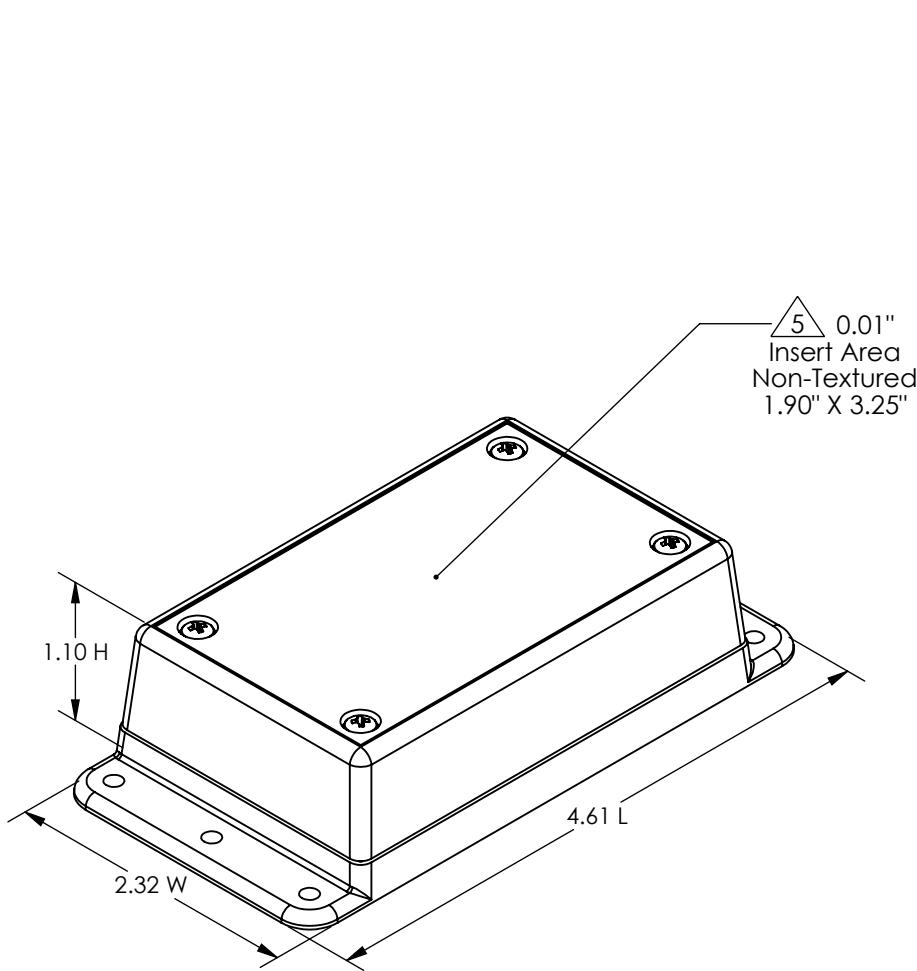


# SERPAC WM011Ri

ELECTRONIC ENCLOSURES

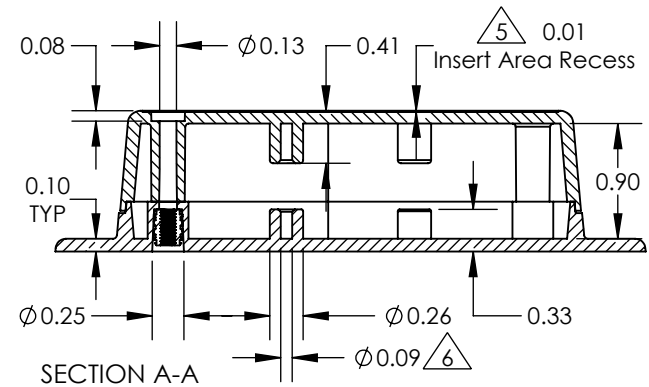
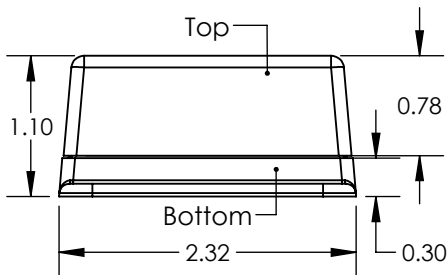
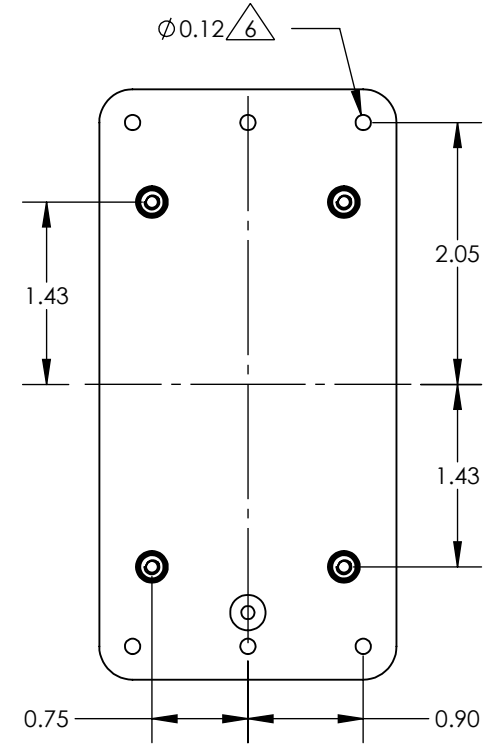
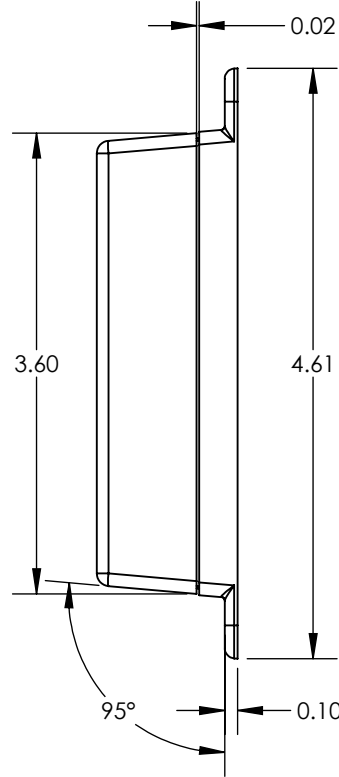
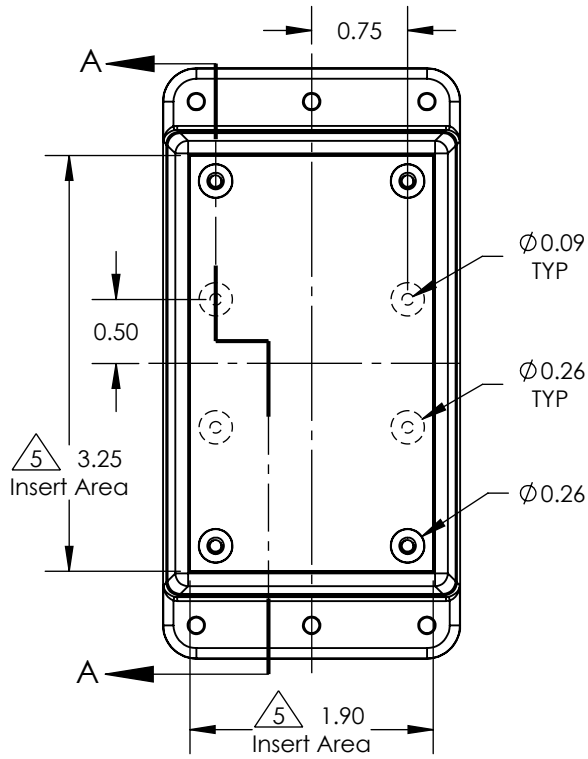


PART NO.	DESCRIPTION (Included)	ACCESSORIES (Optional)	
1-1Ri	Top	PART NO.	DESCRIPTION
WM01	Wall Mount Bottom	PS11	Waterproof Perimeter Seal
6017	4-40 x 1" Screw (4)	1040	2AA Battery Holder
6102	4-40 Threaded Inserts (4)	60	Standoff Hole
		61	Standoff Post

- Notes: Enclosure weight .13 lb / 60 g
- 1) Enclosure meets or exceeds IP40 and NEMA 1
  - 2) Circuit Board drawings see sheet 3.
  - 3) All components are RoHS Compliant.
  - 4) Material: Top and Bottom ABS.
  - 5) Customizable molding areas. 5
  - 6) When used with PS11 the enclosure meets or exceeds IP 67 and NEMA 4X, 12 and 13 MIL-STD-810G 506.5 (.01 lb / 7g) 6

# SERPAC WM012Ri

ELECTRONIC ENCLOSURES



- Notes: Enclosure weight .13 lb / 60 g
- 1) Enclosure meets or exceeds IP40 and NEMA 1
  - 2) Circuit Board drawings see sheet 3.
  - 3) All components are RoHS Compliant.
  - 4) Material: Top and Bottom ABS.
  - 5) Customizable molding areas.  $\triangle 5$
  - 6) Accepts #4 self tapping screw.  $\triangle 6$
  - 7) When used with PS11 the enclosure meets or exceeds IP 67 and NEMA 4X, 12 and 13 MIL-STD-810G 506.5 (.01 lb / 7g)

