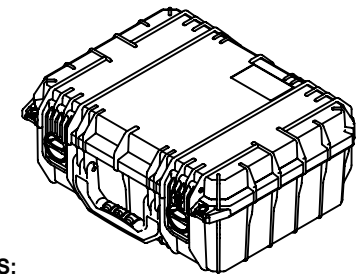
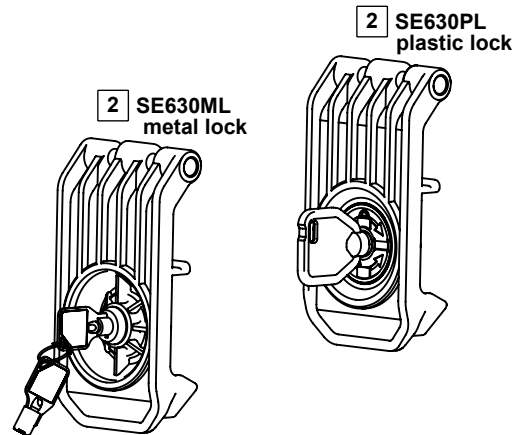
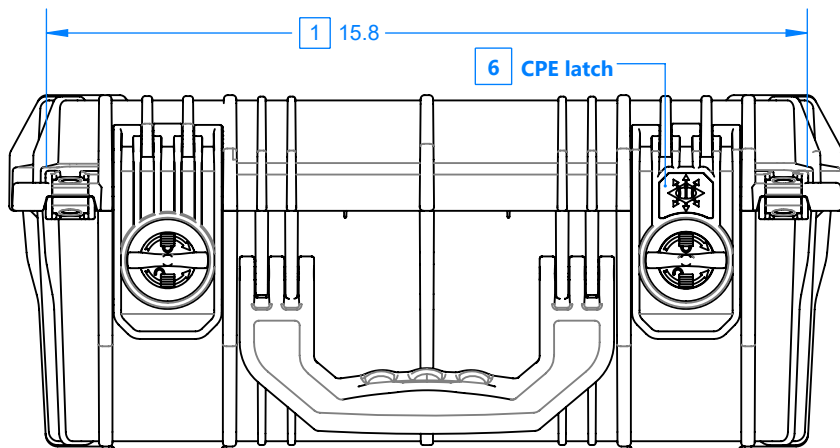
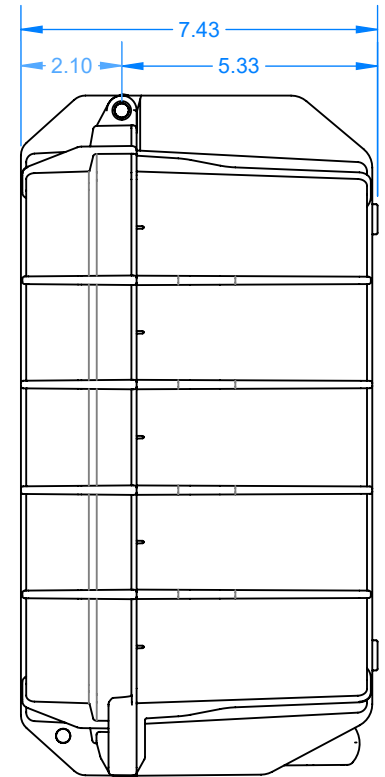
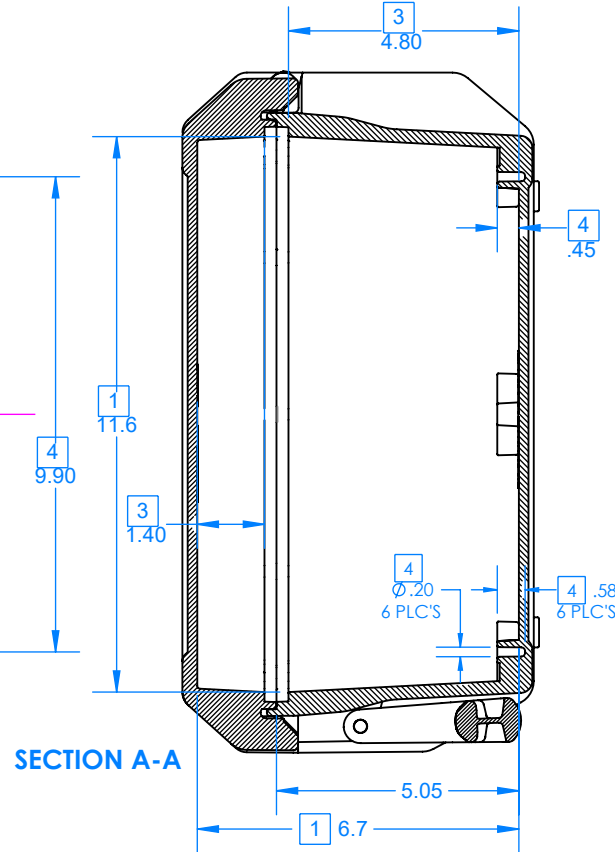
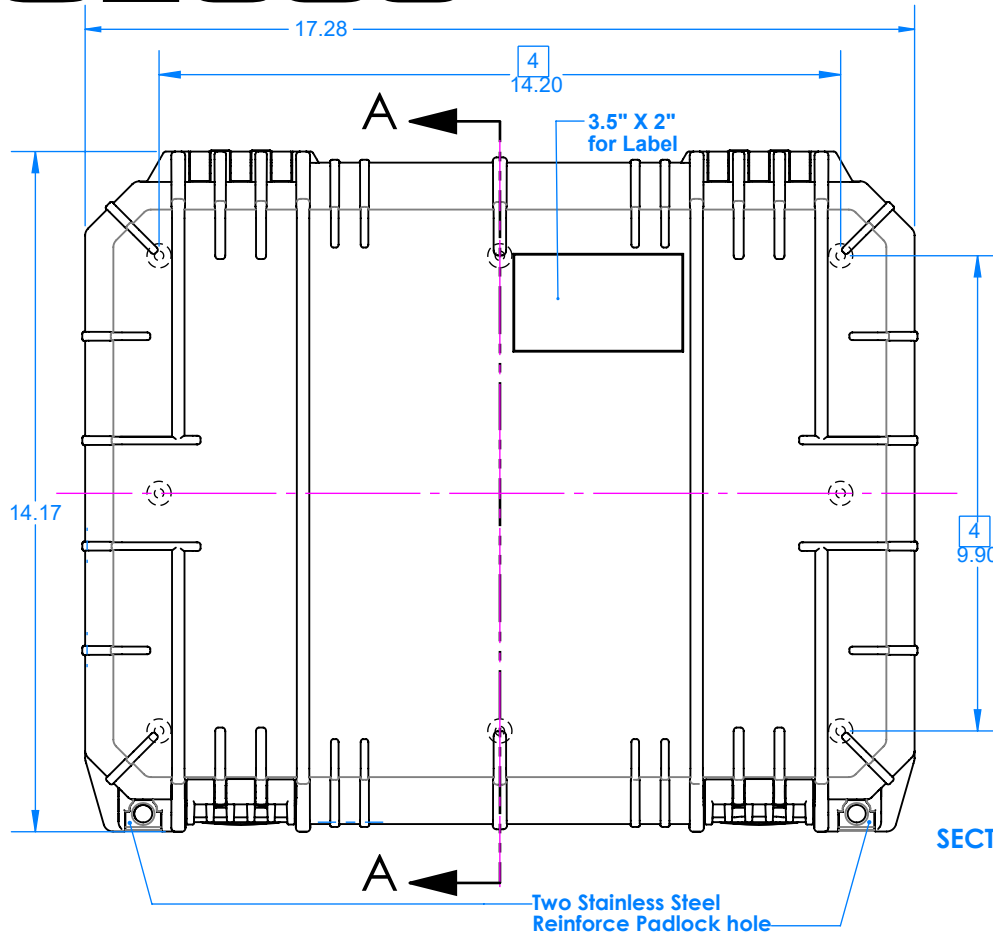


SE630

SEAHORSE PROTECTIVE EQUIPMENT CASES

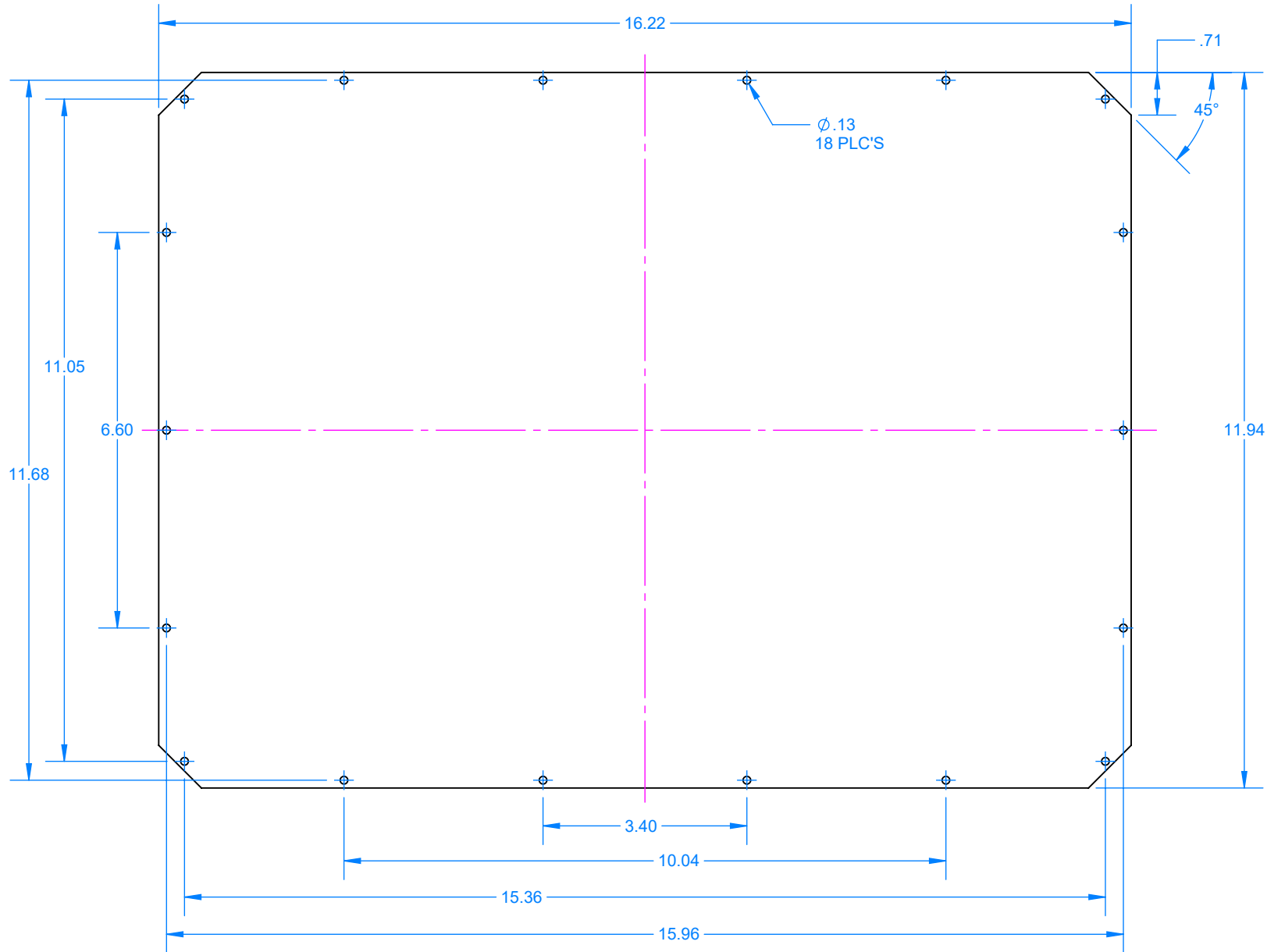


NOTES:

- 1) Max. usable inside dimensions are: 15.8" X 11.6" X 6.7"
- 2) With Metal Lock Latches p/n SE630ML and Plastic Lock Latches p/n SE630PL are optional.
- 3) Dimensions to bottom of panel flange.
- 4) Bosses on bottom use a 1/4" self tapping screw.
- 5) Weight empty/w-foam: 6.8/7.65 lb.
Buoyancy: 37 lb.
Weight Capacity: 65 lb.
- 6) CPE = Continues Pressure Equalization latch.

Top and Bottom Lip panel for SE630 For Reference Only

SEAHORSE
PROTECTIVE EQUIPMENT CASES



Bottom mounting plate for SE630

For Reference Only

SEAHORSE
PROTECTIVE EQUIPMENT CASES

