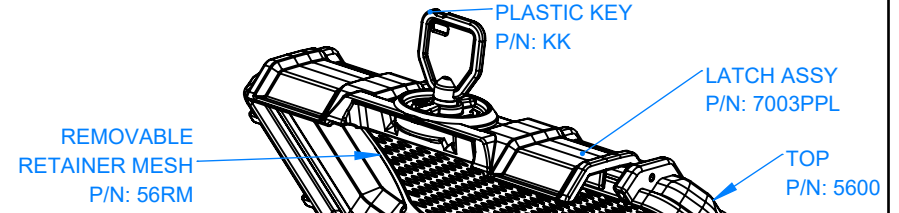
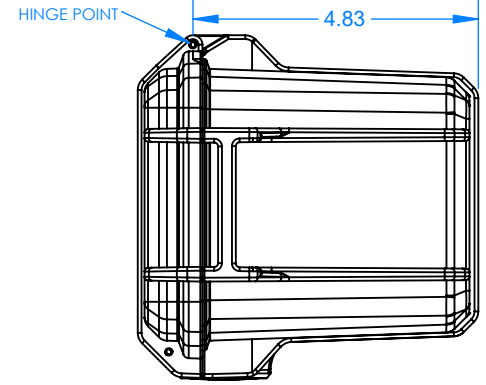
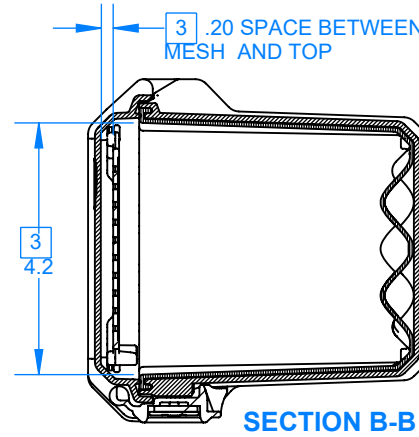
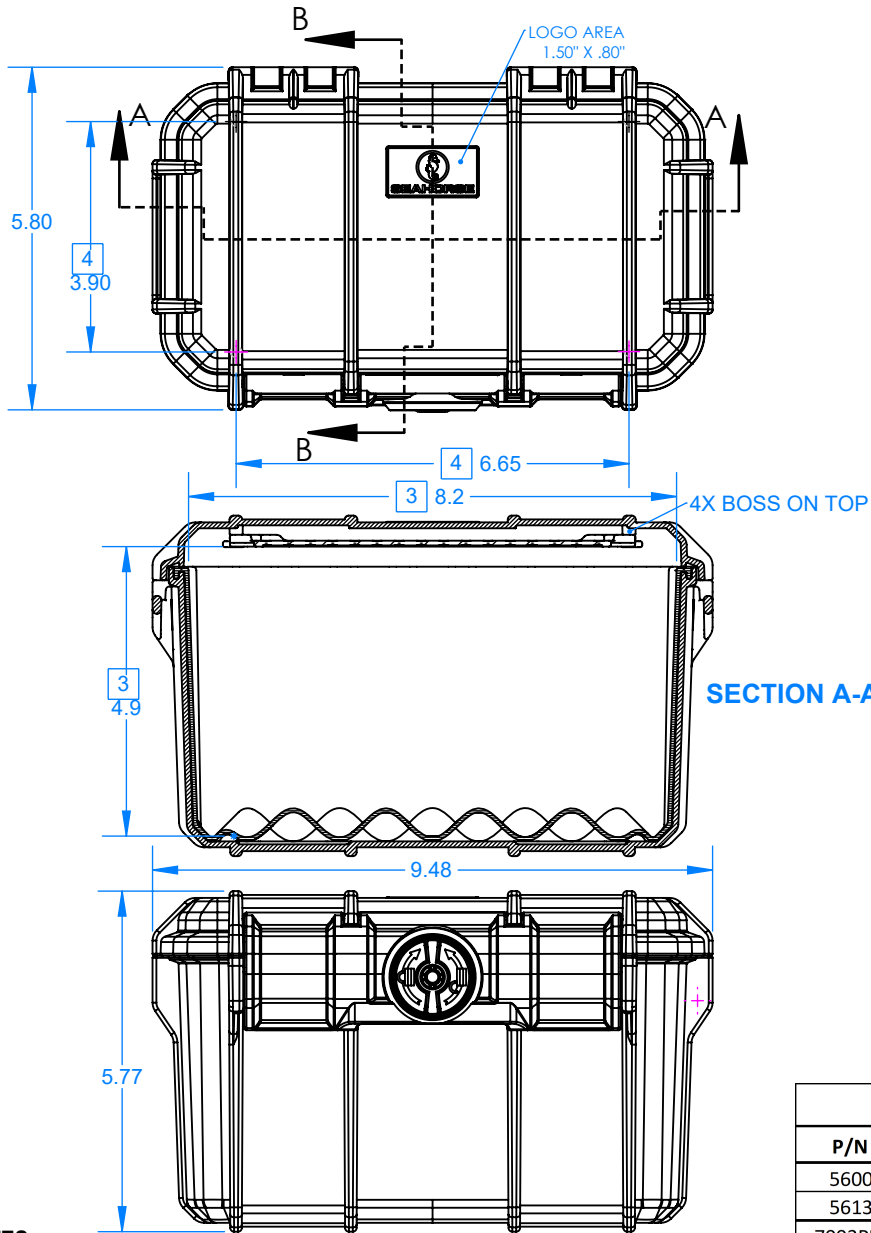
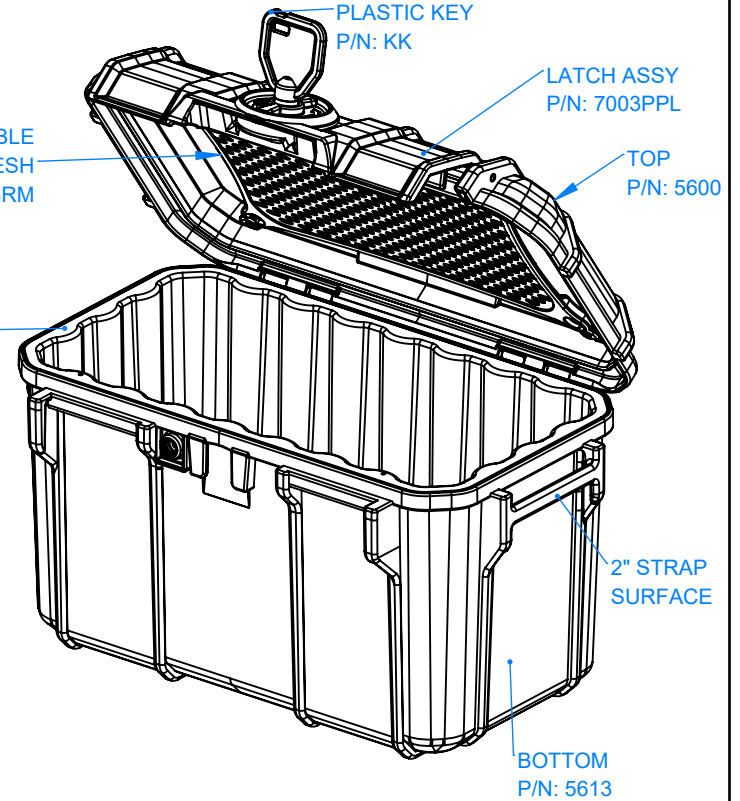


# SE59 Micro Case

# SEAHORSE PROTECTIVE EQUIPMENT CASES



REMOVABLE INSIDE  
LINER P/N: 59SL  
SEE SHEET 2 FOR  
OPTIONAL PERIMETER  
SEAL P/N: 56PS



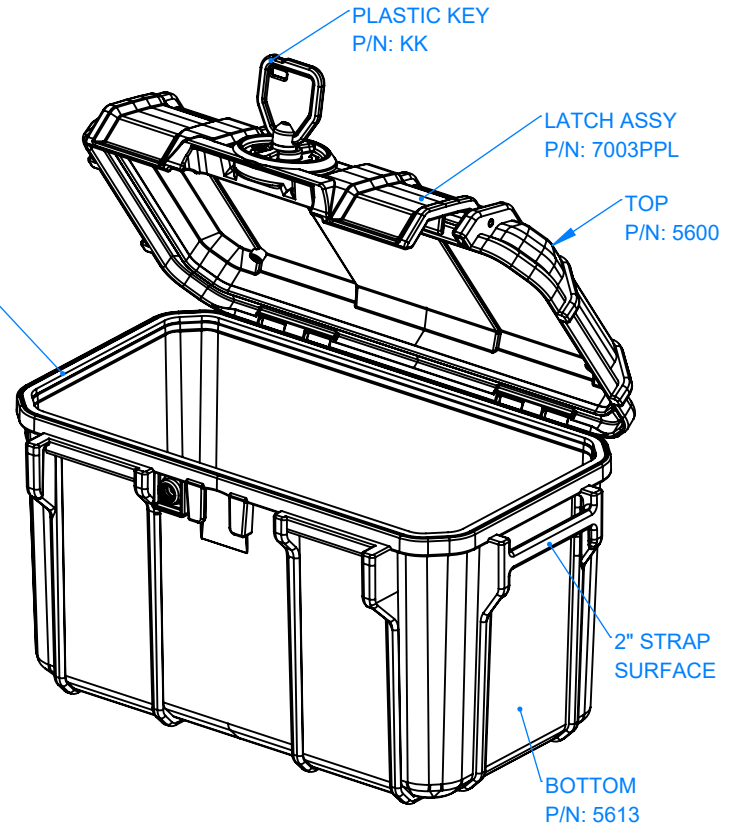
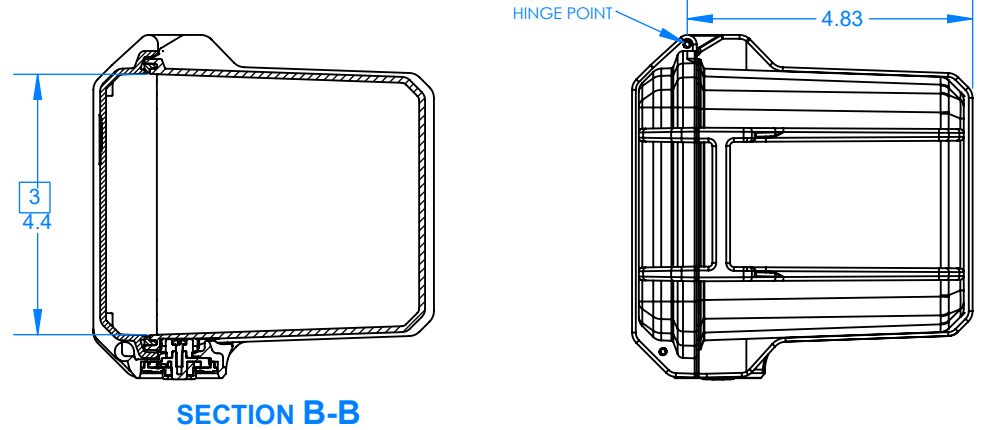
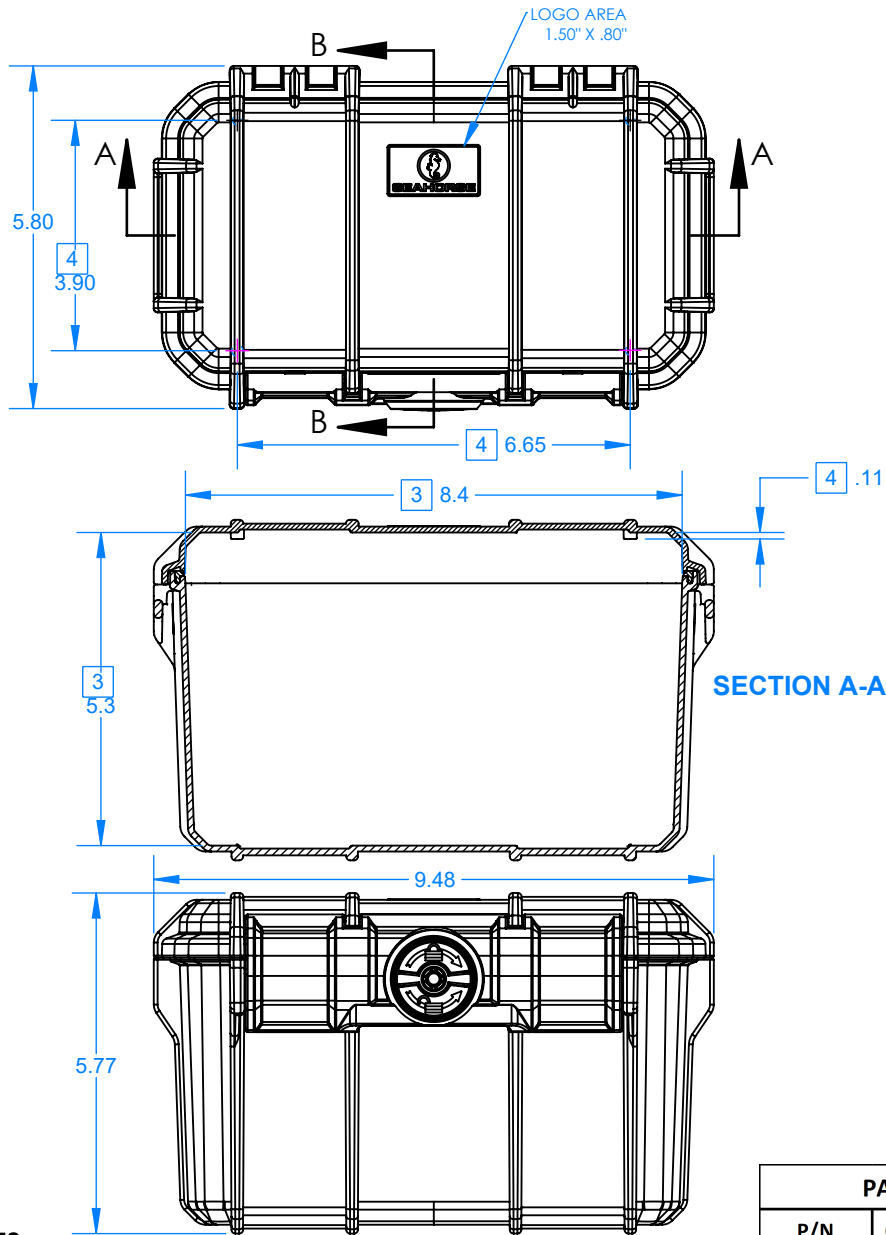
- NOTES:**
- 1) Material: Polycarbonate
  - 2) Colors available: black, orange, blue, red, green, yellow and clear.
  - 3) Max. usable inside dimensions are:  
8.2" X 4.2" X 4.9"
  - 4) Bosses on top use a #2 self tapping screw.
  - 5) Weight: 1.9  
Buoyancy: 7 lb.  
Weight Capacity: 10 lb

PARTS INCLUDED		
P/N	Qty.	Description
5600	1	Top
5613	1	Bottom
7003PPL	2	Plastic Latch Assembly
8003	1	O-ring
59SL	1	Seal Liner
56RM	1	Retainer Mesh
5506	4	Boss Cap
6002	4	#2 X 3/8" screw
KK	1	Plastic Key Set

# SE590EM Micro Case

# SEAHORSE

## PROTECTIVE EQUIPMENT CASES



REMOVABLE PERIMETER  
SEAL P/N: 56PS

OPTIONAL SEAL  
LINNER P/N: 59SL

### NOTES:

- 1) Material: Polycarbonate
- 2) Colors available: black, orange, blue, red, green, yellow and clear.
- 3) Max. usable inside dimensions are:  
8.4" X 4.4" X 5.3"
- 4) Bosses on top use a #2 self tapping screw.
- 5) Weight: 1.9  
Buoyancy: 7 lb.  
Weight Capacity: 10 lb

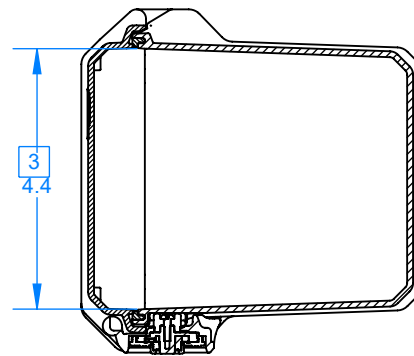
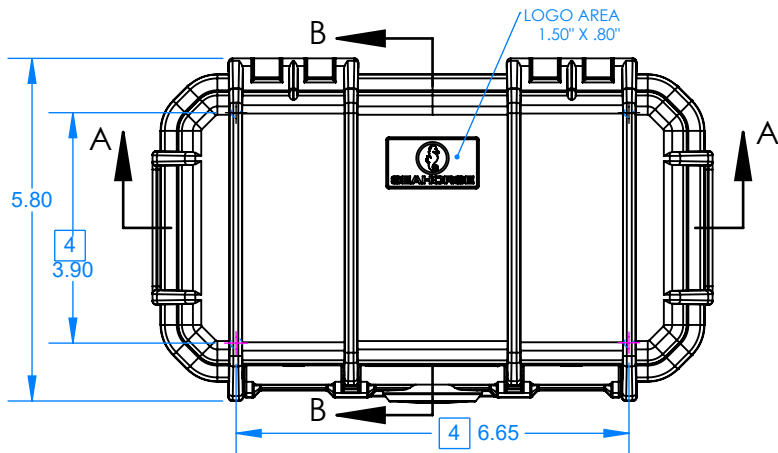
### PARTS INCLUDED

P/N	Qty.	Description
5600	1	Top
5613	1	Bottom
7003PPL	2	Plastic Latch Assembly
8003	1	O-ring
56PS	1	Perimeter Seal
KK	1	Plastic Key Set

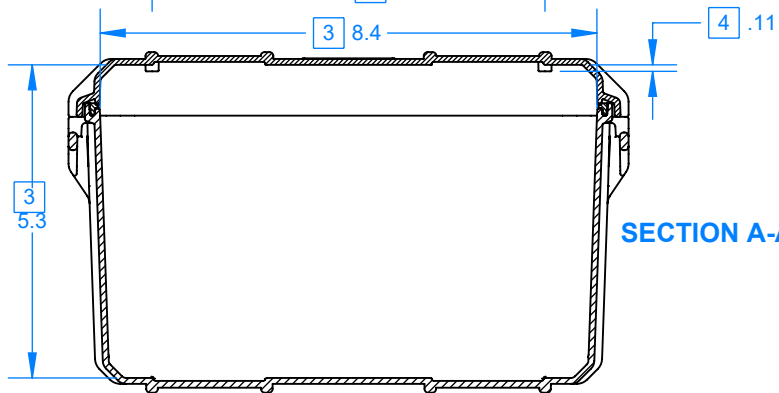
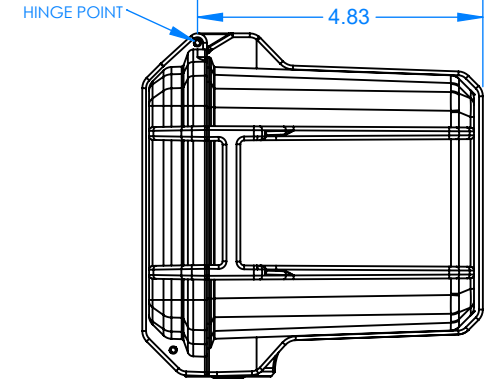
# SE59F Micro Case

# SEAHORSE

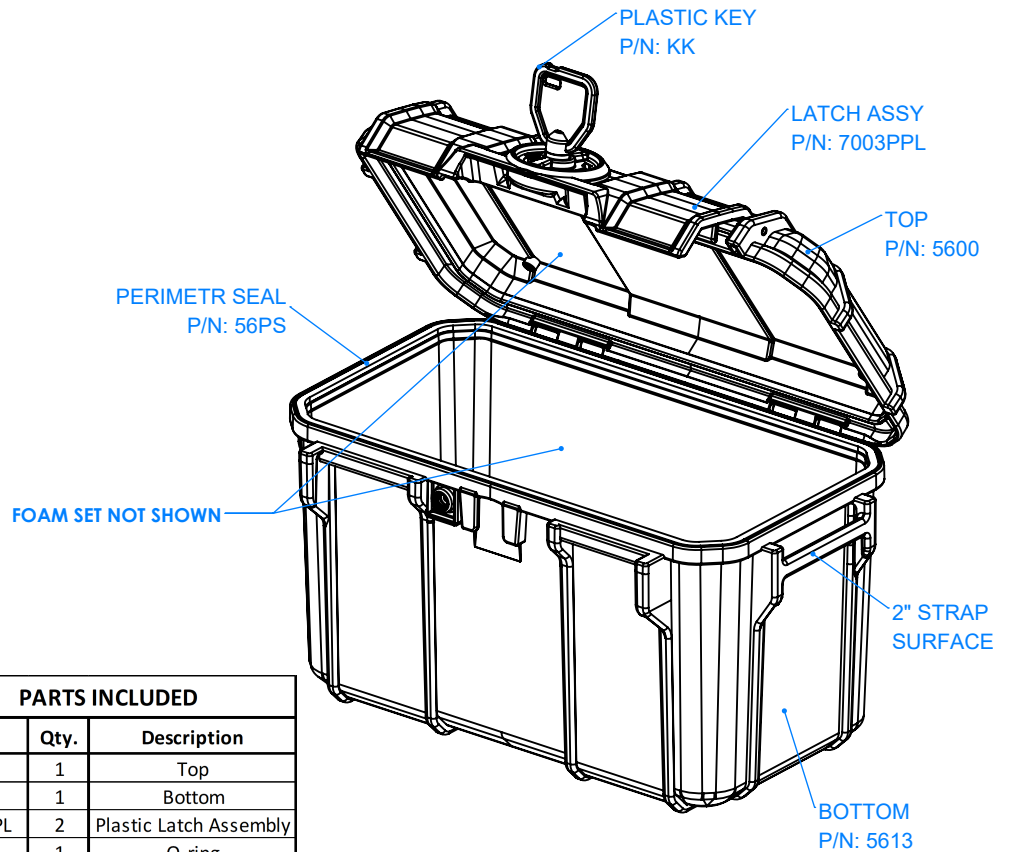
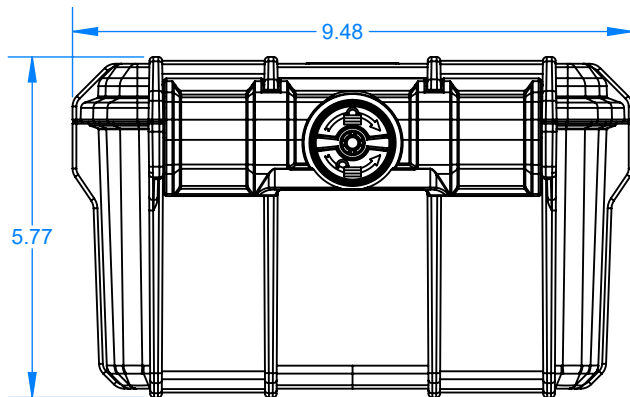
## PROTECTIVE EQUIPMENT CASES



SECTION B-B



SECTION A-A

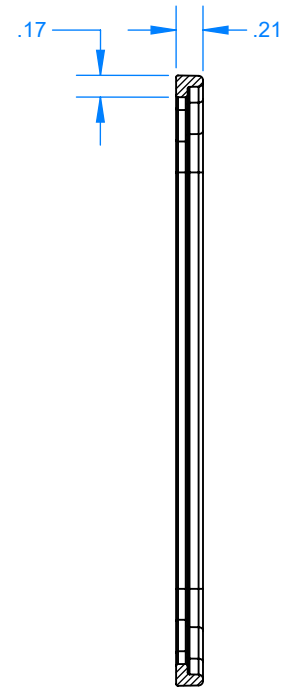
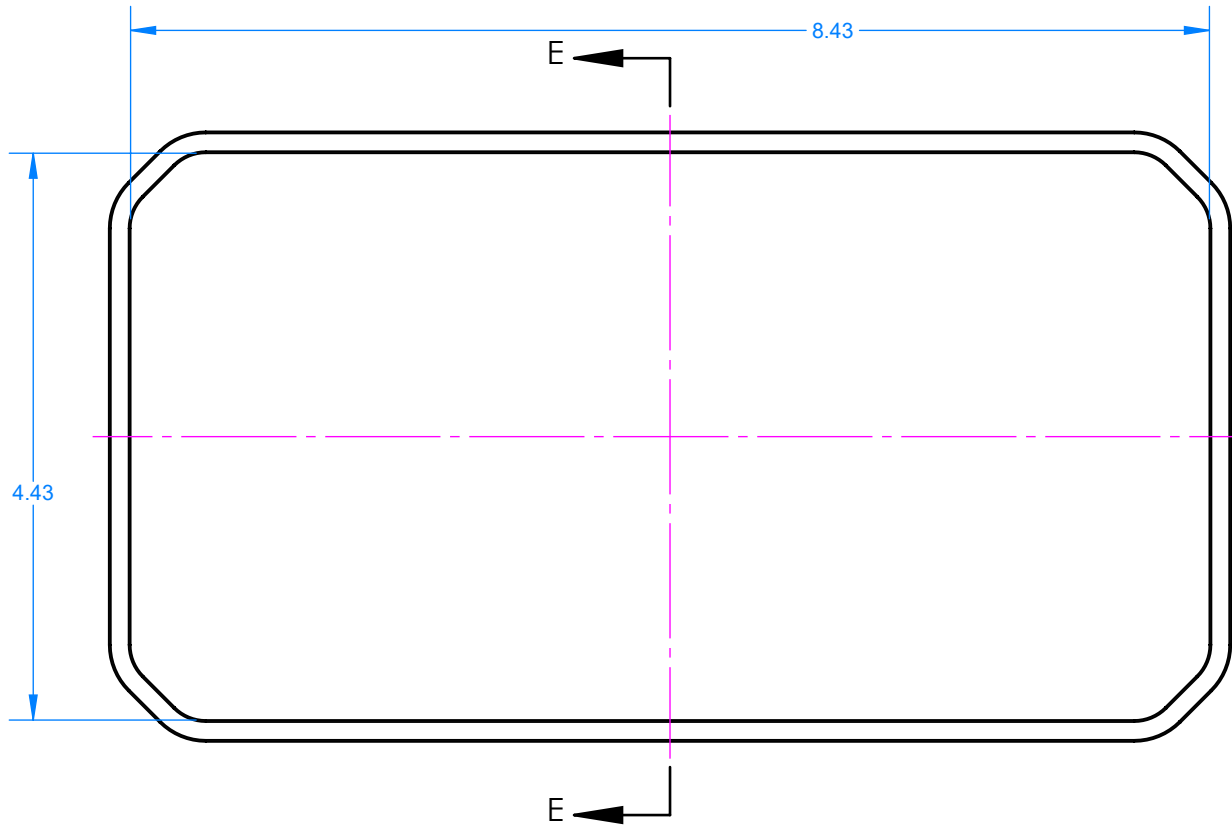


- NOTES:**
- 1) Material: Polycarbonate
  - 2) Colors available: black, orange, blue, red, green, yellow and clear.
  - 3) Max. usable inside dimensions are: 8.4" X 4.4" X 5.3"
  - 4) Bosses on top use a #2 self tapping screw.
  - 5) Weight: 1.9  
Buoyancy: 7 lb.  
Weight Capacity: 10 lb

PARTS INCLUDED		
P/N	Qty.	Description
5600	1	Top
5613	1	Bottom
7003PPL	2	Plastic Latch Assembly
8003	1	O-ring
56PS	1	Perimeter Seal
KK	1	Plastic Key Set
9060	1	59 Foam Set

# SE59 Perimeter Seal

**SEAHORSE**  
PROTECTIVE EQUIPMENT CASES



SECTION E-E  
SCALE 1 : 1.5

# Top Mounting Panel for SE59

**SEAHORSE**  
PROTECTIVE EQUIPMENT CASES

