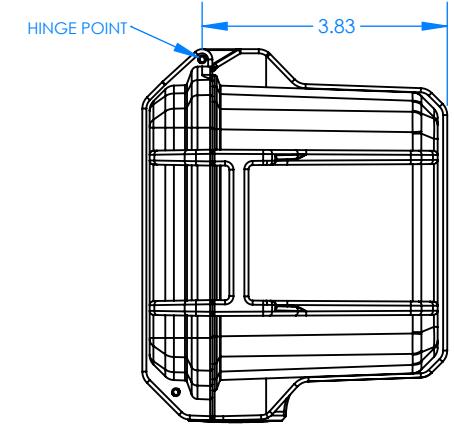
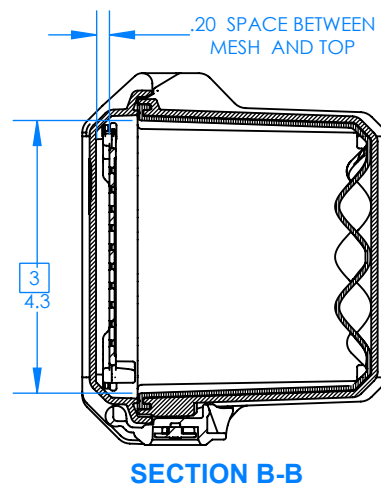
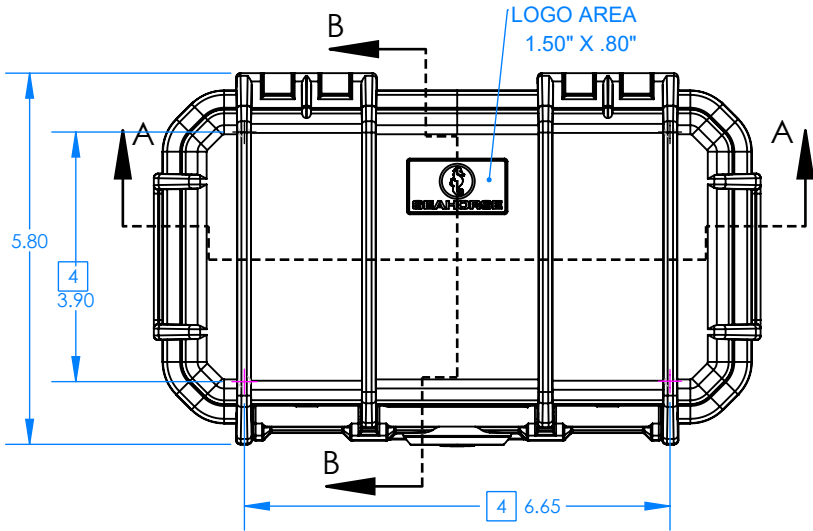
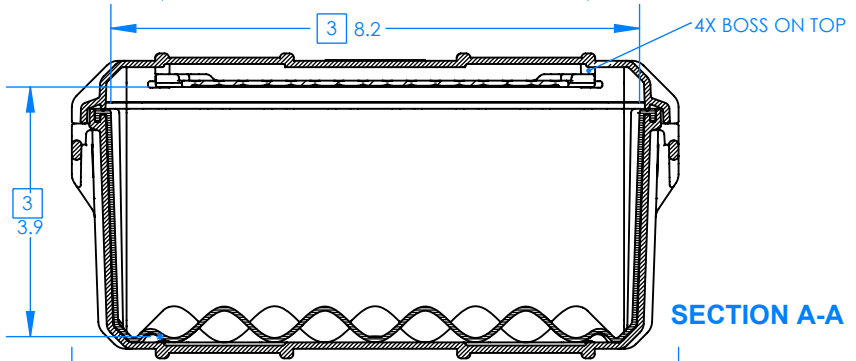


# SE58 Micro Case

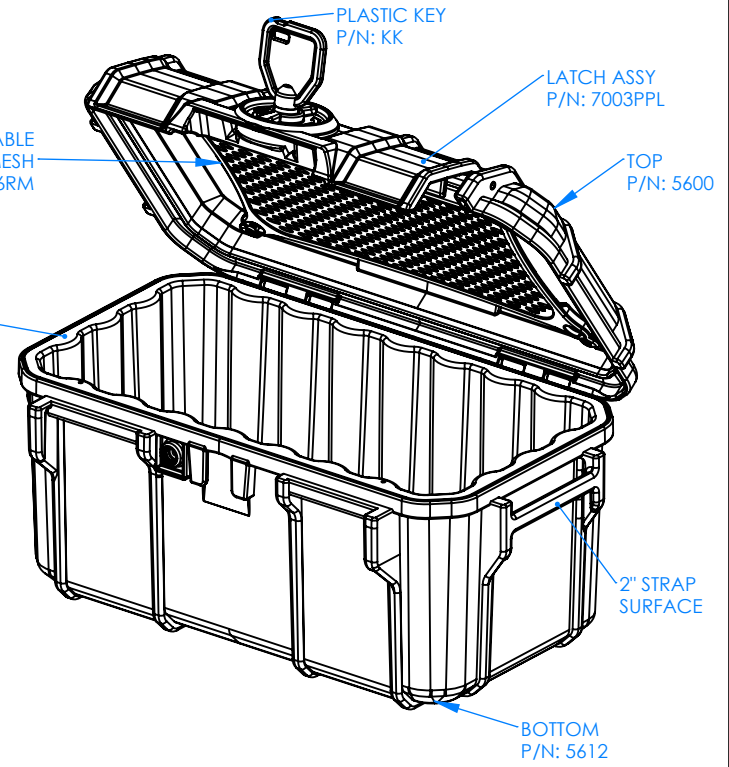
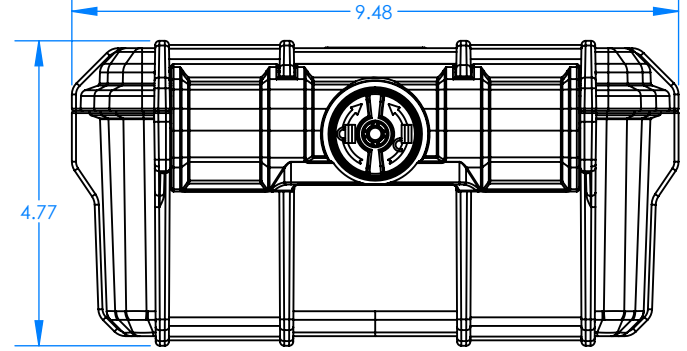
# SEAHORSE PROTECTIVE EQUIPMENT CASES



SECTION B-B



SECTION A-A

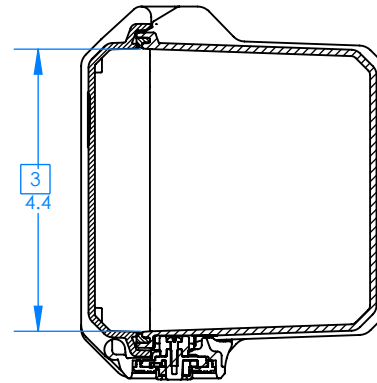
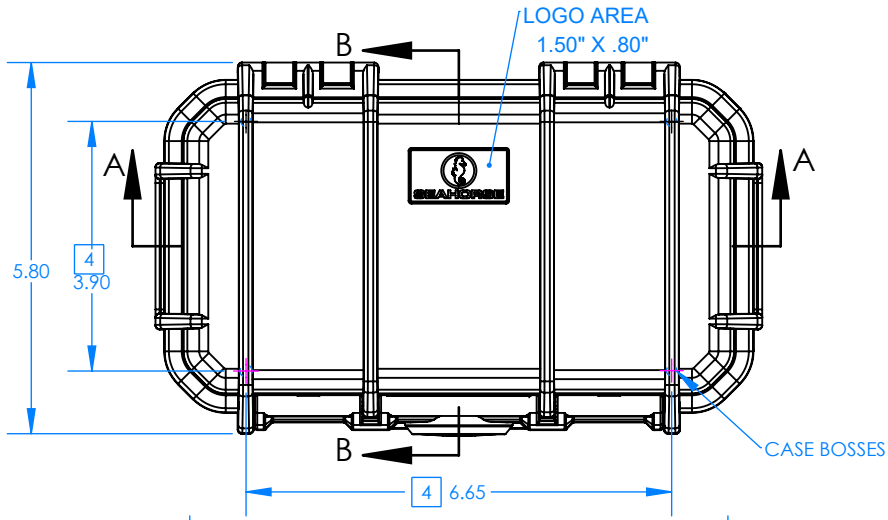


- NOTES:**
- 1) Material: Polycarbonate
  - 2) Colors available: black, orange, blue, red, green, yellow and clear.
  - 3) Max. usable inside dimensions are: 8.2" X 4.2" X 2.9"
  - 4) Bosses on top use a #2 self tapping screw.
  - 5) Weight: 1.7  
Buoyancy: 6 lb.  
Weight Capacity: 10 lb

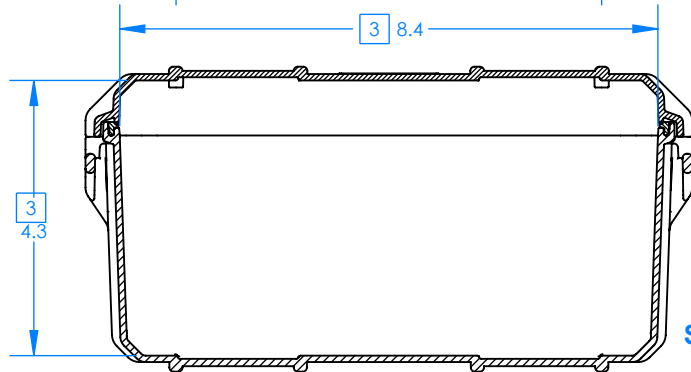
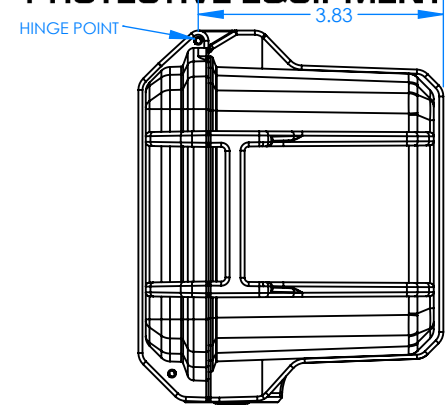
PARTS INCLUDED		
P/N	Qty.	Description
5600	1	Top
5612	1	Bottom
7003PPL	2	Plastic Latch Assembly
8003	1	O-ring
58SL	1	Seal Liner
56RM	1	Retainer Mesh
5506	4	Boss Cap
6002	4	#2 X 3/8" screw
KK	1	Plastic Key Set

# SE580EM Micro Case

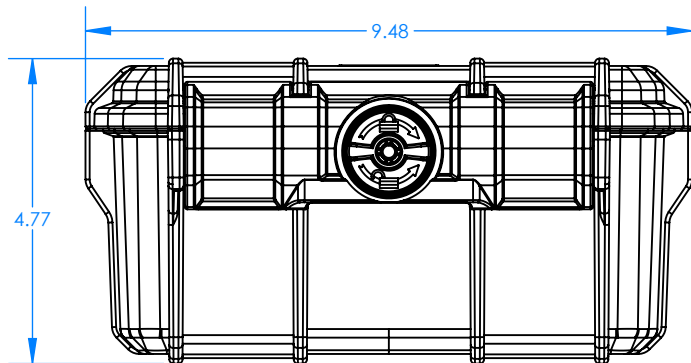
# SEAHORSE PROTECTIVE EQUIPMENT CASES



SECTION B-B

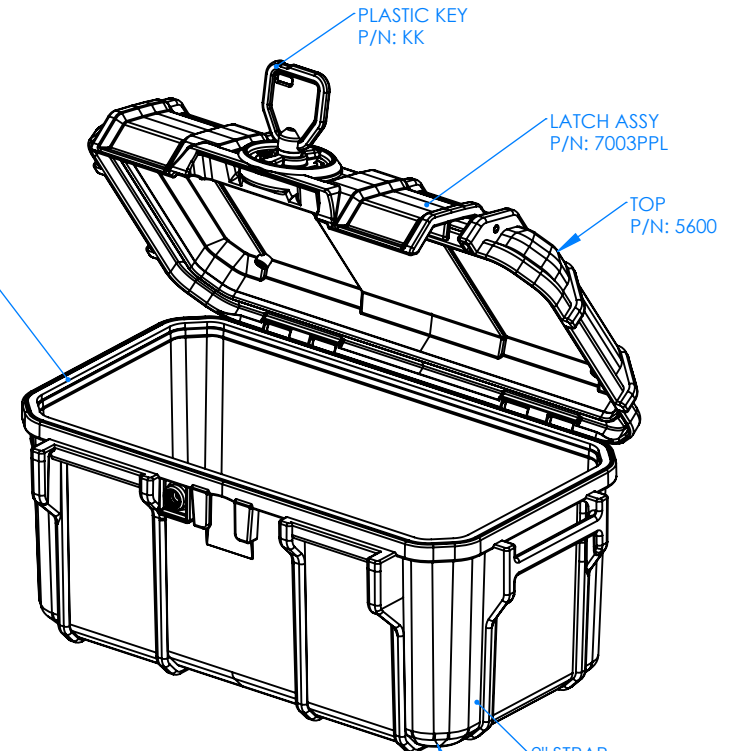


SECTION A-A



REMOVABLE PERIMETER SEAL P/N: 56PS

OPTIONAL SEAL LINNER P/N: 58SL



SEE NOTE 2 FOR COLORS AVAILABLE

## NOTES:

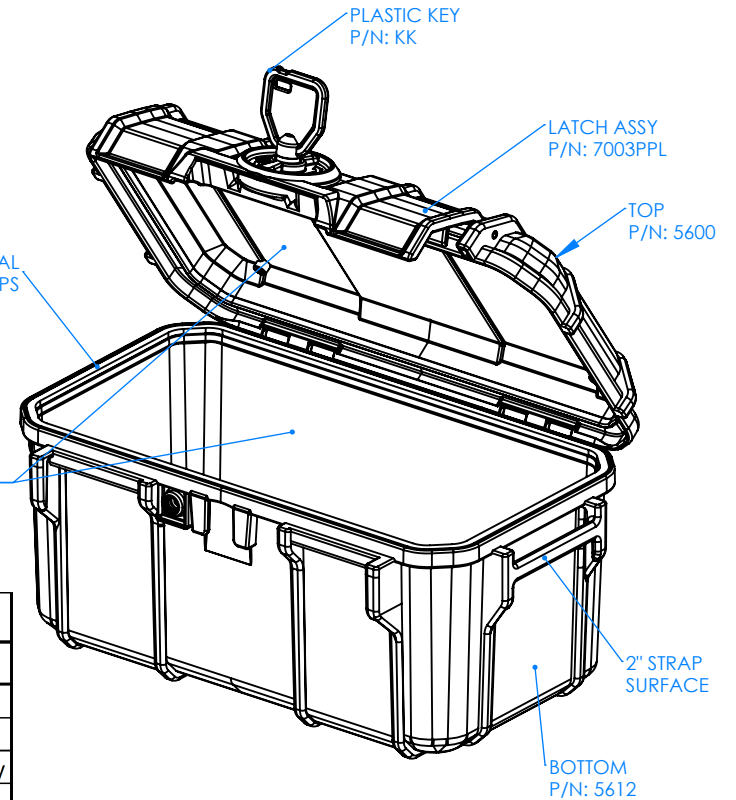
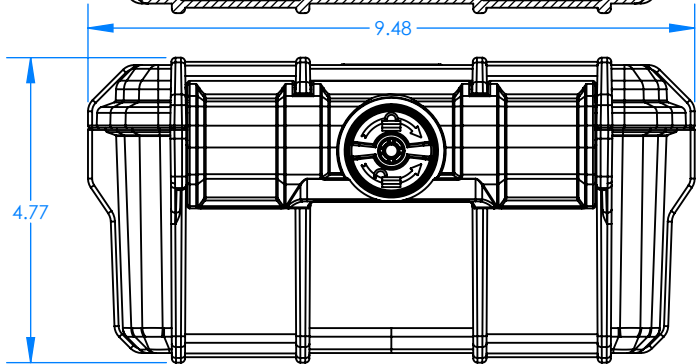
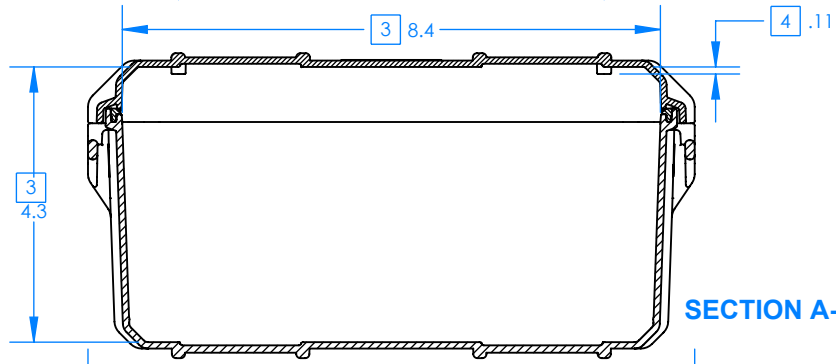
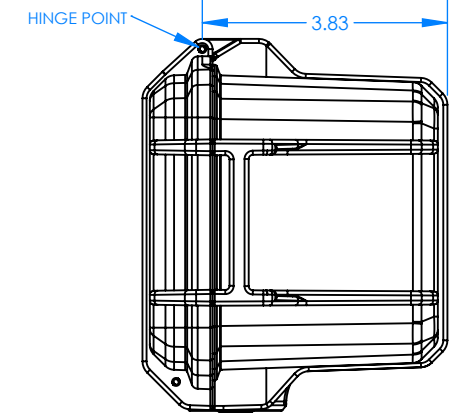
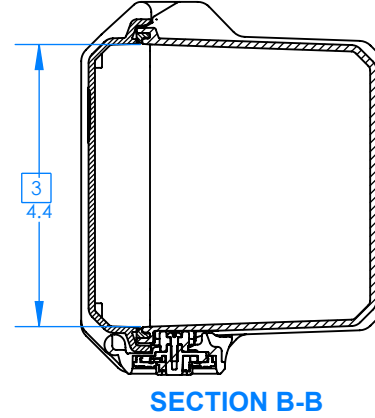
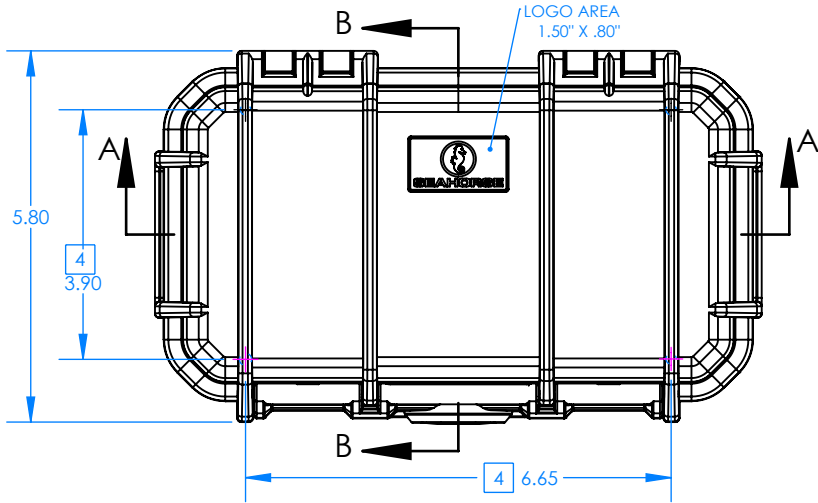
- 1) Material: Polycarbonate
- 2) Colors available: black, orange, blue, red, green, yellow and clear.
- 3) Max. usable inside dimensions are:  
8.4" X 4.4" X 4.3"
- 4) Bosses on top use a #2 self tapping screw.
- 5) Weight: 1.7  
Buoyancy: 6 lb.  
Weight Capacity: 10 lb

## PARTS INCLUDED

P/N	Qty.	Description
5600	1	Top
5612	1	Bottom
7003PPL	2	Plastic Latch Assembly
8003	1	O-ring
56PS	1	Perimeter Seal
KK	1	Plastic Key Set

# SE58F Micro Case

# SEAHORSE PROTECTIVE EQUIPMENT CASES



## NOTES:

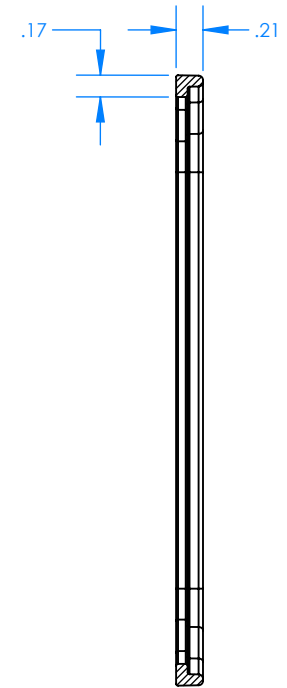
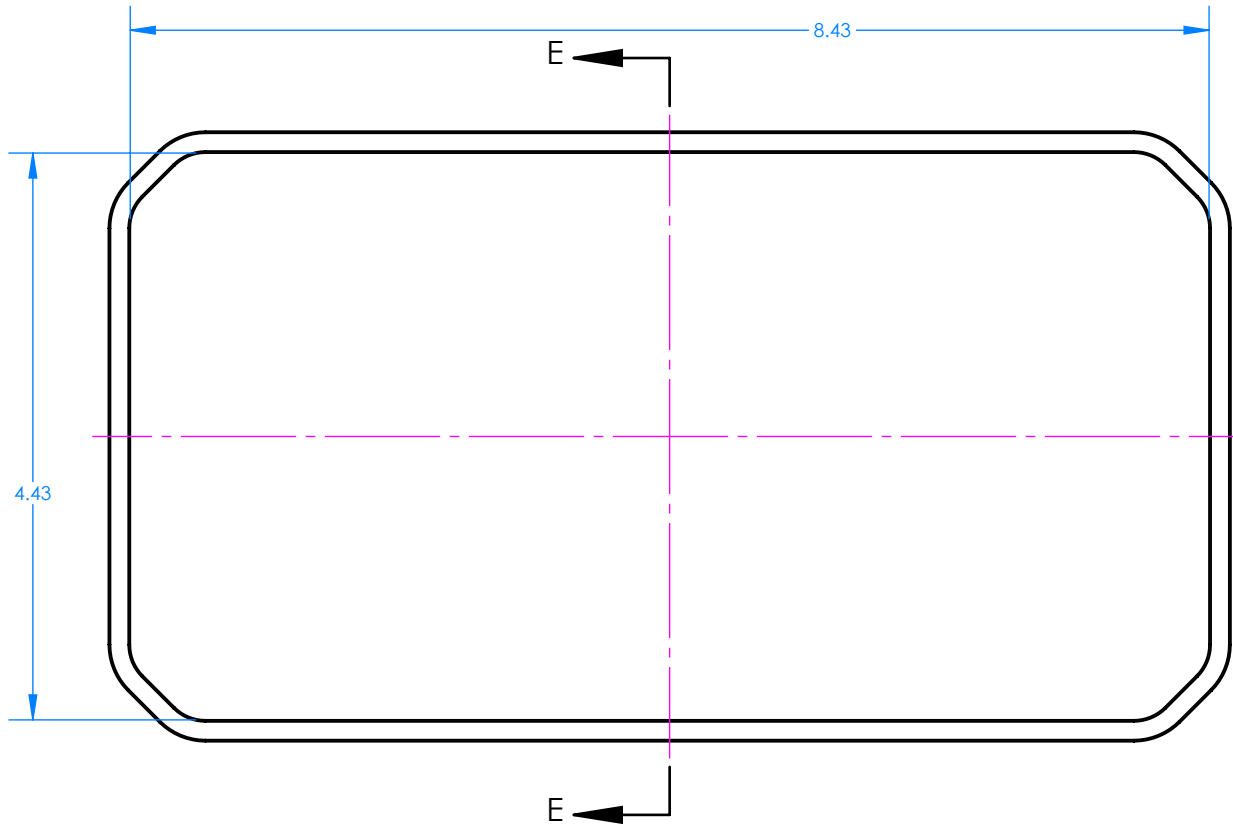
- 1) Material: Polycarbonate
- 2) Colors available: black, orange, blue, red, green, yellow and clear.
- 3) Max. usable inside dimensions are:  
8.4" X 4.4" X 4.3"
- 4) Bosses on top use a #2 self tapping screw.
- 5) Weight: 1.9  
Buoyancy: 6 lb.  
Weight Capacity: 10 lb

## PARTS INCLUDED

P/N	Qty.	Description
5600	1	Top
5612	1	Bottom
7003PPL	2	Plastic Latch Assembly
8003	1	O-ring
56PS	1	Perimeter Seal
KK	1	Plastic Key Set
9059	1	58 Foam Set

# SE58 Perimeter Seal

**SEAHORSE**  
PROTECTIVE EQUIPMENT CASES



SECTION E-E

# Top Mounting Panel for SE58

**SEAHORSE**  
PROTECTIVE EQUIPMENT CASES

