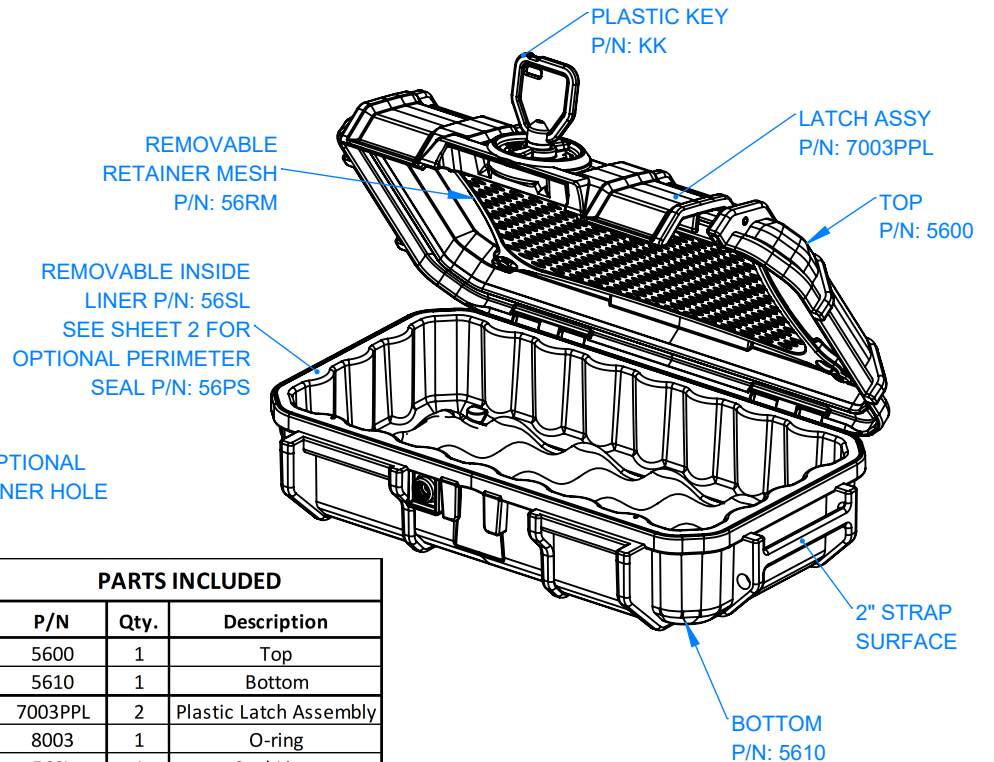
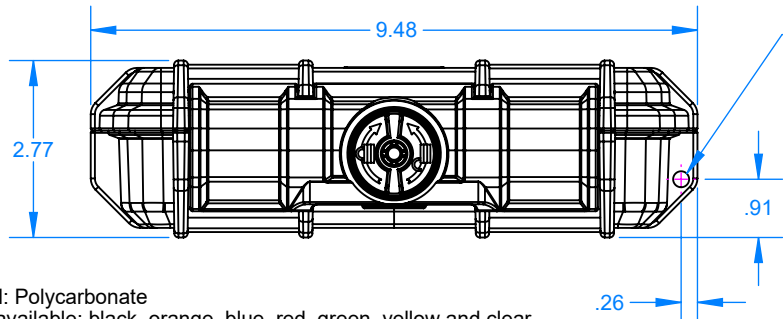
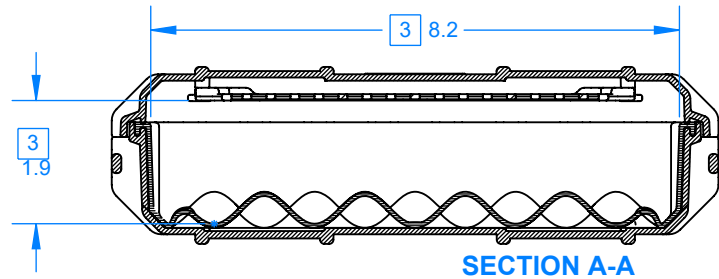
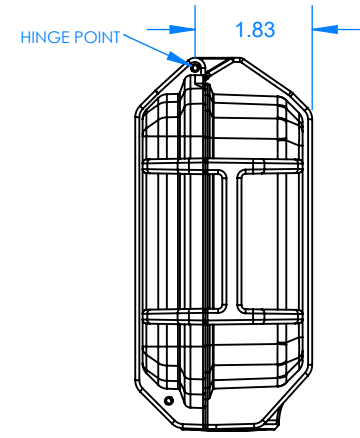
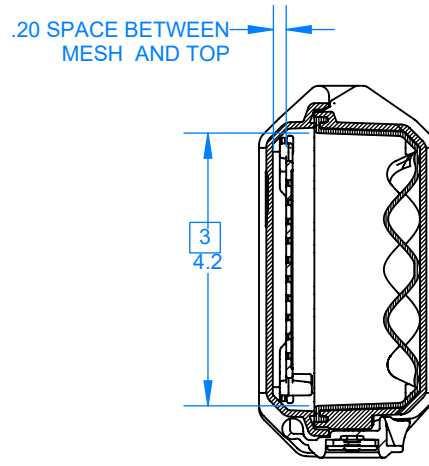
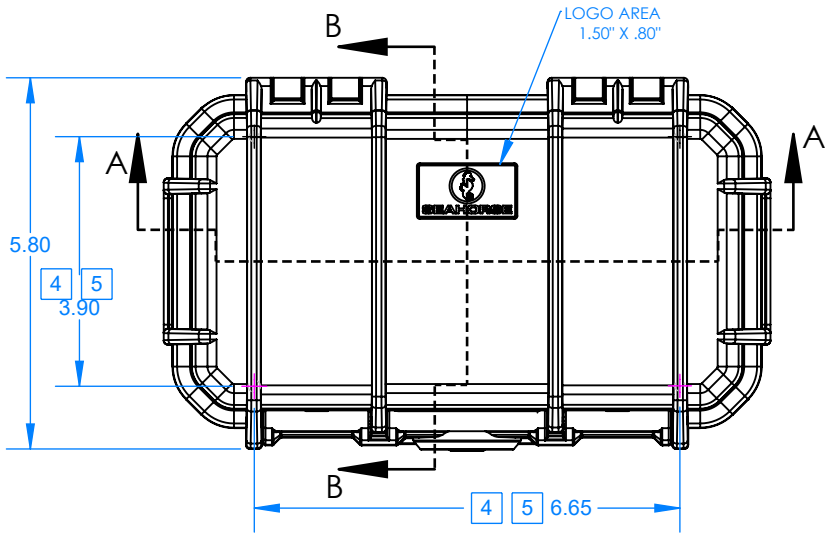


# SE56 Micro Case

# SEAHORSE PROTECTIVE EQUIPMENT CASES

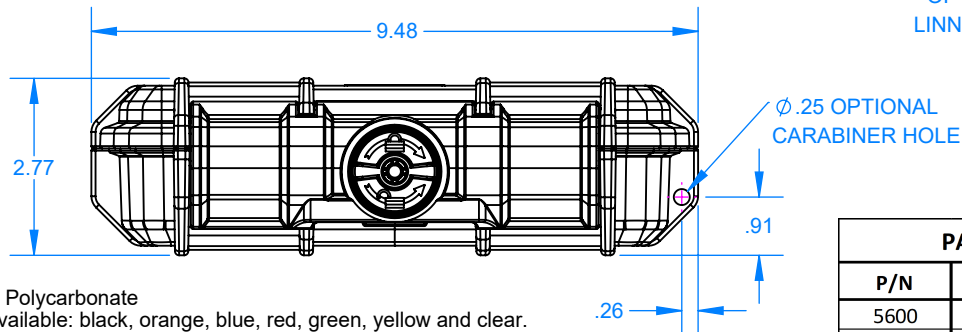
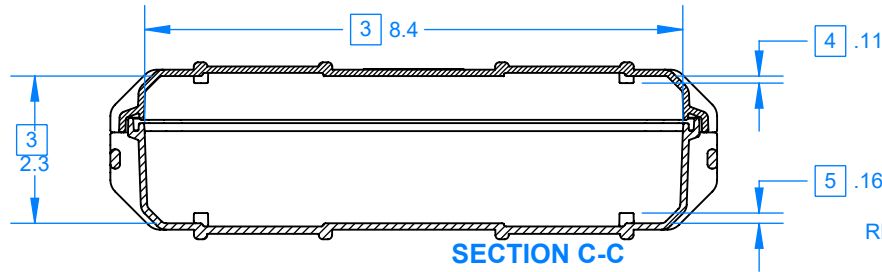
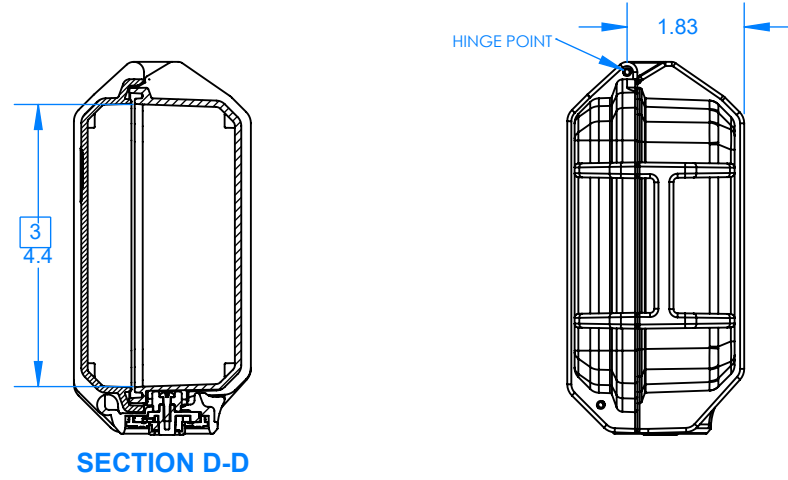
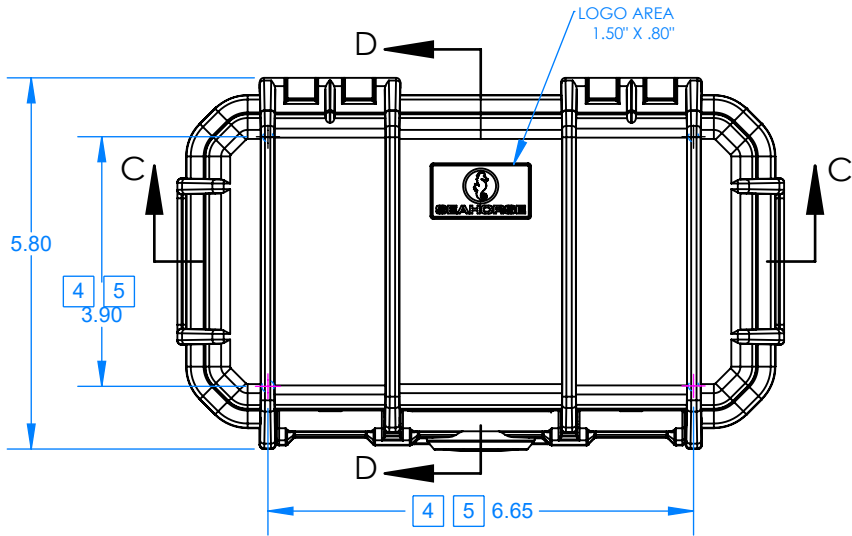


- NOTES:**
- 1) Material: Polycarbonate
  - 2) Colors available: black, orange, blue, red, green, yellow and clear.
  - 3) Max. usable inside dimensions are: 8.2" X 4.2" X 1.9"
  - 4) Bosses on top use a #2 self tapping screw.
  - 5) Bosses on bottom use a #2 self tapping screw.
  - 6) Weight: 1.35  
Buoyancy: 3 lb.  
Weight Capacity: 5 lb

| PARTS INCLUDED |      |                        |
|----------------|------|------------------------|
| P/N            | Qty. | Description            |
| 5600           | 1    | Top                    |
| 5610           | 1    | Bottom                 |
| 7003PPL        | 2    | Plastic Latch Assembly |
| 8003           | 1    | O-ring                 |
| 56SL           | 1    | Seal Liner             |
| 56RM           | 1    | Retainer Mesh          |
| 5506           | 4    | Boss Cap               |
| 6002           | 4    | #2 X 3/8" screw        |
| KK             | 1    | Plastic Key Set        |

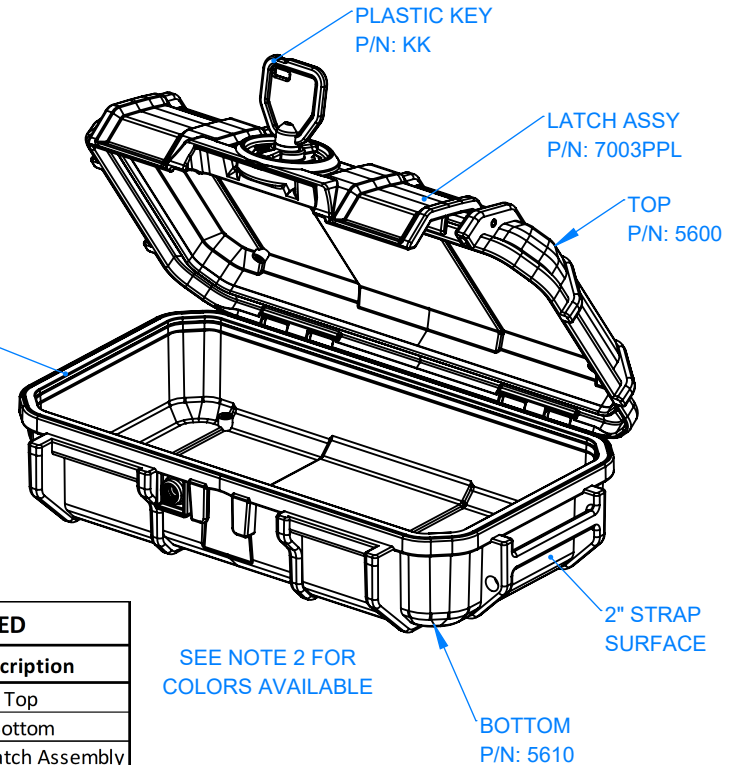
# SE560EM Micro Case

# SEAHORSE PROTECTIVE EQUIPMENT CASES



REMOVABLE PERIMETR SEAL P/N: 56PS

OPTIONAL SEAL LINNER P/N: 56SL



SEE NOTE 2 FOR COLORS AVAILABLE

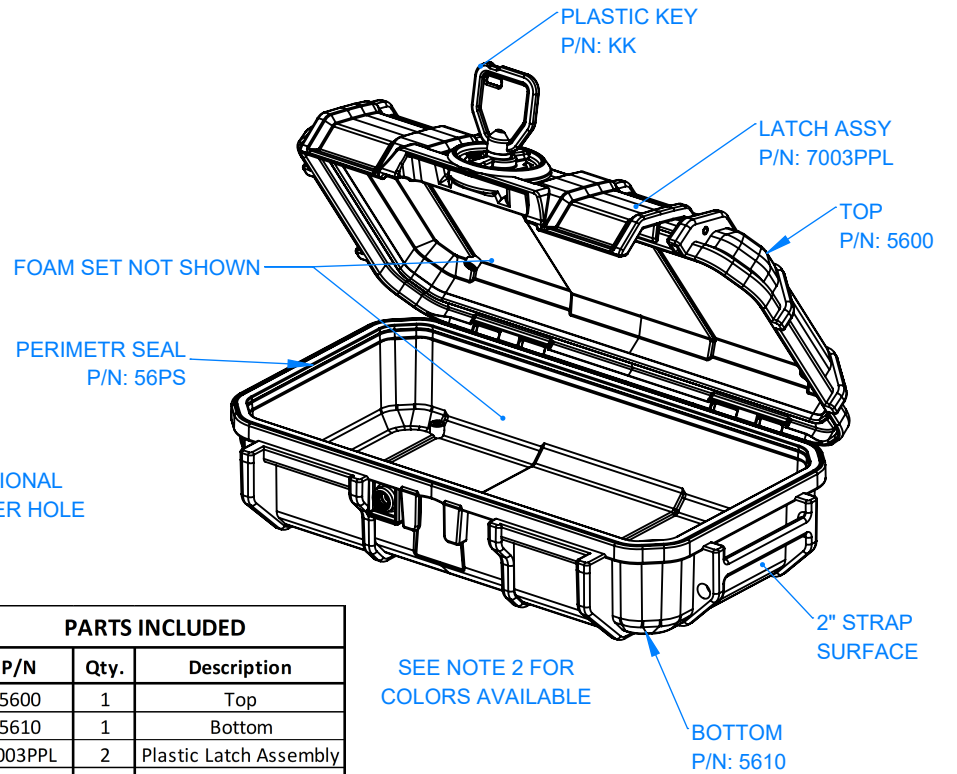
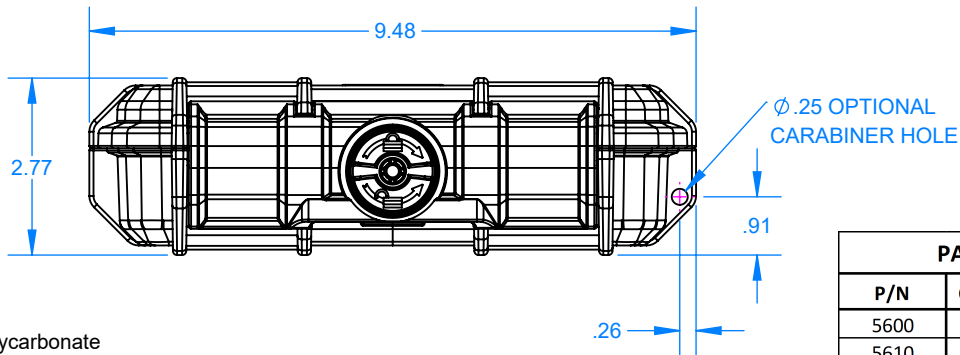
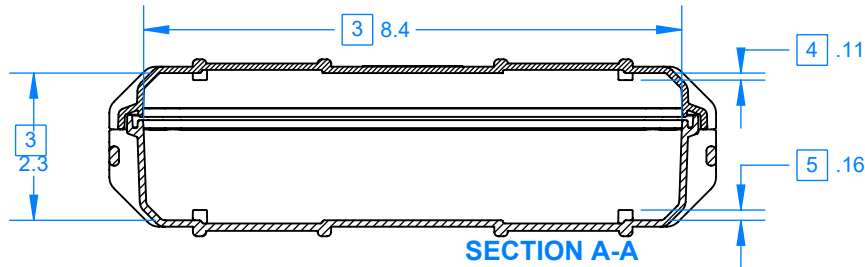
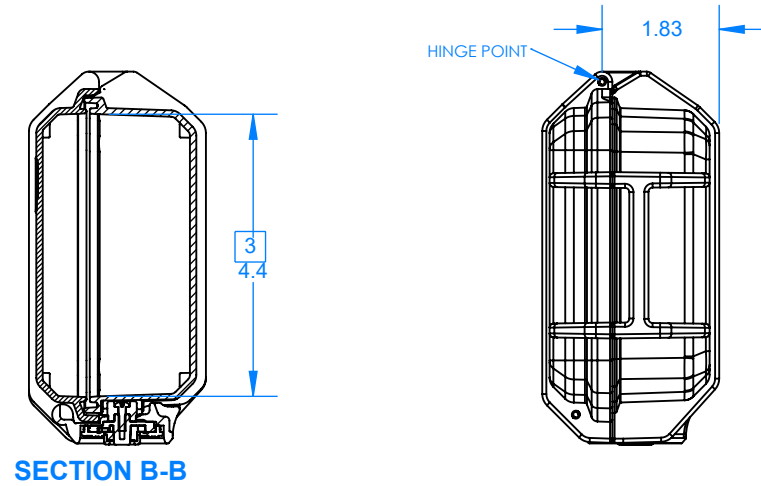
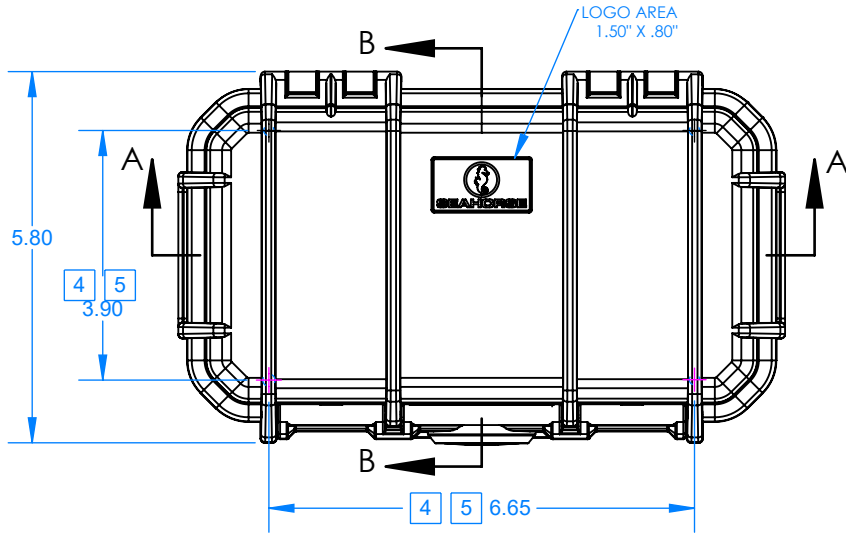
## NOTES:

- 1) Material: Polycarbonate
- 2) Colors available: black, orange, blue, red, green, yellow and clear.
- 3) Max. usable inside dimensions are: 8.4" X 4.4" X 2.3"
- 4) Bosses on top use a #2 self tapping screw.
- 5) Bosses on bottom use a #2 self tapping screw.
- 6) Weight: 1.05  
Buoyancy: 3 lb.  
Weight Capacity: 5 lb

| PARTS INCLUDED |      |                        |
|----------------|------|------------------------|
| P/N            | Qty. | Description            |
| 5600           | 1    | Top                    |
| 5610           | 1    | Bottom                 |
| 7003PPL        | 2    | Plastic Latch Assembly |
| 8003           | 1    | O-ring                 |
| 56PS           | 1    | Perimeter Seal         |
| KK             | 1    | Plastic Key Set        |

# SE56F Micro Case

# SEAHORSE PROTECTIVE EQUIPMENT CASES



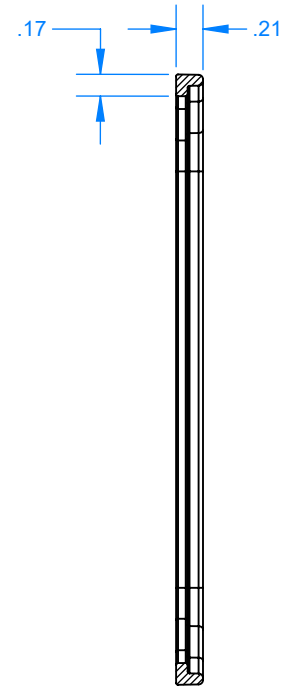
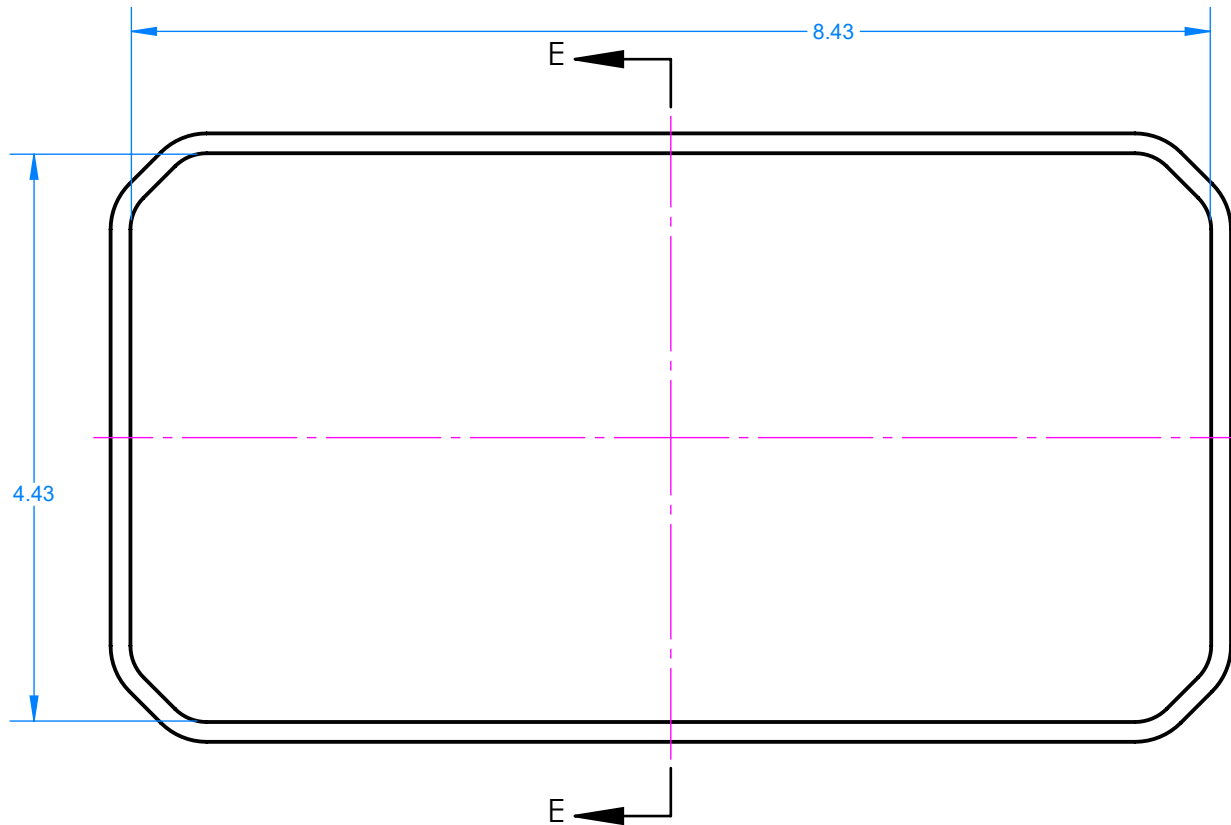
- NOTES:**
- 1) Material: Polycarbonate
  - 2) Colors available: black, orange, blue, red, green, yellow and clear.
  - 3) Max. usable inside dimensions are:  
8.4" X 4.4" X 2.3"
  - 4) Bosses on top use a #2 self tapping screw.
  - 5) Bosses on bottom use a #2 self tapping screw.
  - 6) Weight: 1.05  
Buoyancy: 3 lb.  
Weight Capacity: 5 lb

| PARTS INCLUDED |      |                        |
|----------------|------|------------------------|
| P/N            | Qty. | Description            |
| 5600           | 1    | Top                    |
| 5610           | 1    | Bottom                 |
| 7003PPL        | 2    | Plastic Latch Assembly |
| 8003           | 1    | O-ring                 |
| 56PS           | 1    | Perimeter Seal         |
| KK             | 1    | Plastic Key Set        |
| 9056           | 1    | 56 Foam Set            |

SEE NOTE 2 FOR  
COLORS AVAILABLE

# SE56 Perimeter Seal

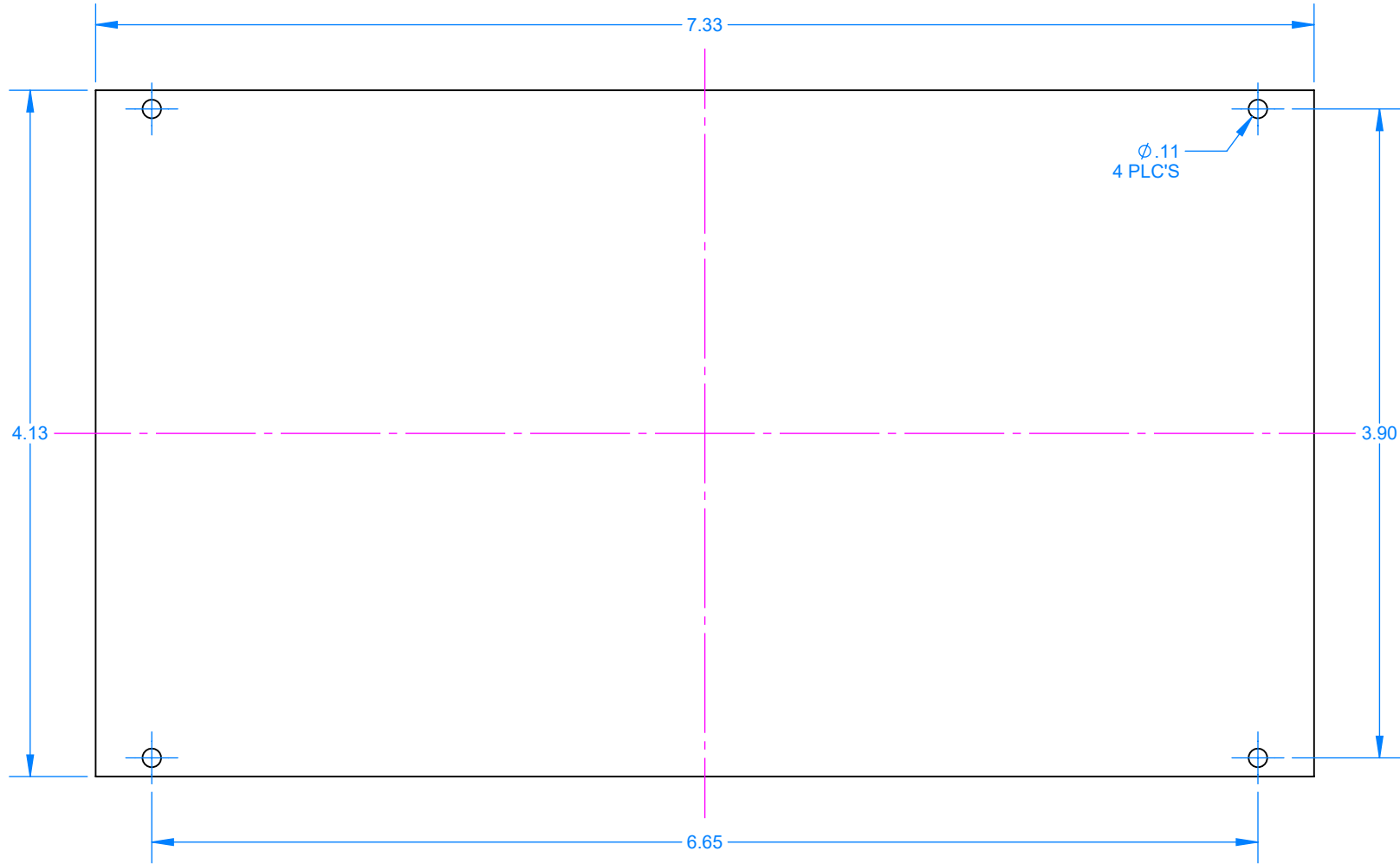
**SEAHORSE**  
PROTECTIVE EQUIPMENT CASES



SECTION E-E

# Top Mounting Panel for SE56

**SEAHORSE**  
PROTECTIVE EQUIPMENT CASES



# Bottom Mounting Panel for SE56

**SEAHORSE**  
PROTECTIVE EQUIPMENT CASES

