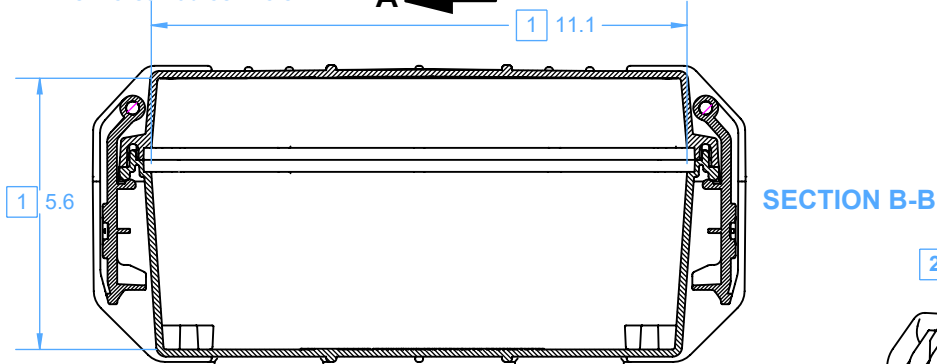
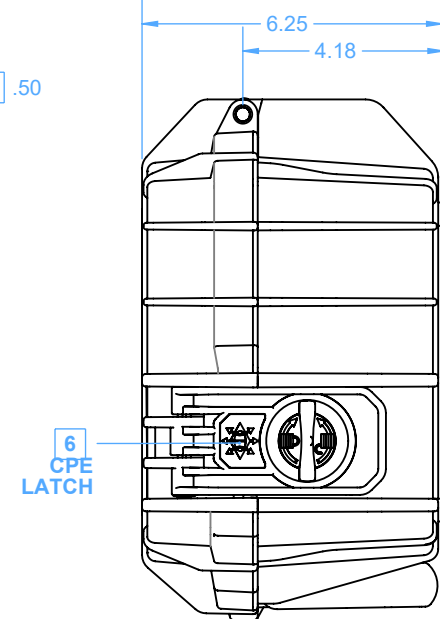
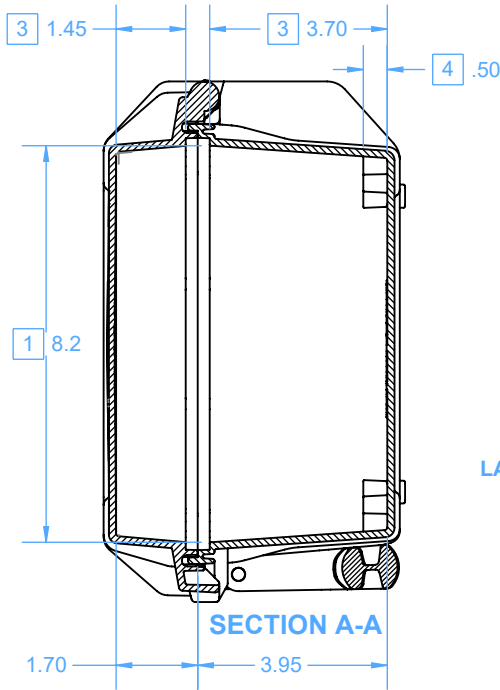
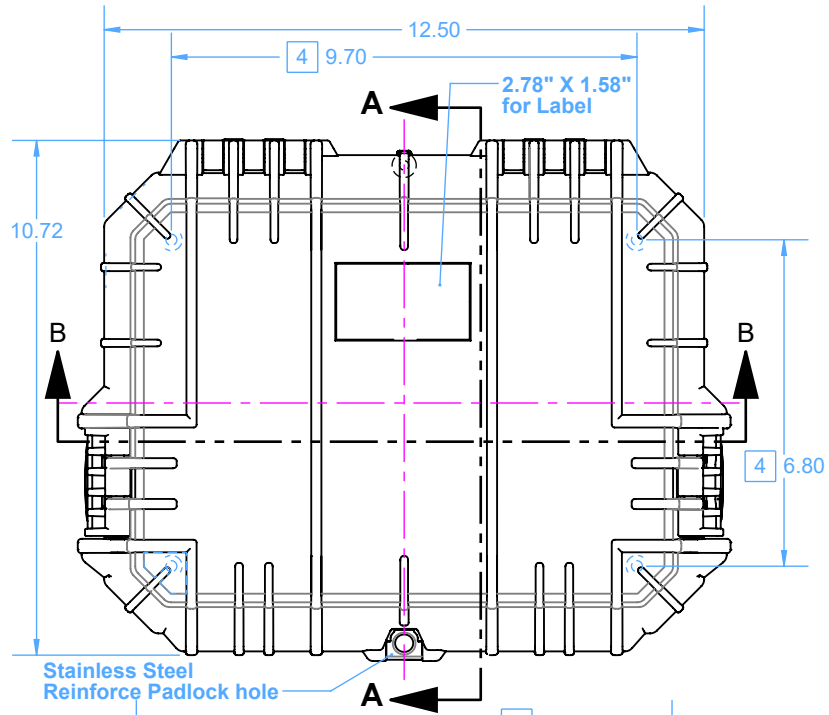
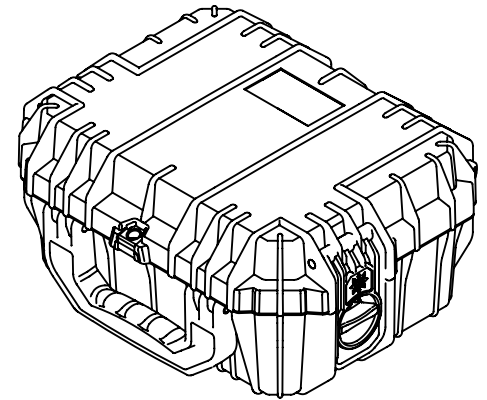
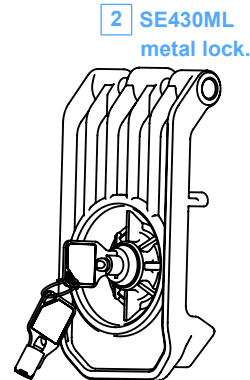
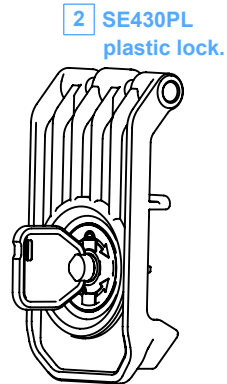


SE430

SEAHORSE PROTECTIVE EQUIPMENT CASES



SECTION B-B



NOTES:

- 1) Max. usable inside dimensions are:
11.1" X 8.2" X 5.6" (5.1" to top of bosses)
- 2) With Metal Lock Latches p/n SE430ML and Plastic Lock Latches p/n SE430PL are optional.
- 3) Dimensions to bottom of panel flange.
- 4) Bosses on bottom use a 1/4" self tapping screw.
- 5) Weight empty/w-foam: 3.65/4.0 lb.
Buoyancy: 15 lb.
Weight Capacity: 40 lb.
- 6) CPE = Continues Pressure Equalization latch.

Bottom mounting plate for SE430

SEAHORSE
PROTECTIVE EQUIPMENT CASES

