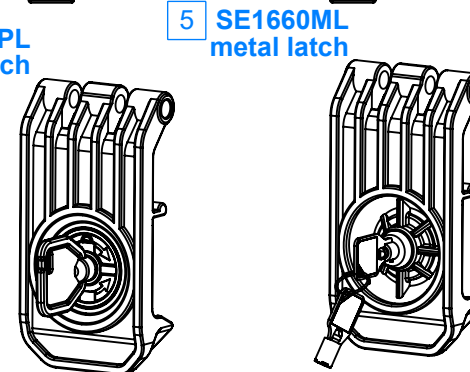
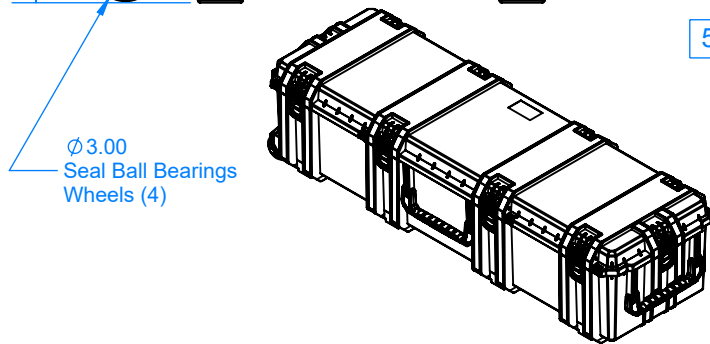
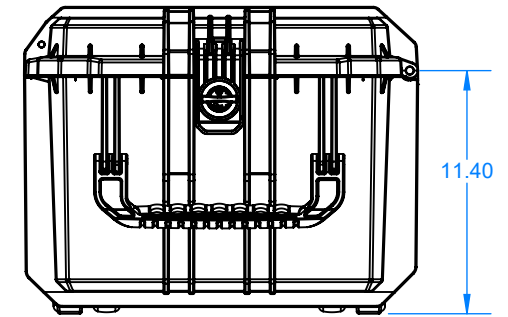
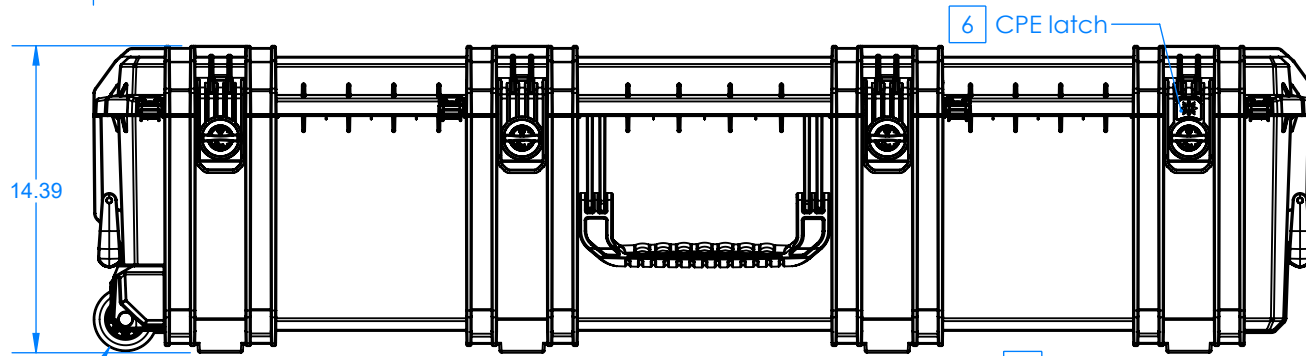
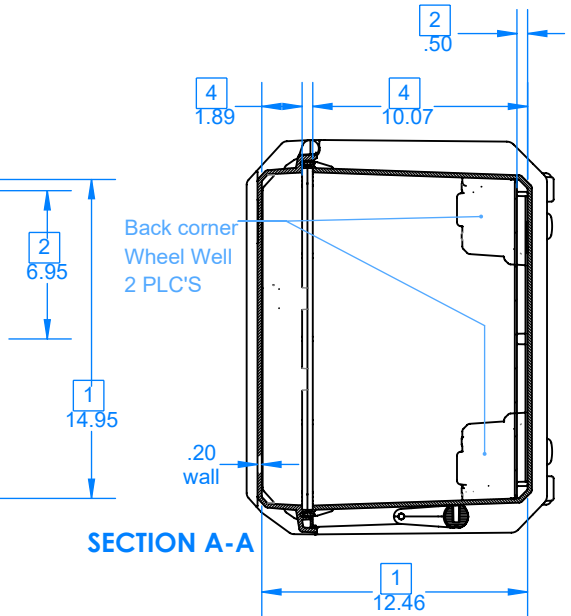
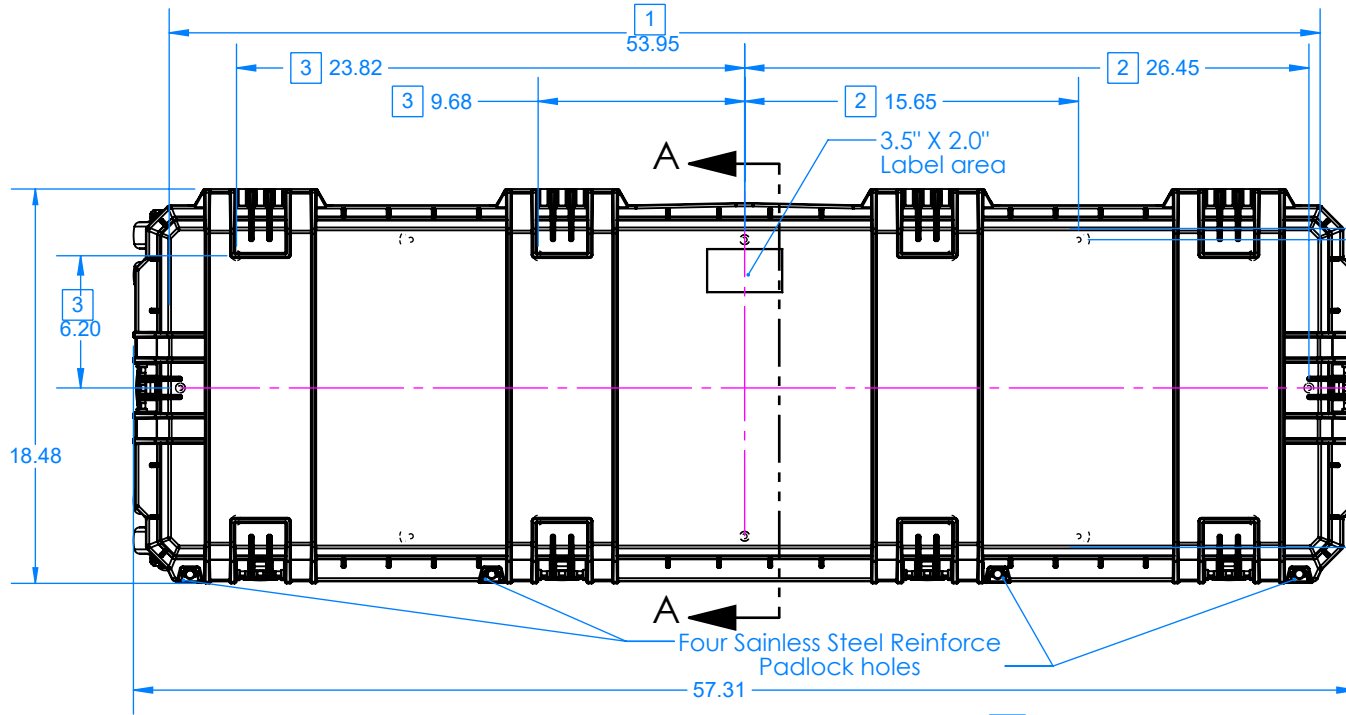


SE 1660

SEAHORSE PROTECTIVE EQUIPMENT CASES

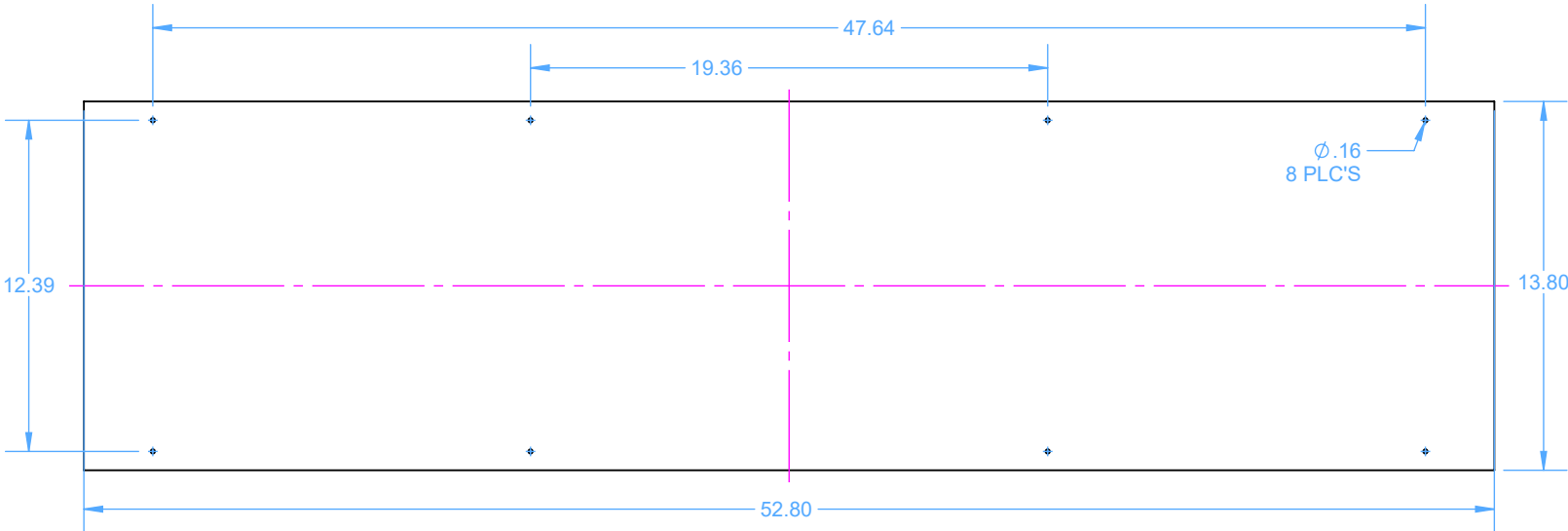


NOTES:

- 1) Max. usable inside dimensions are: 53.9" X 14.9" X 12.4" (11.9" top of boss)
- 2) Bosses @ bottom use a # 1/4 self tapping screw.
- 3) Top @ bottom use a # 10 self tapping screw.
- 4) Dimensions to bottom of panel flange.
- 5) Optional latches with Metal Lock specify p/n 1660ML
Optional latches with Plastic Lock specify p/n 1660PL
- 6) CPE = Continues Pressure Equalization latch.

Top mounting plate for SE1660

SEAHORSE
PROTECTIVE EQUIPMENT CASES



Bottom mounting plate for SE1660

SEAHORSE
PROTECTIVE EQUIPMENT CASES

