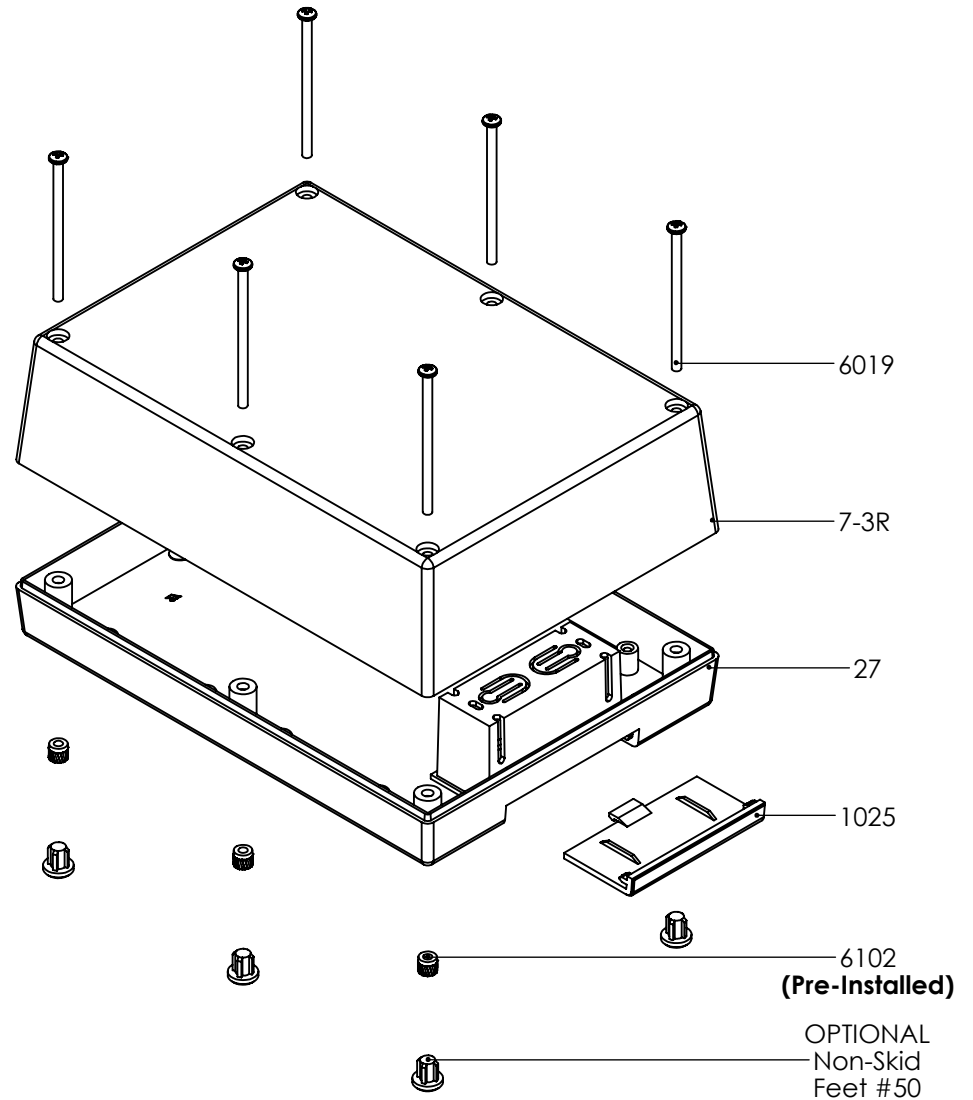
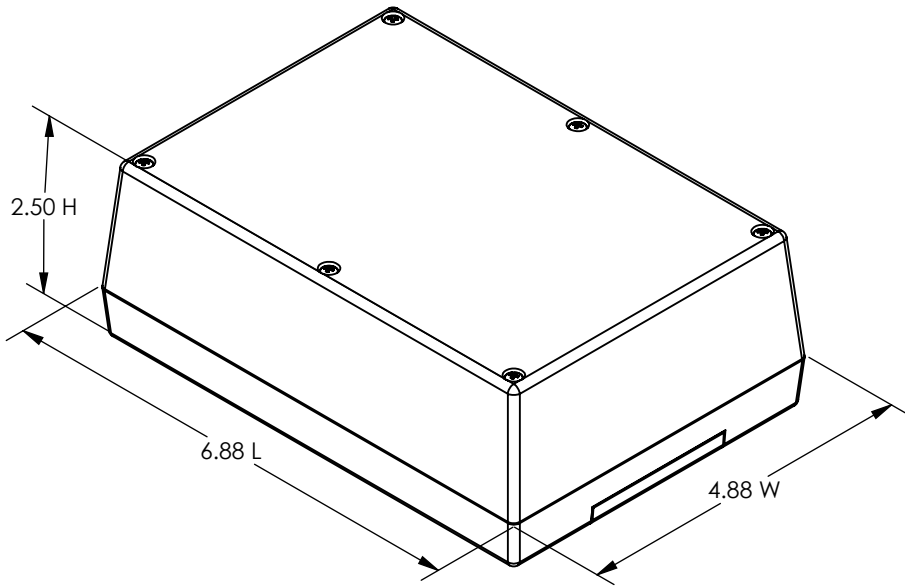


SERPAC 273R

ELECTRONIC ENCLOSURES

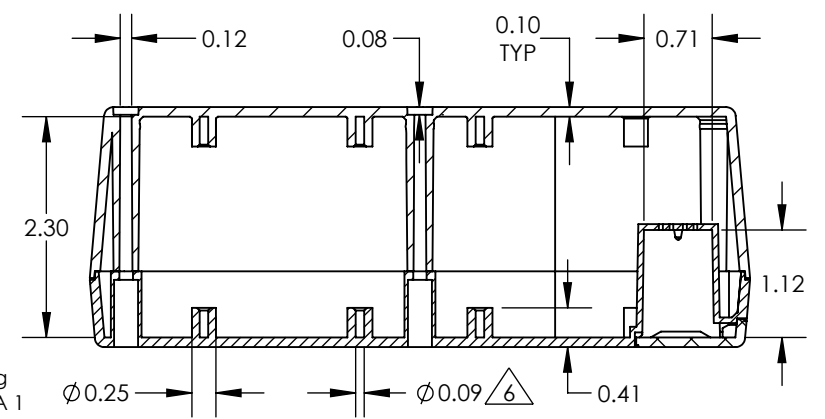
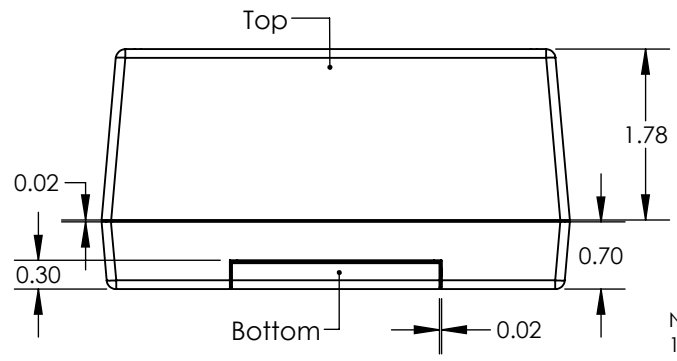
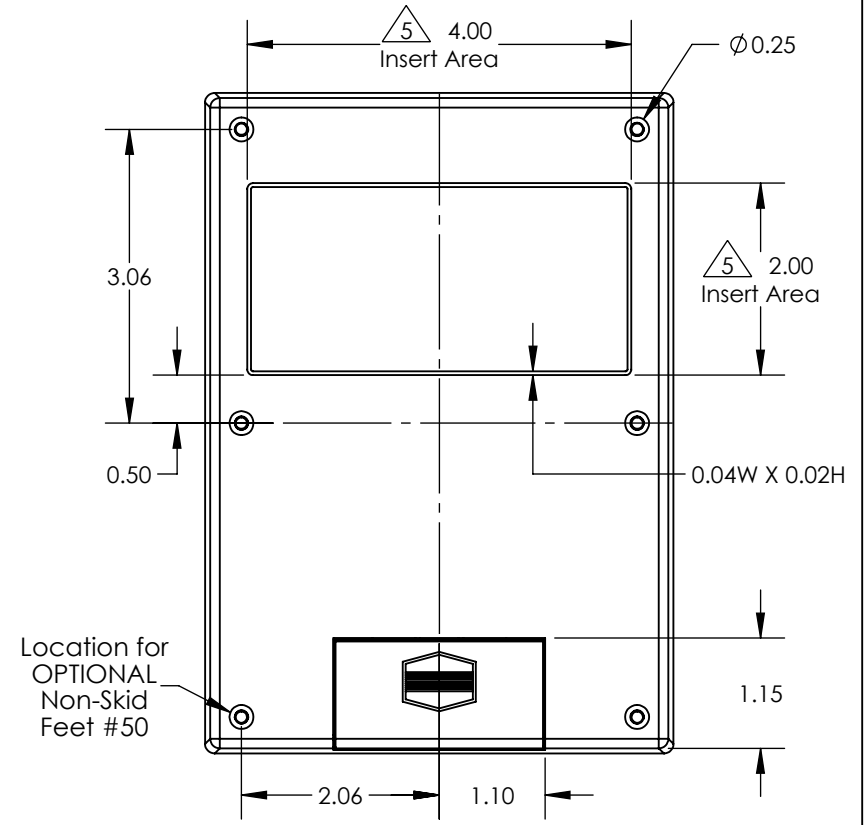
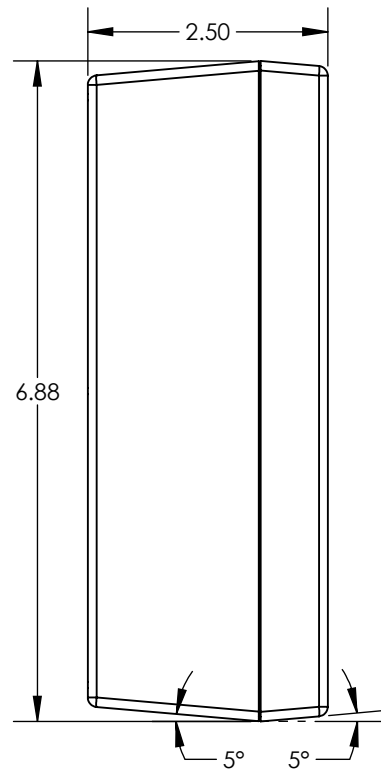
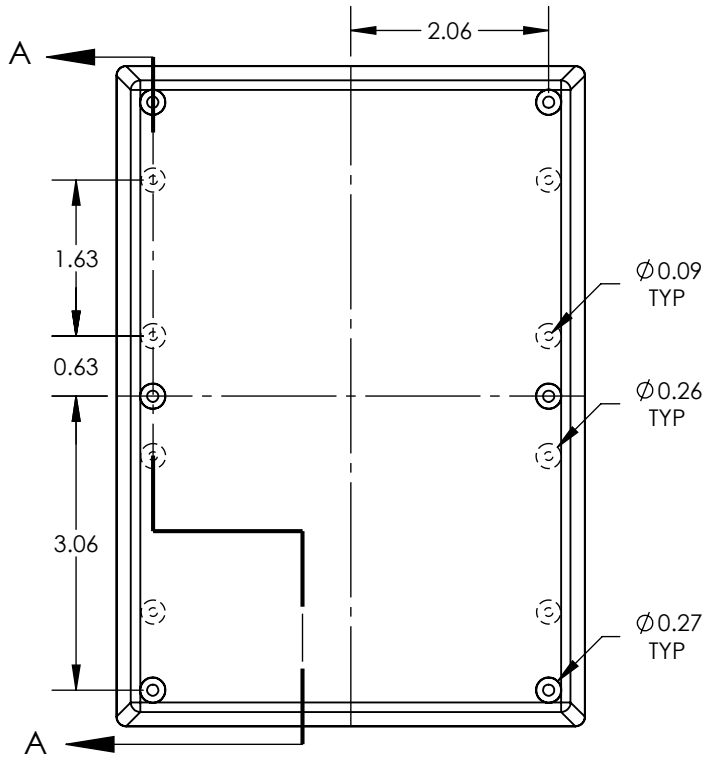


PART NO.	DESCRIPTION (Included)	ACCESSORIES (Optional)	
		PART NO.	DESCRIPTION
7-3R	Top	1040	2AA Battery Holder
27	9V Bottom	50	Non-skid Feet
1025	Battery Cover	60	Standoff Hole
6019	4-40 x 2" Screw (6)	61	Standoff Post
6102	4-40 Threaded Inserts (6)		

Notes: Enclosure weight .51 lb / 233 g
 1) Enclosure meets or exceeds IP40 and NEMA 1
 2) Circuit Board drawings see sheet 3.
 3) All components are RoHS Compliant.
 4) Material: Top and Bottom ABS.

SERPAC 273R

ELECTRONIC ENCLOSURES



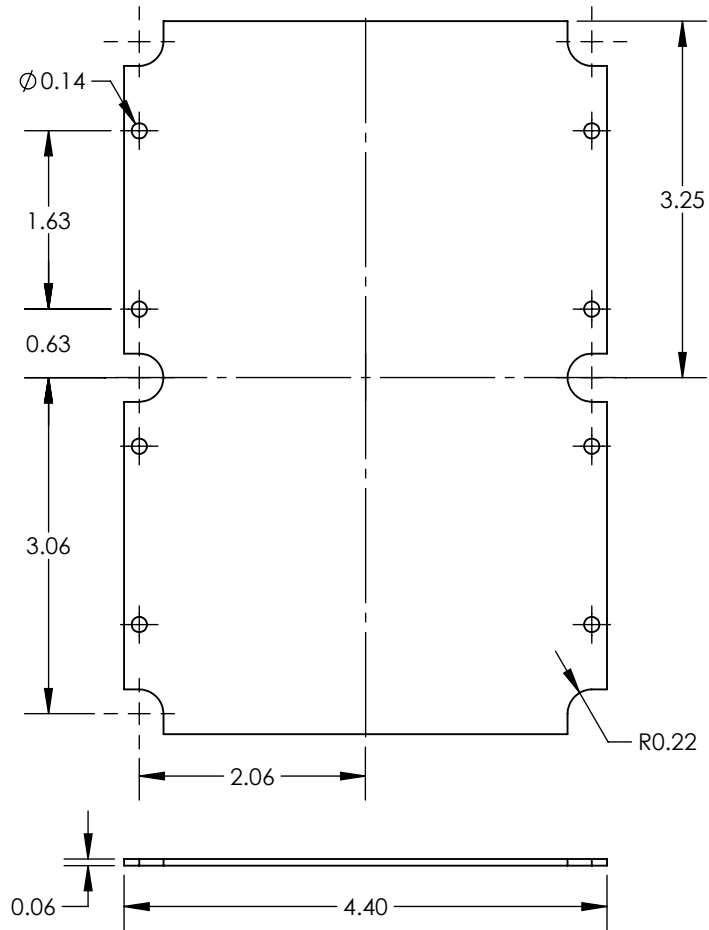
- Notes:
- 1) Enclosure weight .51 lb / 233 g
 - 2) Enclosure meets or exceeds IP40 and NEMA 1
 - 3) Circuit Board drawings see sheet 3.
 - 4) All components are RoHS Compliant.
 - 5) Material: Top and Bottom ABS.
 - 6) PCB Bosses accept #4 self tapping screw.

SECTION A-A

SERPAC 273R CIRCUIT BOARD

ELECTRONIC ENCLOSURES

Top Option



Bottom Option

