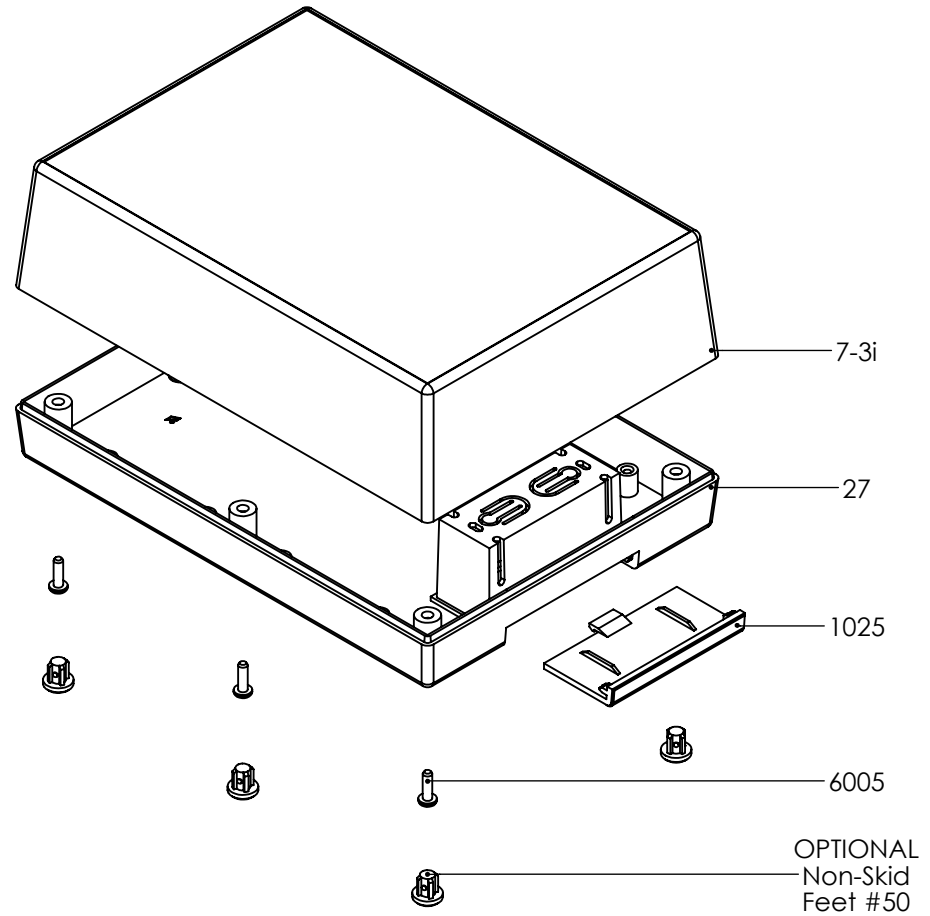
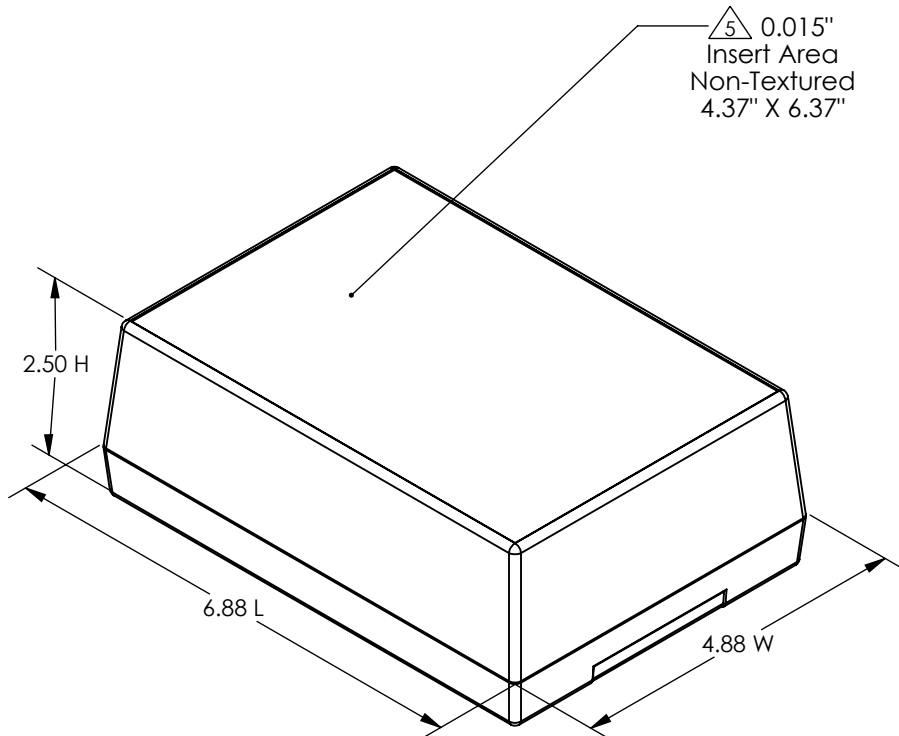


SERPAC 273i

ELECTRONIC ENCLOSURES

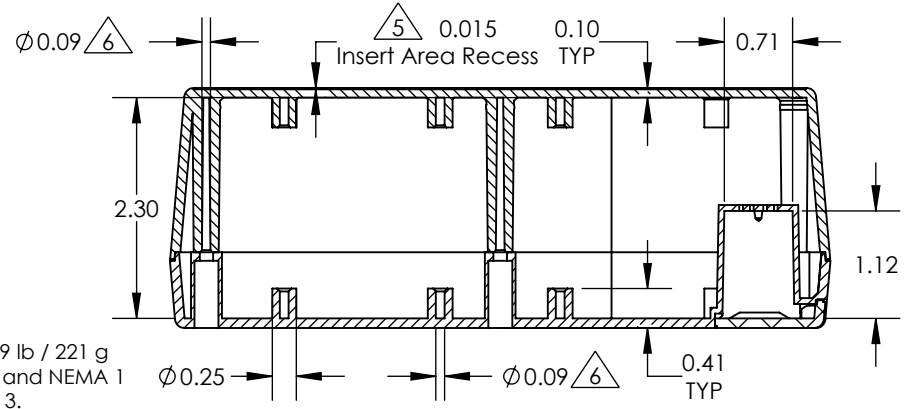
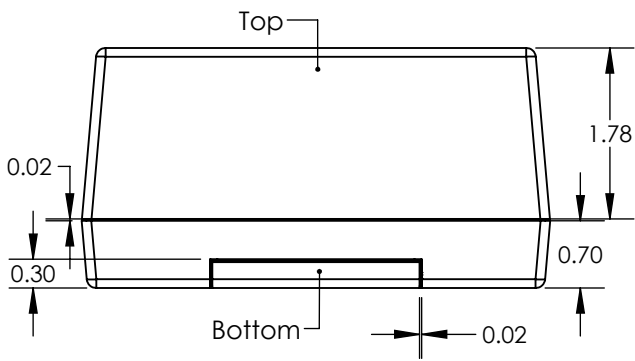
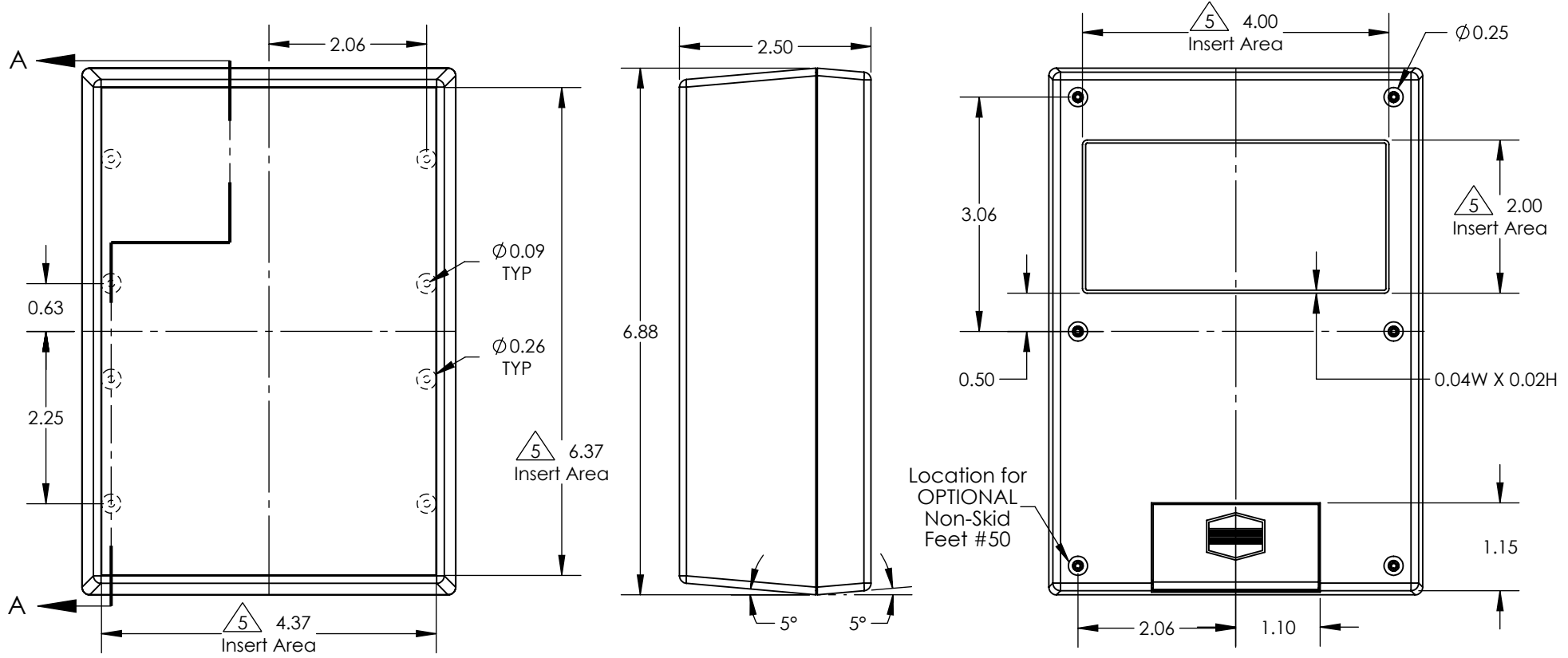


PART NO.	DESCRIPTION (Included)	ACCESSORIES (Optional)	
7-3i	Top	PART NO.	DESCRIPTION
27	9V Bottom	1040	2AA Battery Holder
6005	#4X3/8" Self-Tapping Screw (6)	50	Non-skid Feet
1025	Battery Cover	60	Standoff Hole
		61	Standoff Post

Notes: Enclosure weight .49 lb / 221 g
 1) Enclosure meets or exceeds IP40 and NEMA 1
 2) Circuit Board drawings see sheet 3.
 3) All components are RoHS Compliant.
 4) Material: Top and Bottom ABS.
 5) Customizable molding areas. △ 5

SERPAC 273i

ELECTRONIC ENCLOSURES



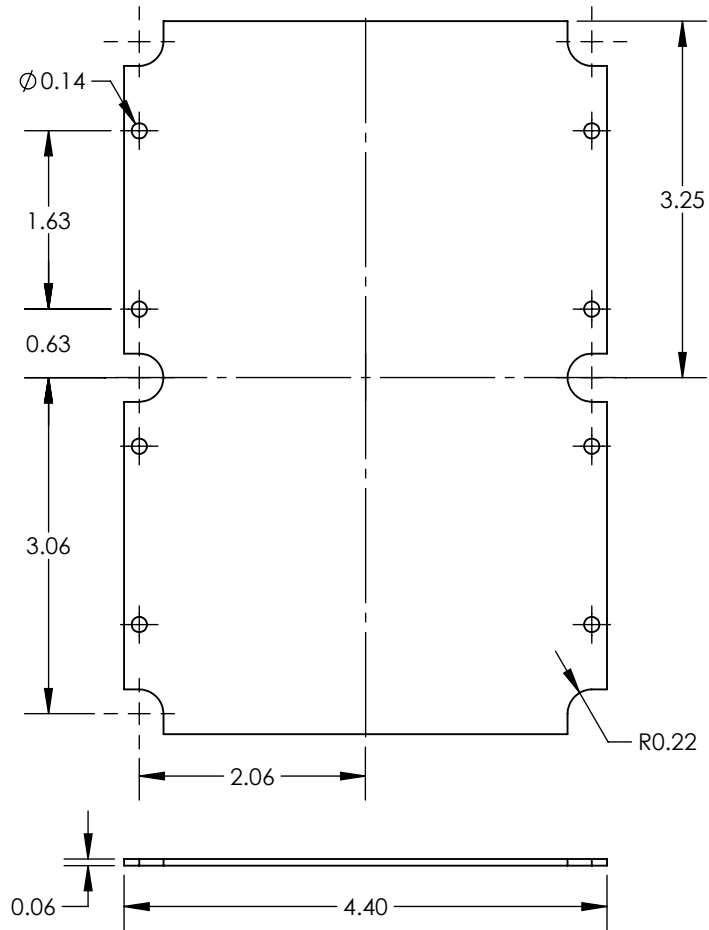
- Notes:
- Enclosure weight .49 lb / 221 g
 - 1) Enclosure meets or exceeds IP40 and NEMA 1
 - 2) Circuit Board drawings see sheet 3.
 - 3) All components are RoHS Compliant.
 - 4) Material: Top and Bottom ABS.
 - 5) Customizable molding areas. $\triangle 5$
 - 6) PCB Bosses accept #4 self tapping screw. $\triangle 6$

SECTION A-A

SERPAC 273i CIRCUIT BOARD

ELECTRONIC ENCLOSURES

Top Option



Bottom Option

