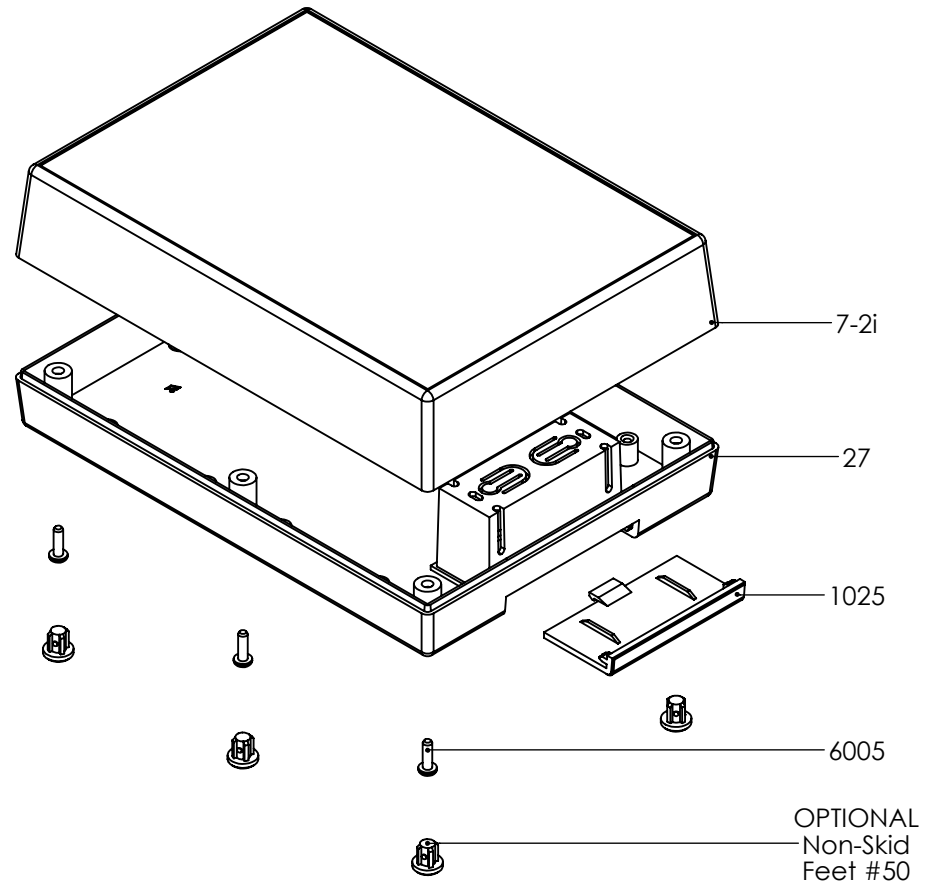
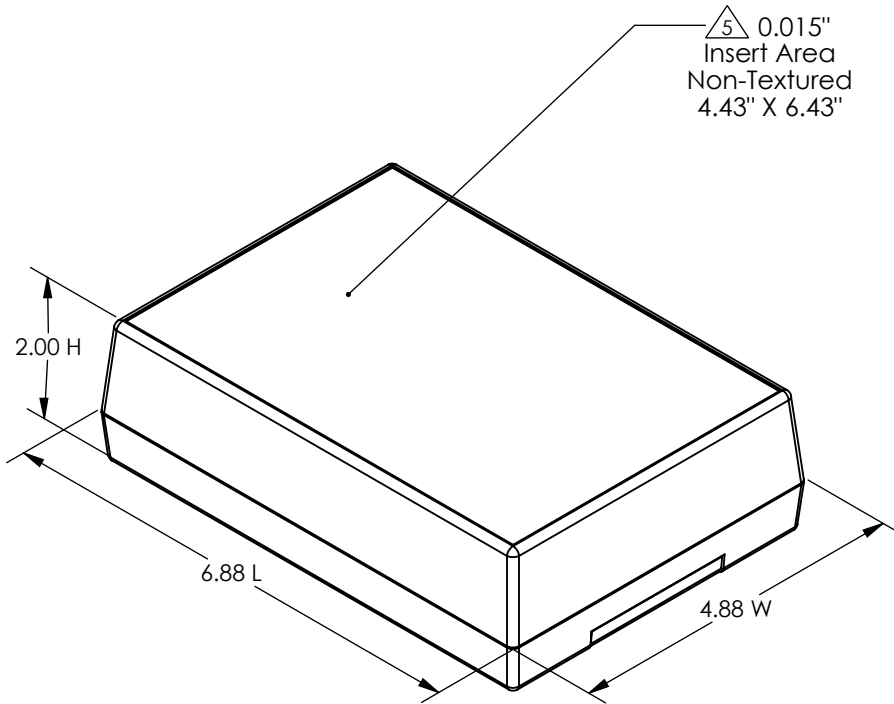


# SERPAC 272i

ELECTRONIC ENCLOSURES

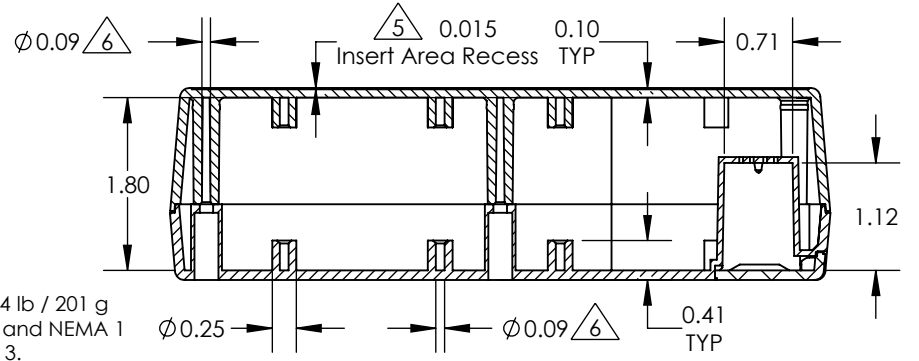
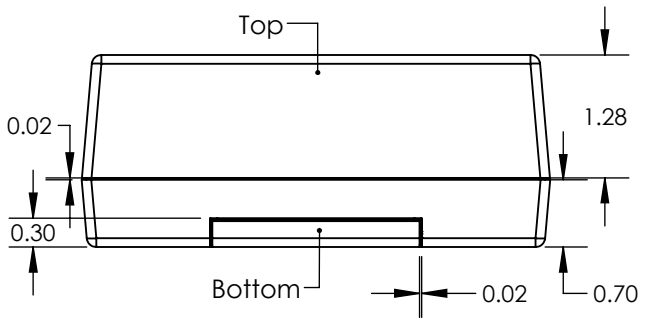
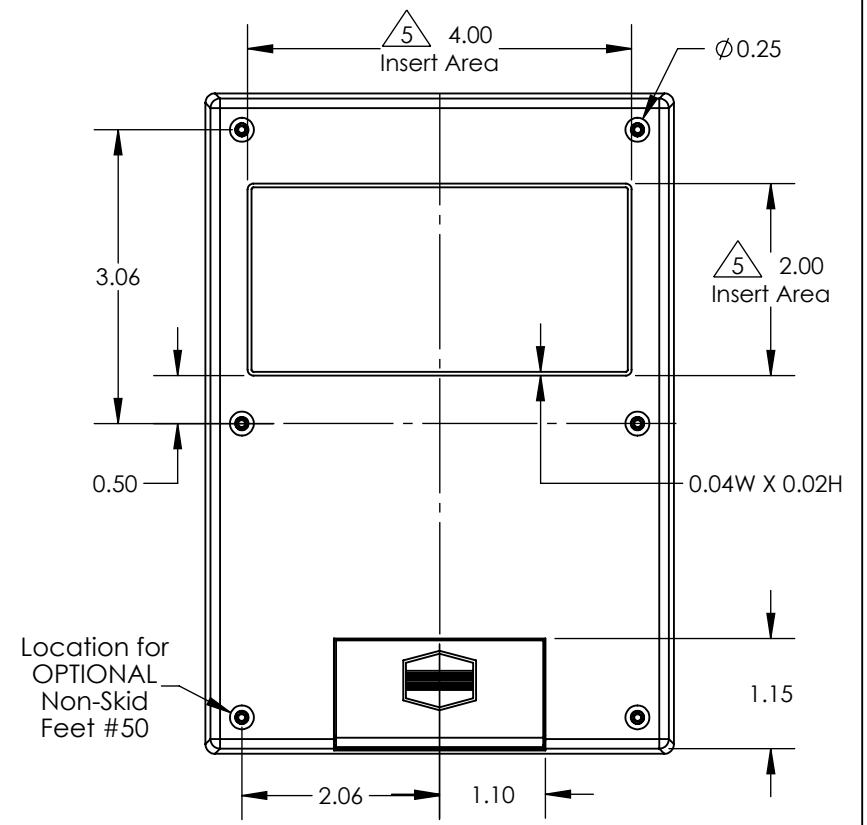
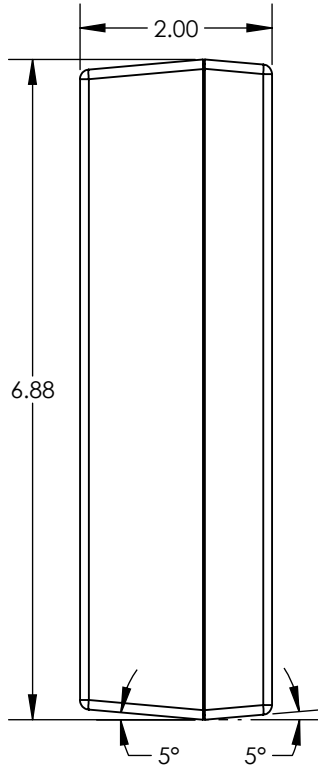
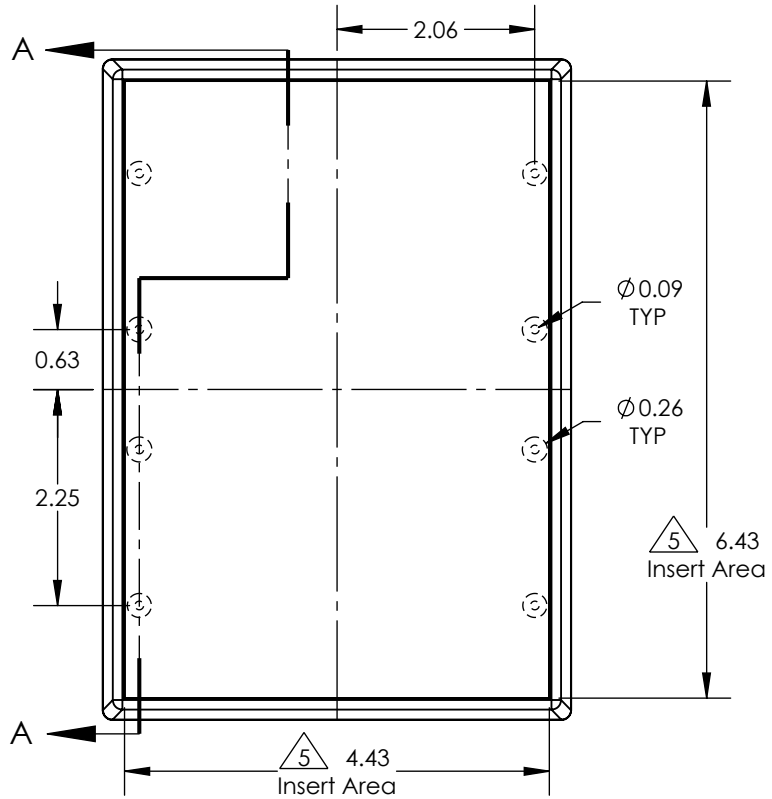


PART NO.	DESCRIPTION (Included)	ACCESSORIES (Optional)	
7-2i	Top	PART NO.	DESCRIPTION
27	9V Bottom	1040	2AA Battery Holder
6005	#4X3/8" Self-Tapping Screw (6)	50	Non-skid Feet
1025	Battery Cover	60	Standoff Hole
		61	Standoff Post

Notes: Enclosure weight .44 lb / 201 g  
 1) Enclosure meets or exceeds IP40 and NEMA 1  
 2) Circuit Board drawings see sheet 3.  
 3) All components are RoHS Compliant.  
 4) Material: Top and Bottom ABS.  
 5) Customizable molding areas.  $\triangle 5$

# SERPAC 272i

ELECTRONIC ENCLOSURES

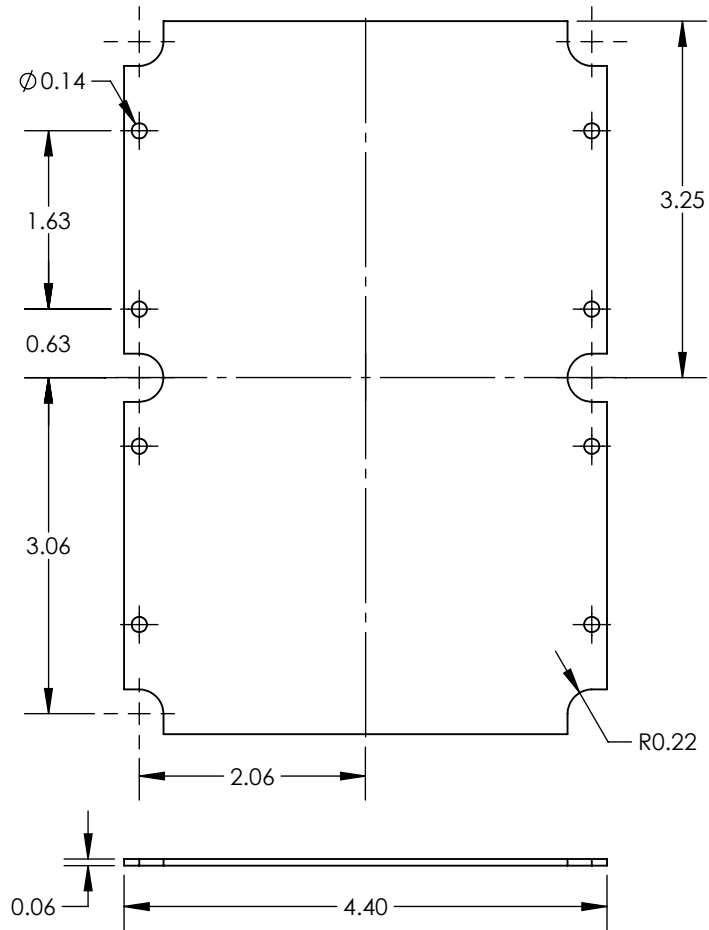


- Notes:
- 1) Enclosure weight .44 lb / 201 g
  - 2) Enclosure meets or exceeds IP40 and NEMA 1
  - 3) Circuit Board drawings see sheet 3.
  - 4) All components are RoHS Compliant.
  - 5) Material: Top and Bottom ABS.
  - 6) Material: Top and Bottom ABS.
  - 7) Customizable molding areas.  $\triangle 5$
  - 8) PCB Bosses accept #4 self tapping screw.  $\triangle 6$

# SERPAC 272i CIRCUIT BOARD

ELECTRONIC ENCLOSURES

## Top Option



## Bottom Option

