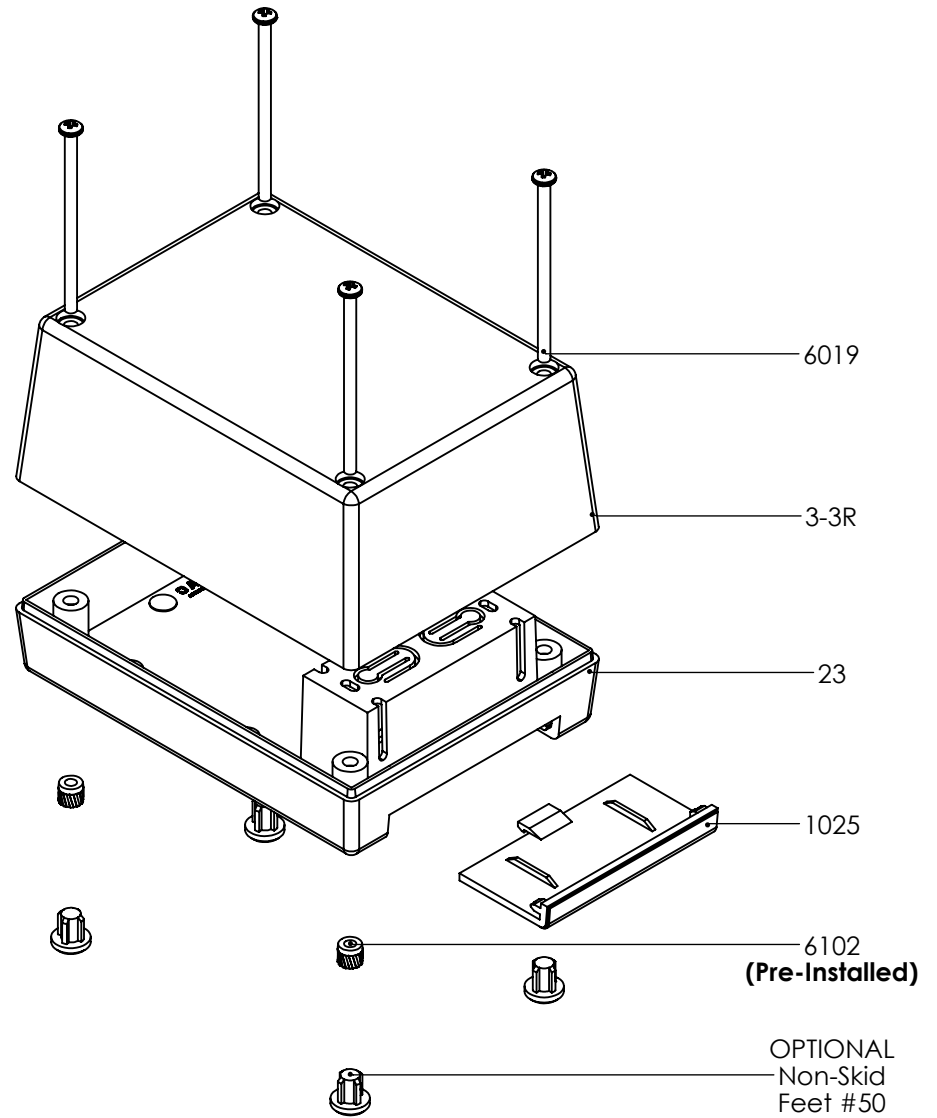
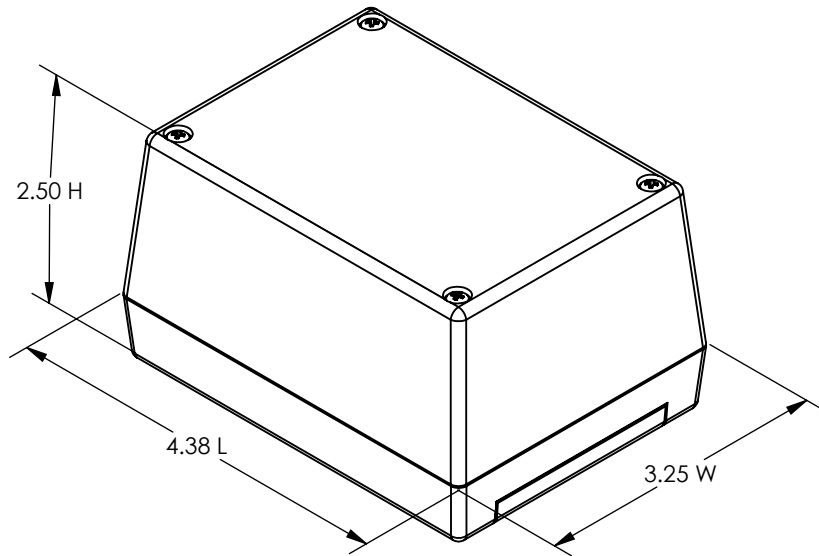


SERPAC 233R

ELECTRONIC ENCLOSURES



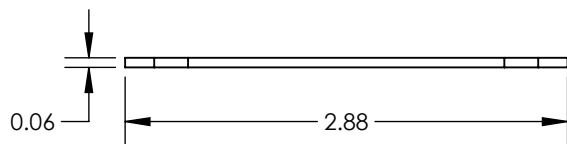
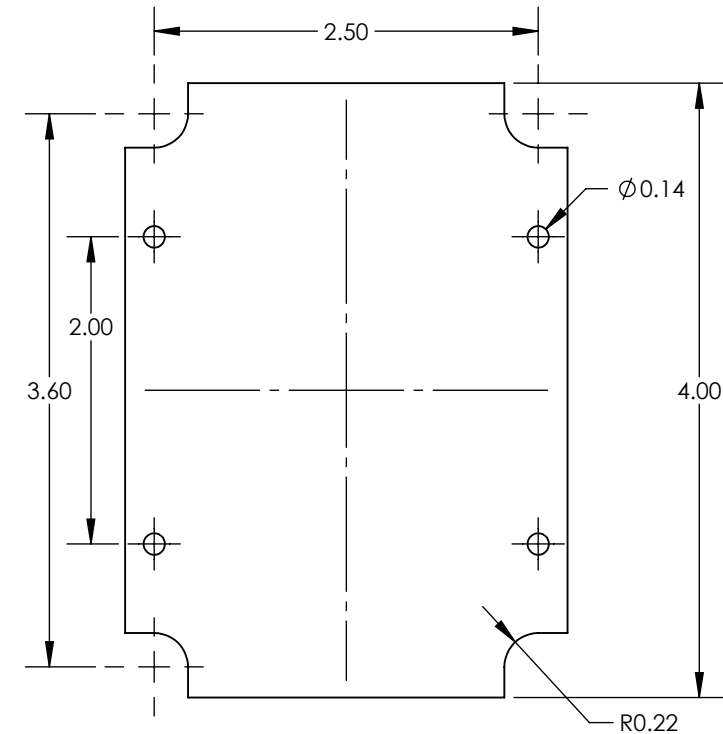
PART NO.	DESCRIPTION (Included)	ACCESSORIES (Optional)	
3-3R	Top	PART NO.	DESCRIPTION
23	9V Bottom	1040	2AA Battery Holder
1025	Battery Cover	50	Non-skid Feet
6019	4-40 x 2" Screw (4)	60	Standoff Hole
6102	4-40 Threaded Inserts (4)	61	Standoff Post
		55	Key Holder
		1030	Pocket Clip

Notes: Enclosure weight .26 lb / 119 g
 1) Enclosure meets or exceeds IP40 and NEMA 1
 2) Circuit Board drawings see sheet 3.
 3) All components are RoHS Compliant.
 4) Material: Top and Bottom ABS.
 5) Customizable molding areas.

SERPAC 233R CIRCUIT BOARD

ELECTRONIC ENCLOSURES

Top Option



Bottom Option

