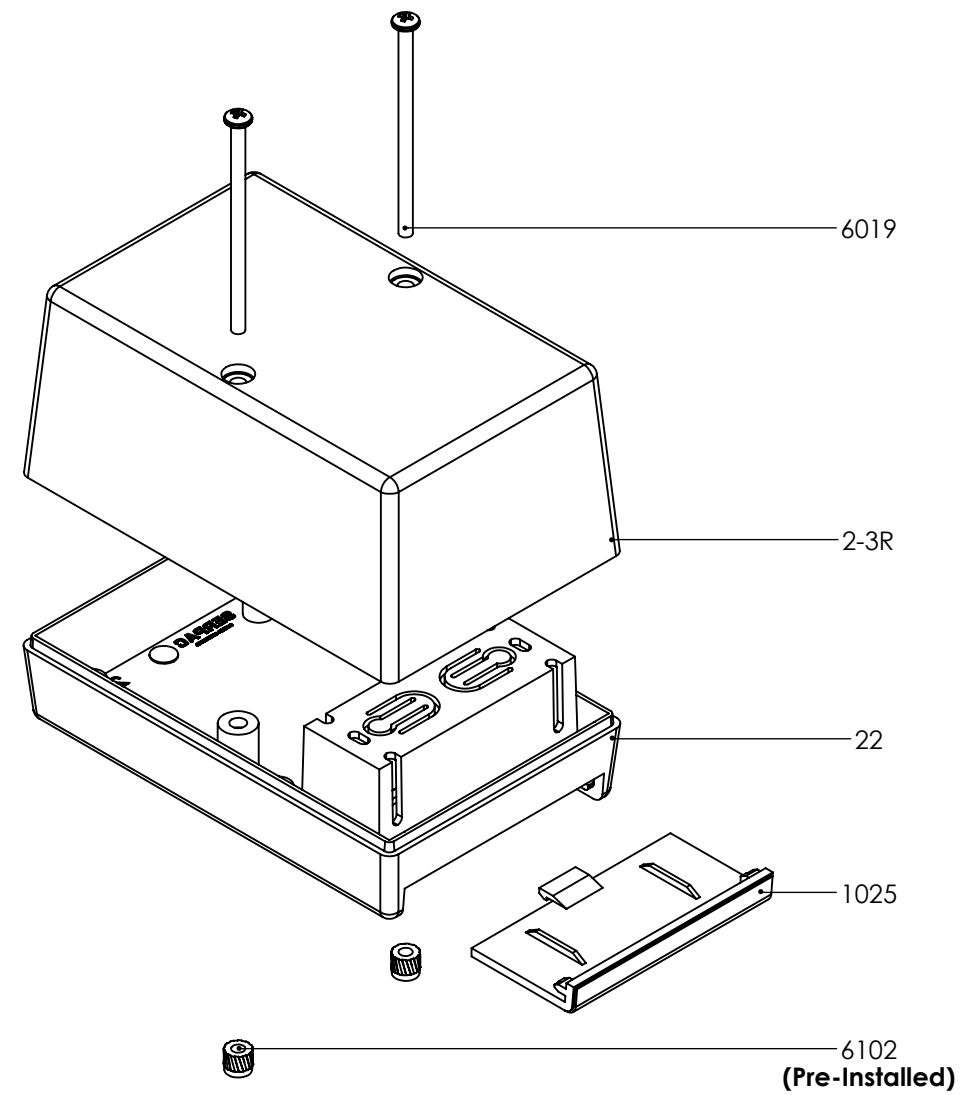
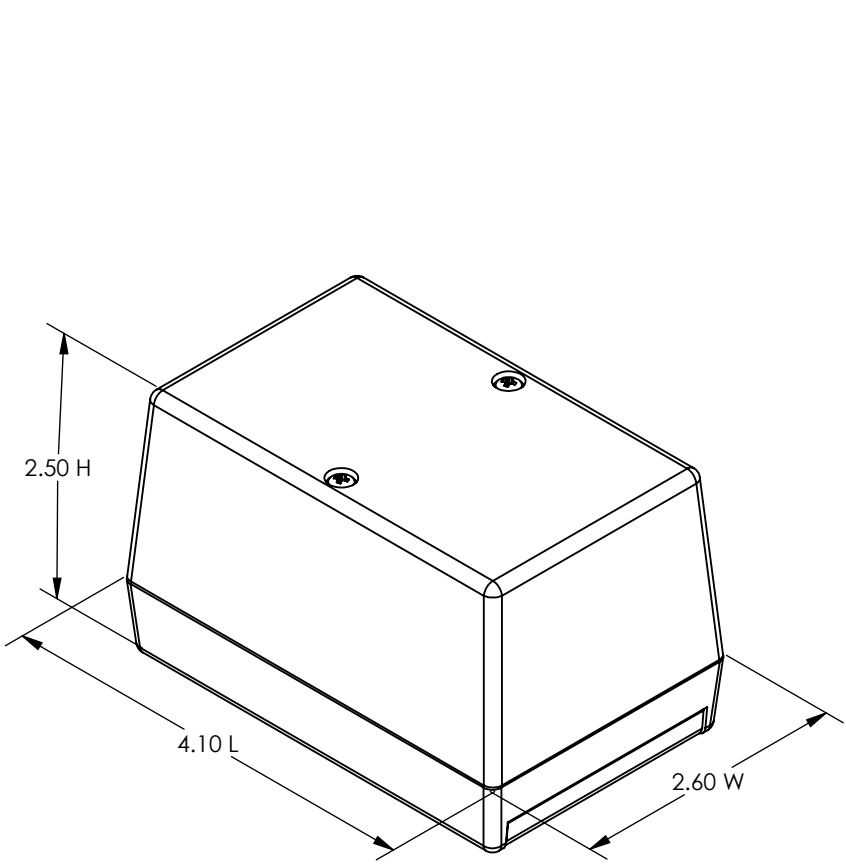


# SERPAC 223R

ELECTRONIC ENCLOSURES

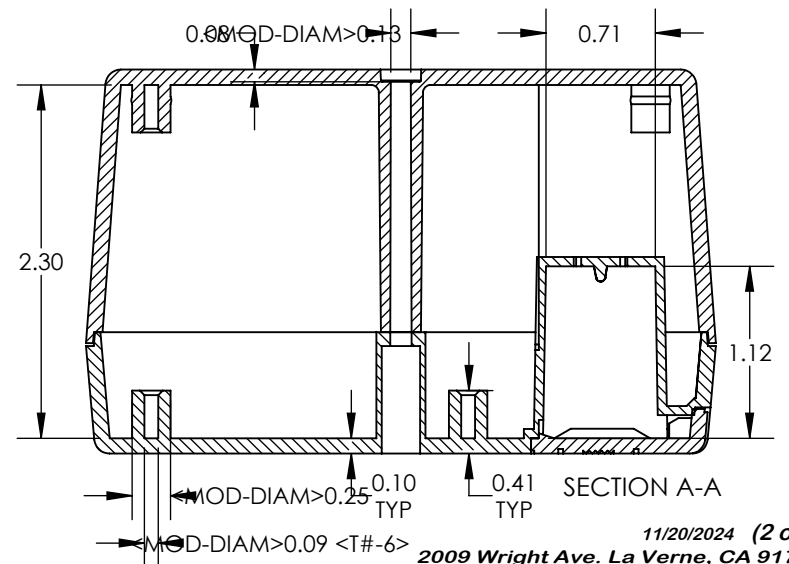
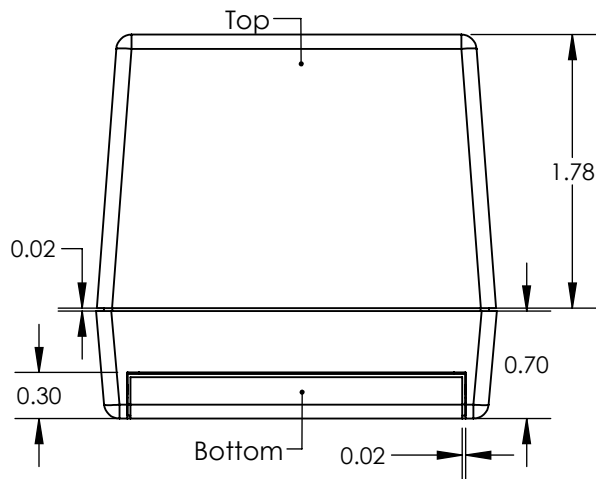
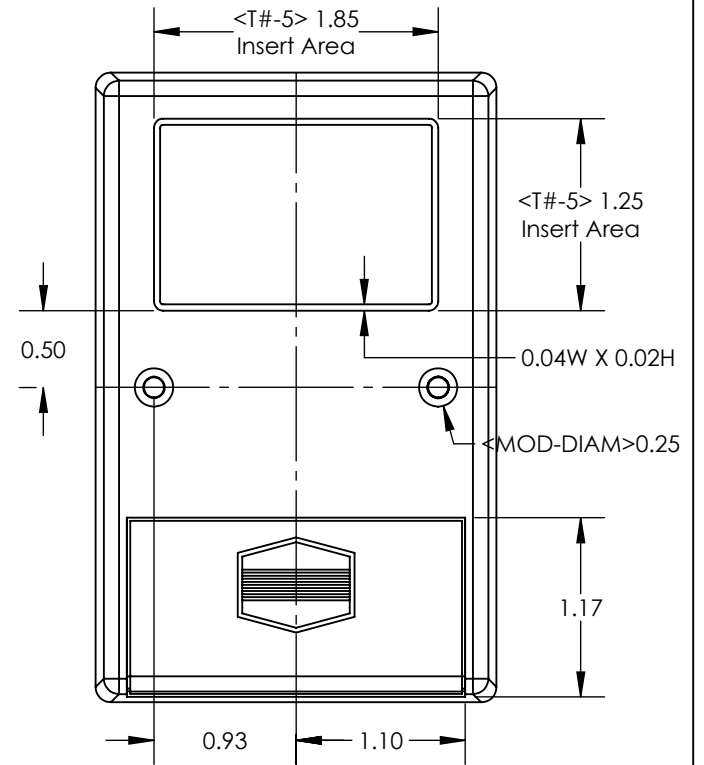
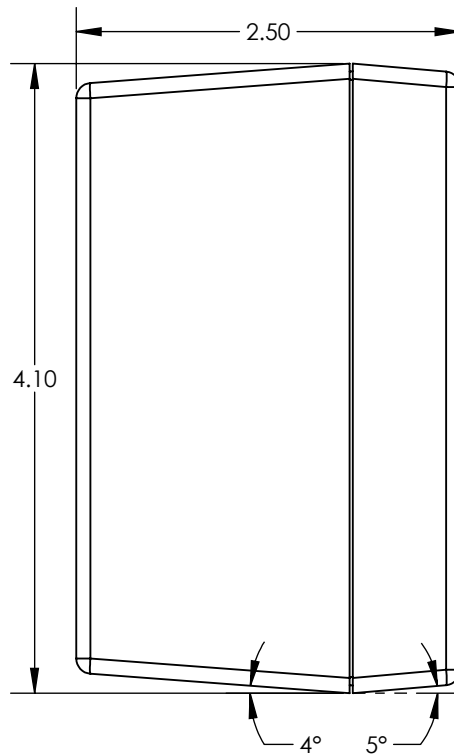
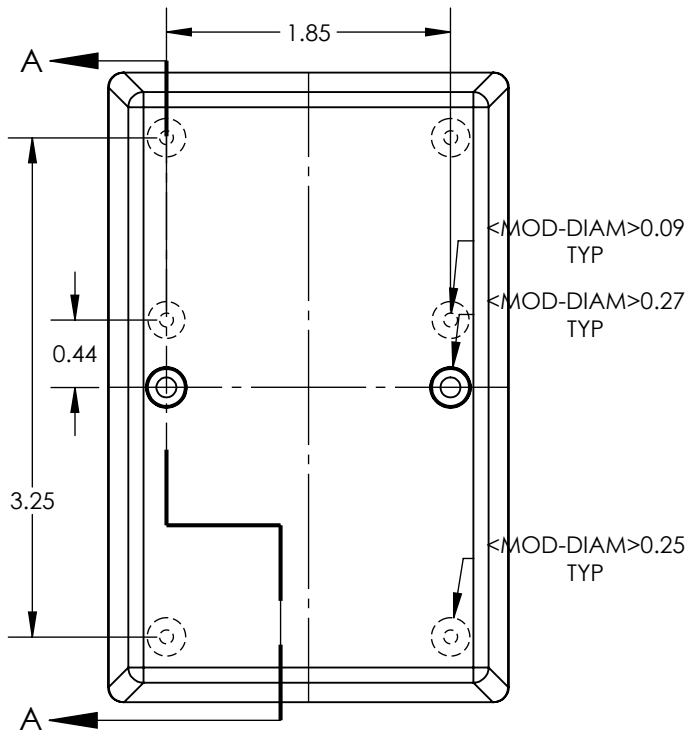


PART NO.	DESCRIPTION (Included)	ACCESSORIES (Optional)	
		PART NO.	DESCRIPTION
2-3R	Top	60	Standoff Hole
22	9V Bottom	61	Standoff Post
1025	Battery Cover	55	Key Holder
6019	4-40 x 2" Screw (2)	1030	Pocket Clip
6102	4-40 Threaded Inserts (2)		

Notes: Enclosure weight .22 lb / 102 g  
 1) Enclosure meets or exceeds IP40 and NEMA 1  
 2) Circuit Board drawings see sheet 3.  
 3) All components are RoHS Compliant.  
 4) Material: Top and Bottom ABS.

# SERPAC 223R

ELECTRONIC ENCLOSURES

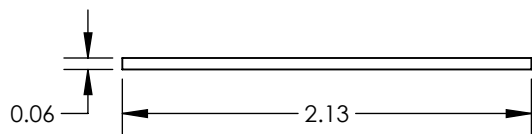
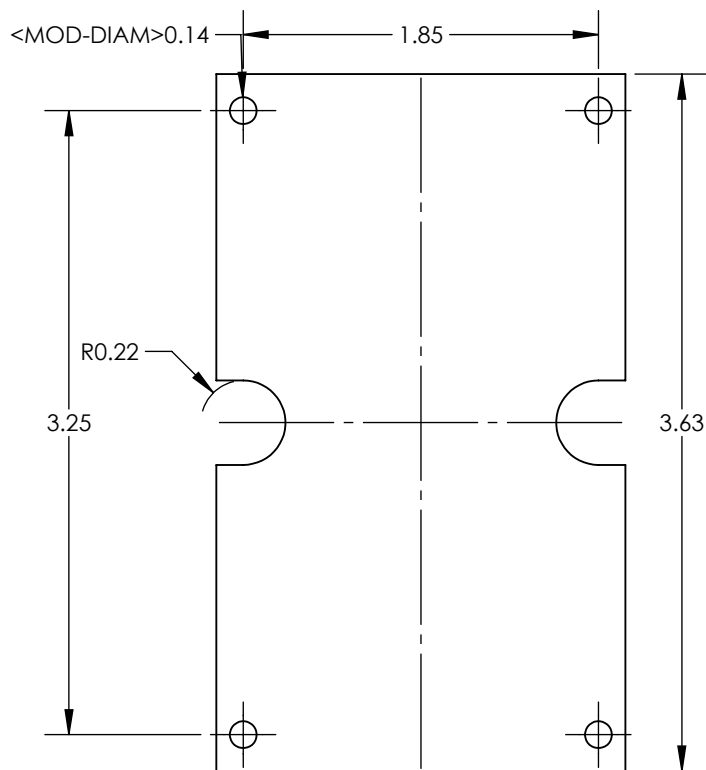


- Notes:
- 1) Enclosure weight .22 lb / 102 g
  - 2) Circuit Board drawings see sheet 3.
  - 3) All components are RoHS Compliant.
  - 4) Material: Top and Bottom ABS.
  - 5) Customizable molding areas.
  - 6) PCB Bosses accept #4 self tapping screw.

# SERPAC 223R CIRCUIT BOARD

ELECTRONIC ENCLOSURES

## Top Option



## Bottom Option

