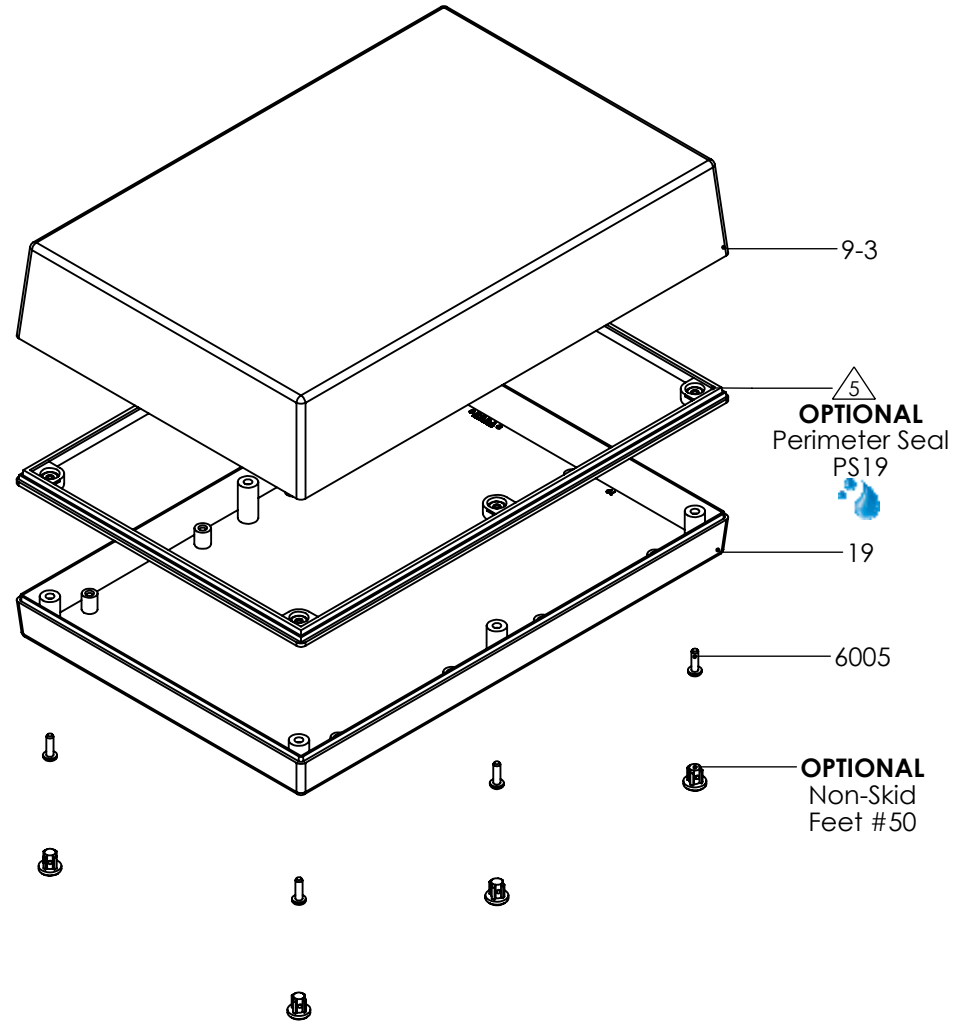
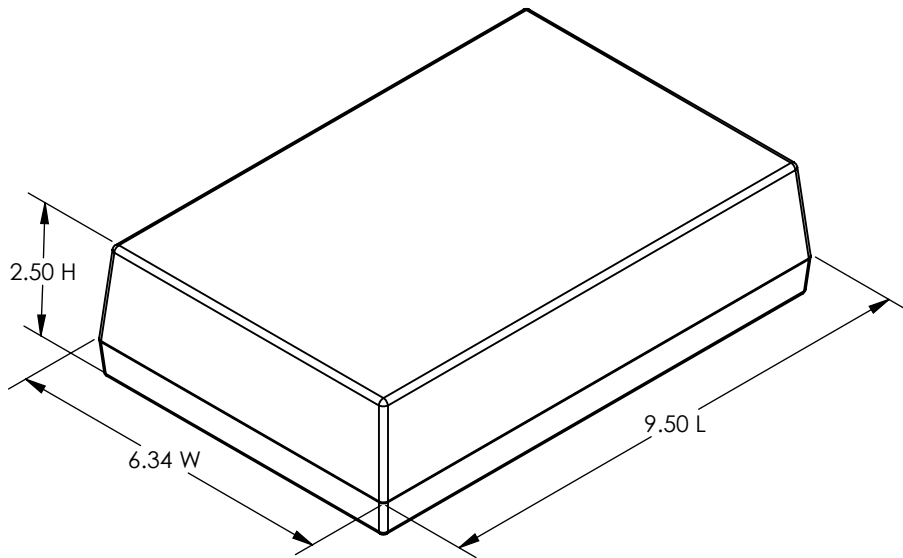


# SERPAC 193

ELECTRONIC ENCLOSURES

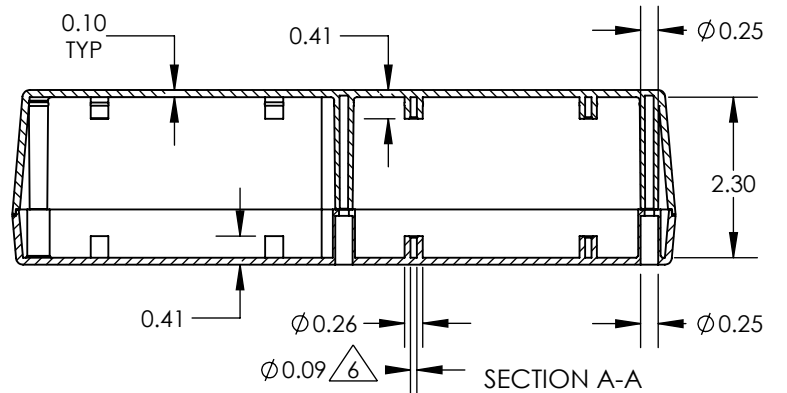
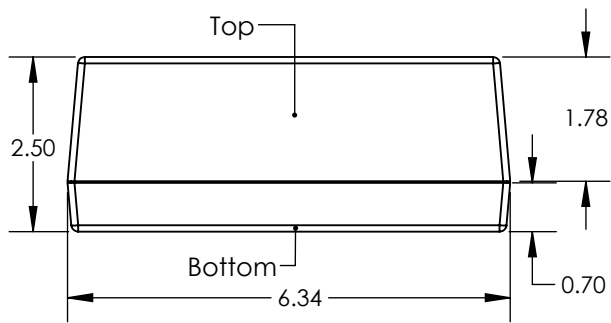
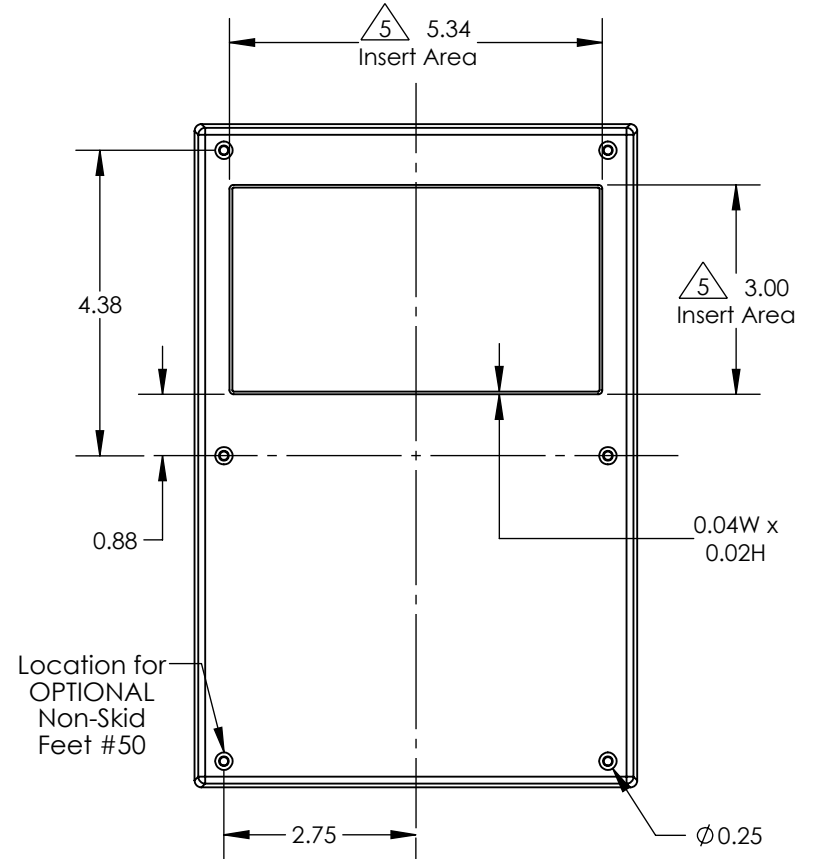
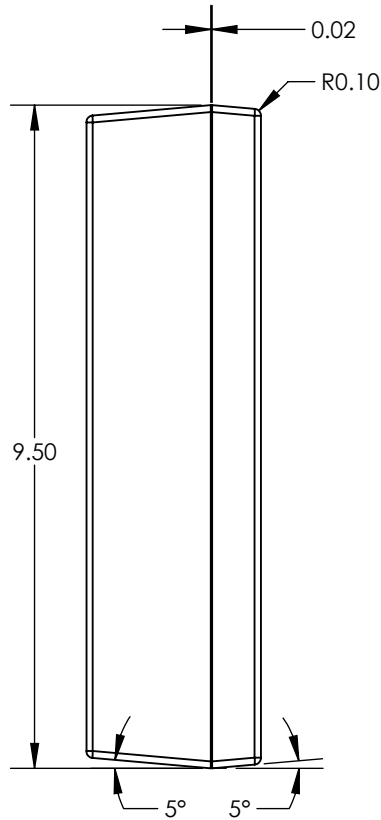
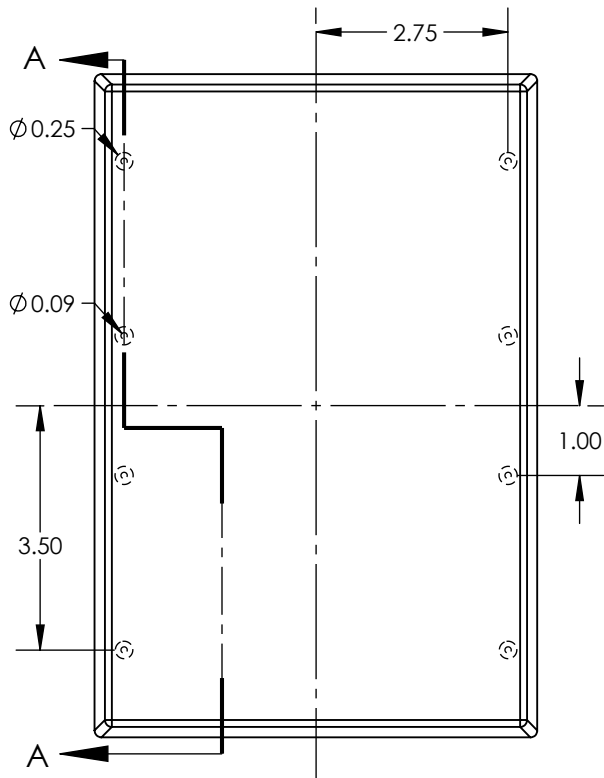


PART NO.	DESCRIPTION (Included)	ACCESSORIES (Optional)	
9-3	Top	PART NO.	DESCRIPTION
19	Bottom	PS19	Waterproof Perimeter Seal
6005	#4X3/8" Self-Tapping Screw (6)	1040	2AA Battery Holder
		60	Standoff Hole
		61	Standoff Post
		50	Non-Skid Feet

Notes: Enclosure weight .72 lb / 327 g  
 1) Enclosure meets or exceeds IP40 and NEMA 1  
 2) Circuit Board drawings see sheet 3.  
 3) All components are RoHS Compliant.  
 4) Material: Top and Bottom ABS.  
 5) When used with PS19 the enclosure meets or exceeds IP 67 and NEMA 4X, 12 and 13 MIL-STD-810G 506.5 (.04 lb / 19g)

# SERPAC 193

ELECTRONIC ENCLOSURES



- Notes: Enclosure weight .72 lb / 327 g
- 1) Enclosure meets or exceeds IP40 and NEMA 1
  - 2) Circuit Board drawings see sheet 3.
  - 3) All components are RoHS Compliant.
  - 4) Material: Top and Bottom ABS.
  - 5) Customizable molding areas.  $\triangle 5$
  - 6) PCB Bosses accept #4 self tapping screw.  $\triangle 6$
  - 7) When used with PS19 the enclosure meets or exceeds IP 67 and NEMA 4X, 12 and 13 MIL-STD-810G 506.5 (.04 lb / 19g)

# SERPAC 193 CIRCUIT BOARD

ELECTRONIC ENCLOSURES

## Top & Bottom Option

