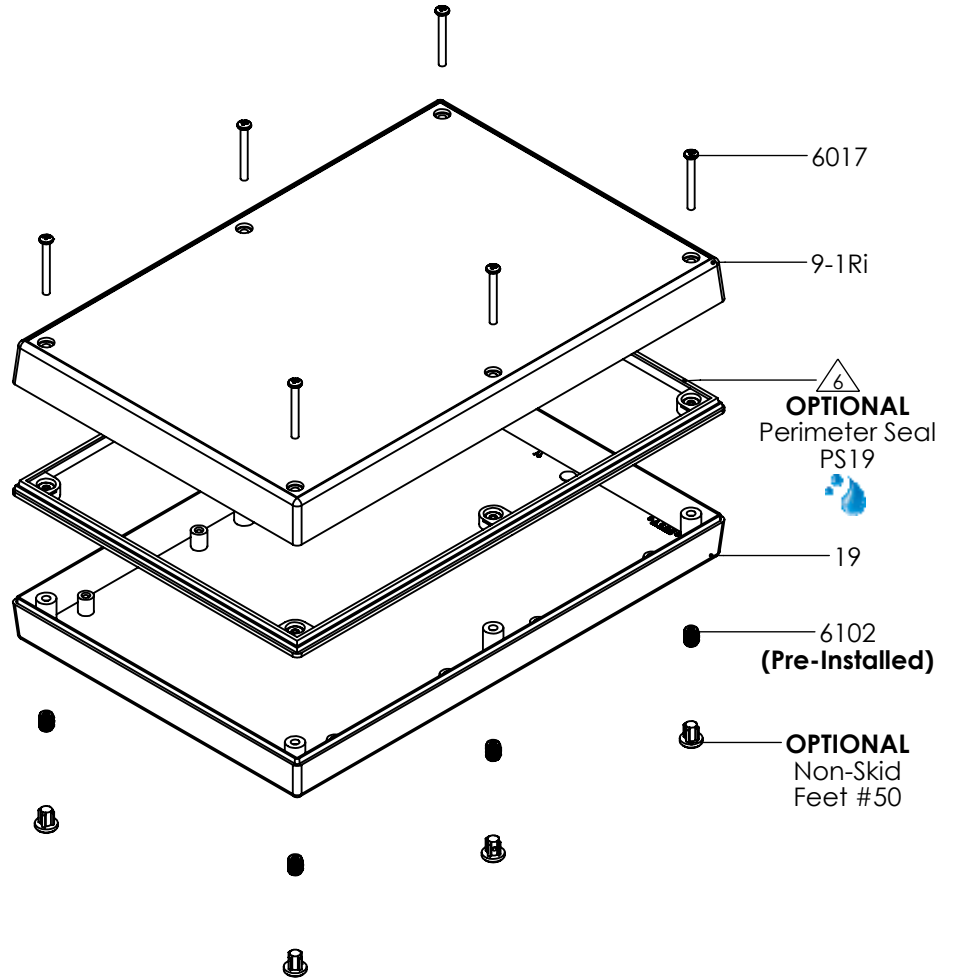
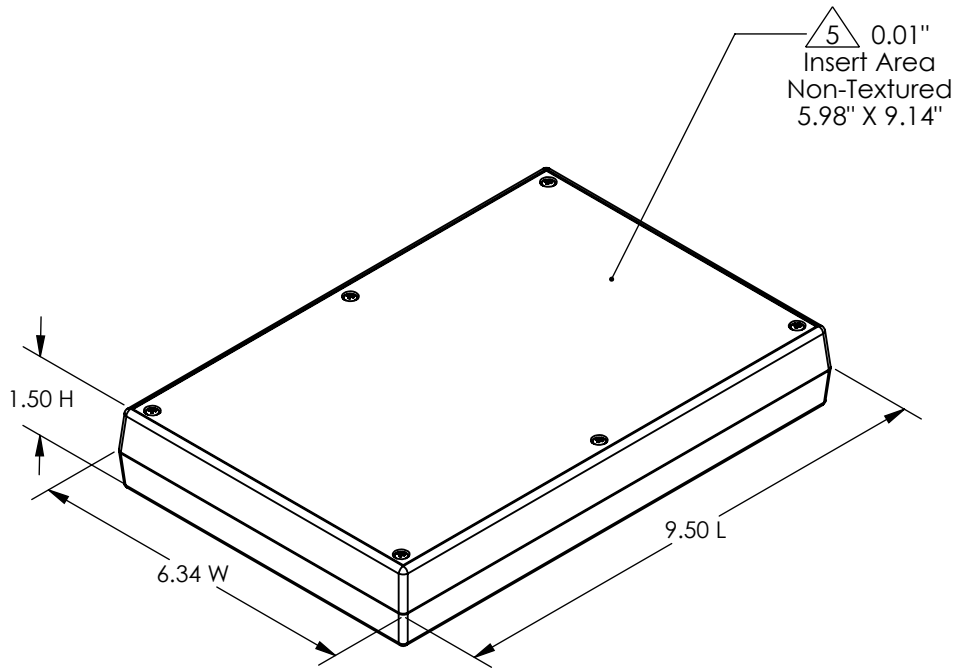


SERPAC 191Ri

ELECTRONIC ENCLOSURES



PART NO.	DESCRIPTION (Included)	ACCESSORIES (Optional)	
		PART NO.	DESCRIPTION
9-1Ri	Top	50	Non-skid Feet
19	Bottom	PS19	Waterproof Perimeter Seal
6017	4-40 x 1" Screw (6)	1030	Pocket Clip
6102	4-40 Threaded Inserts (6)	1040	2AA Battery Holder
		55	Key Holder
		60	Standoff Hole
		61	Standoff Post

- Notes: Enclosure weight .64 lb / 293 g
- 1) Enclosure meets or exceeds IP40 and NEMA 1
 - 2) Circuit Board drawings see sheet 3.
 - 3) All components are RoHS Compliant.
 - 4) Material: Top and Bottom ABS.
 - 5) Customizable molding areas.
 - 6) When used with PS19 the enclosure meets or exceeds IP 67 and NEMA 4X, 12 and 13 MIL-STD-810G 506.5 (.04 lb / 19g)

SERPAC 191Ri CIRCUIT BOARD

ELECTRONIC ENCLOSURES

Top & Bottom Option

