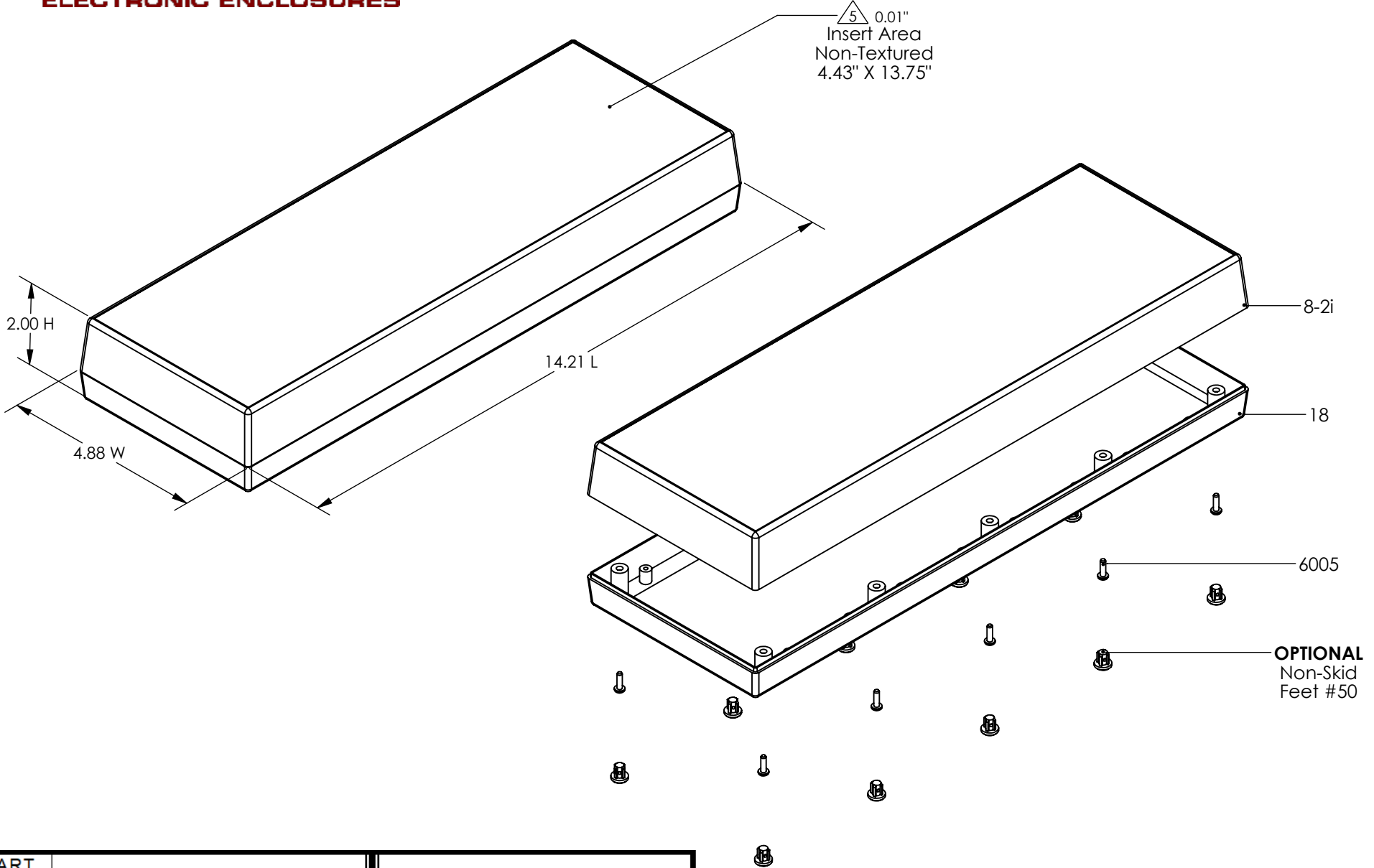


SERPAC 182i

ELECTRONIC ENCLOSURES

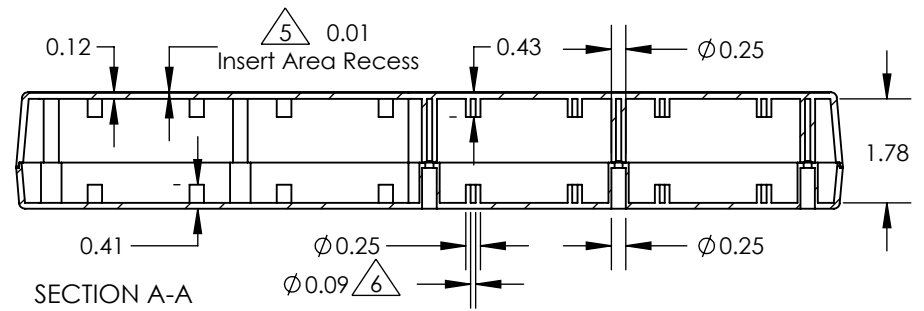
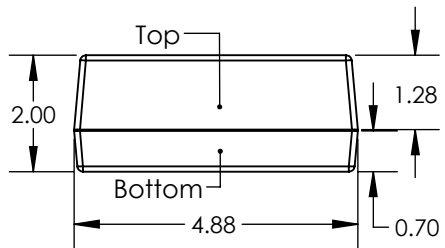
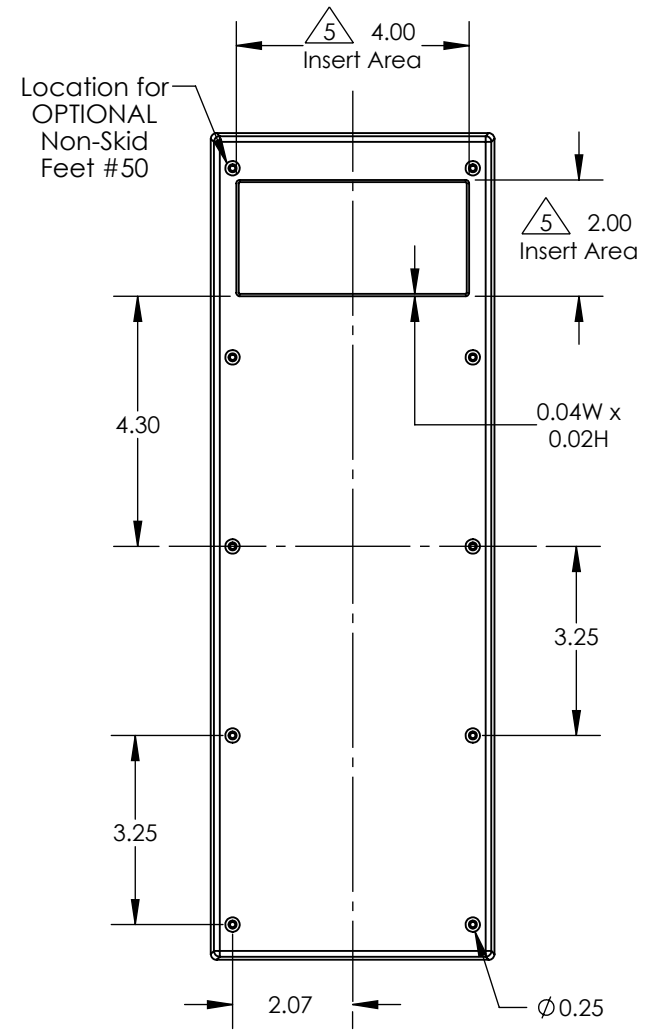
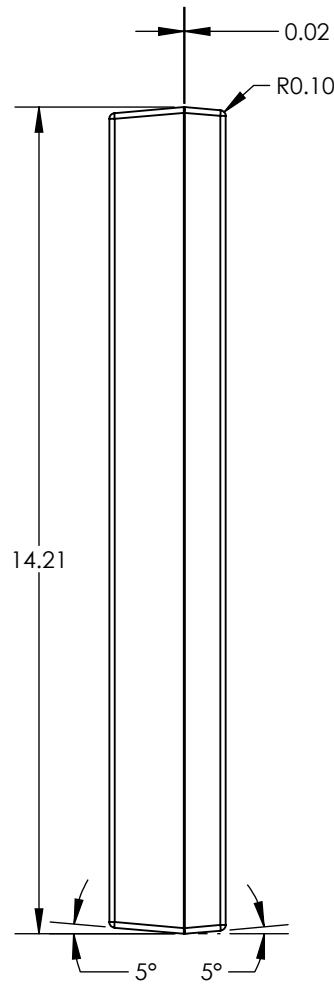
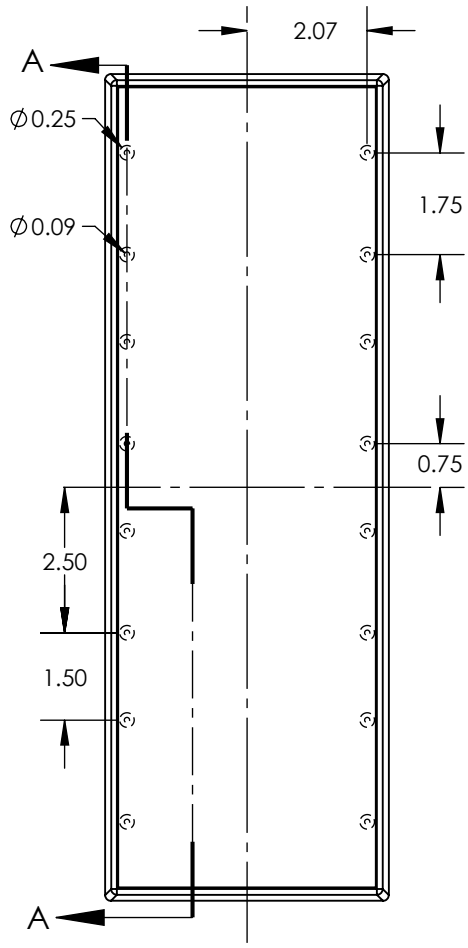


PART NO.	DESCRIPTION (Included)	ACCESSORIES (Optional)	
8-2i	Top	PART NO.	DESCRIPTION
18	Bottom	1040	2AA Battery Holder
6005	#4X3/8" Self-Tapping Screw (10)	60	Standoff Hole
		61	Standoff Post
		50	Non-Skid Feet

Notes: Enclosure weight .94 lb / 426 g
 1) Enclosure meets or exceeds IP40 and NEMA 1
 2) Circuit Board drawings see sheet 3.
 3) All components are RoHS Compliant.
 4) Material: Top and Bottom ABS.
 5) Customizable molding areas. $\triangle 5$

SERPAC 182i

ELECTRONIC ENCLOSURES



- Notes:
- Enclosure weight .94 lb / 426 g
 - 1) Enclosure meets or exceeds IP40 and NEMA 1
 - 2) Circuit Board drawings see sheet 3.
 - 3) All components are RoHS Compliant.
 - 4) Material: Top and Bottom ABS.
 - 5) Customizable molding areas. $\triangle 5$
 - 6) PCB Bosses accept #4 self tapping screw. $\triangle 6$

SERPAC 182i CIRCUIT BOARD

ELECTRONIC ENCLOSURES

Top & Bottom Option

