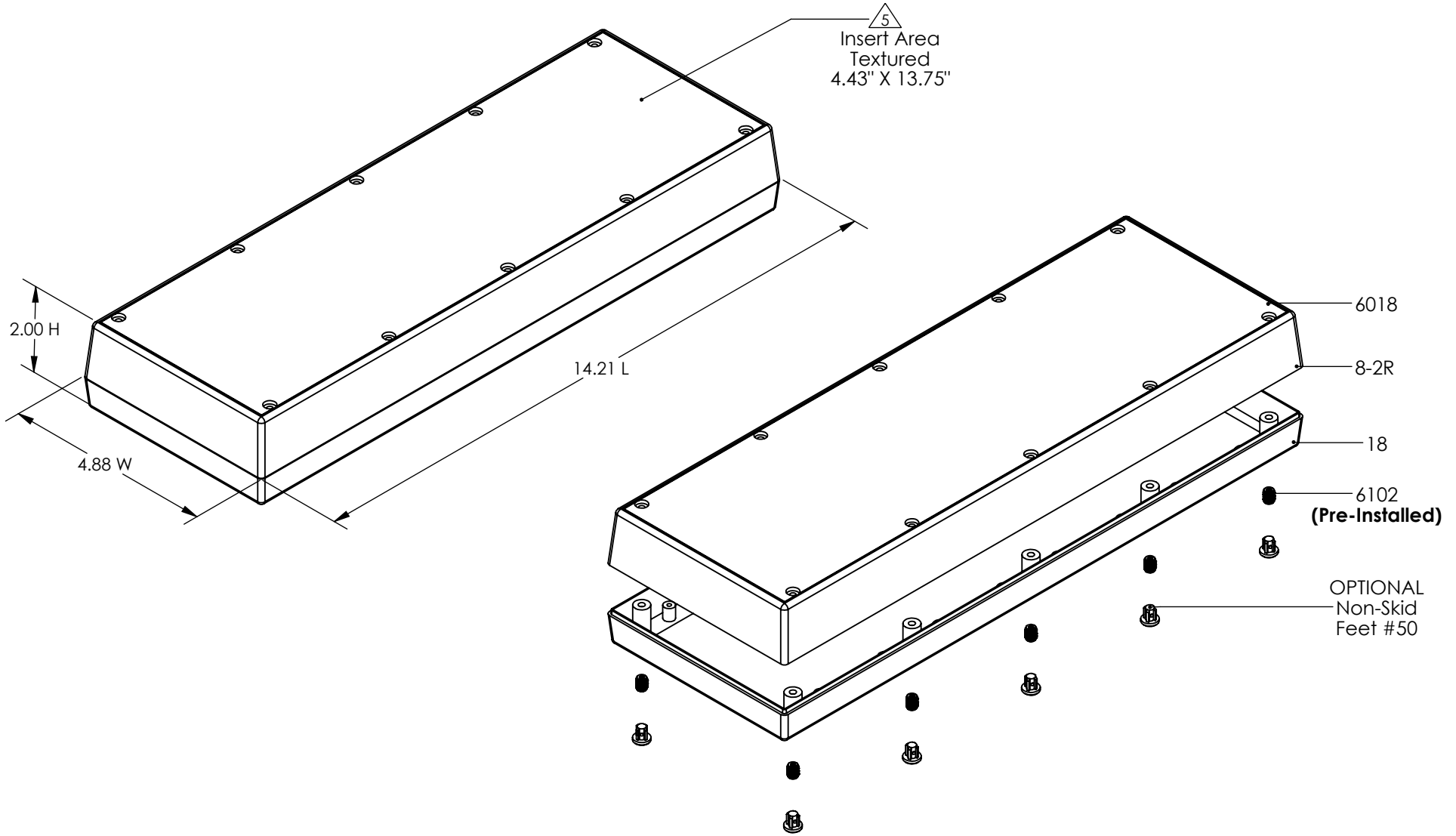
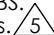


SERPAC 182R

ELECTRONIC ENCLOSURES

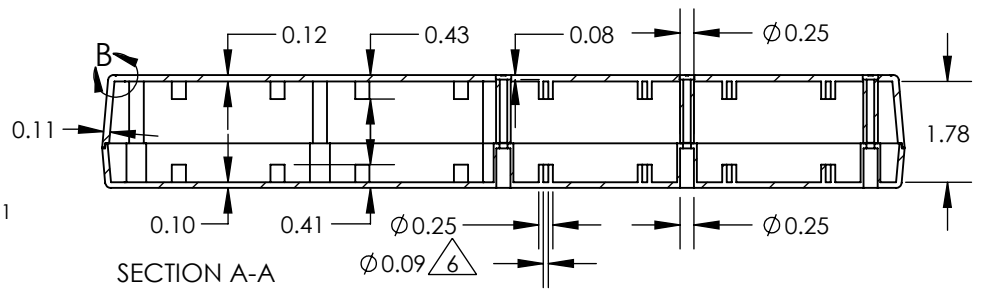
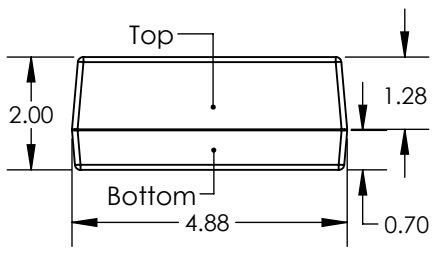
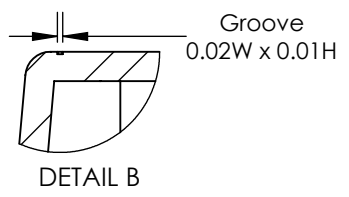
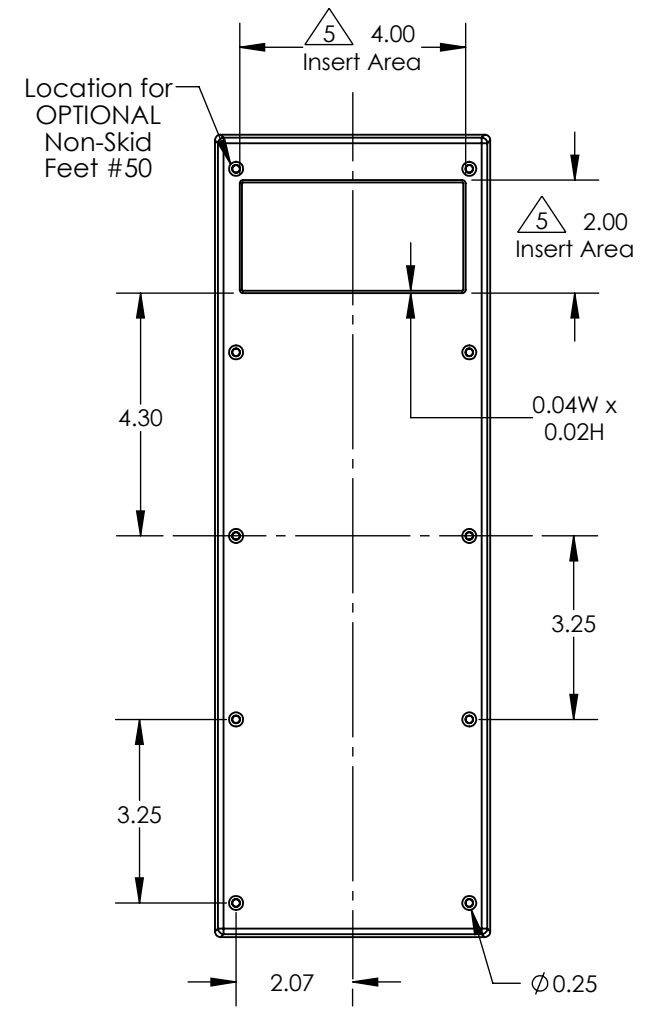
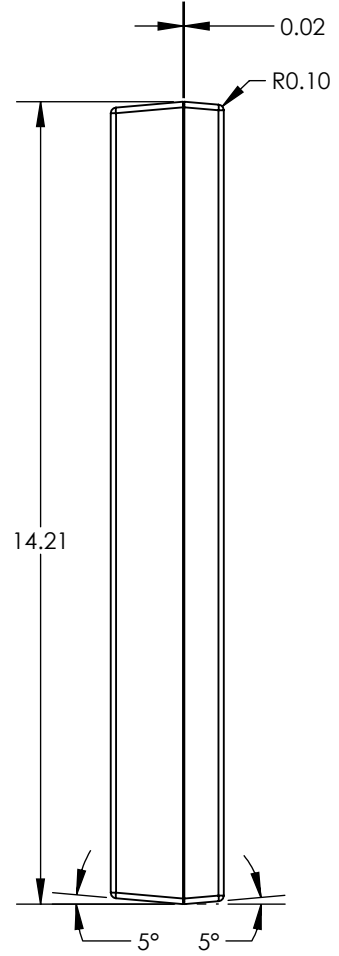
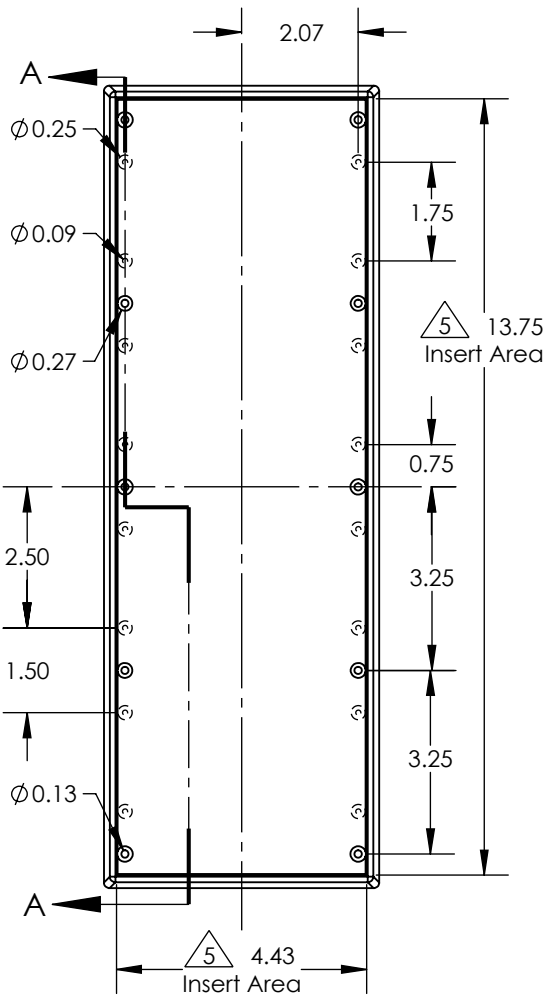


PART NO.	DESCRIPTION (Included)	ACCESSORIES (Optional)	
8-2R	Top	PART NO.	DESCRIPTION
18	Bottom	1040	2AA Battery Holder
6018	4-40 x 1 1/2" Screw (10)	60	Standoff Hole
6102	4-40 Threaded Inserts (10)	61	Standoff Post
		50	Non-Skid Feet

Notes: Enclosure weight .97 lb / 441 g
 1) Enclosure meets or exceeds IP40 and NEMA 1
 2) Circuit Board drawings see sheet 3.
 3) All components are RoHS Compliant.
 4) Material: Top and Bottom ABS.
 5) Customizable molding areas. 

SERPAC 182R

ELECTRONIC ENCLOSURES



- Notes:
- Enclosure weight .97 lb / 441 g
 - 1) Enclosure meets or exceeds IP40 and NEMA 1
 - 2) Circuit Board drawings see sheet 3.
 - 3) All components are RoHS Compliant.
 - 4) Material: Top and Bottom ABS.
 - 5) Customizable molding areas. $\triangle 5$
 - 6) PCB Bosses accept #4 self tapping screw. $\triangle 6$

