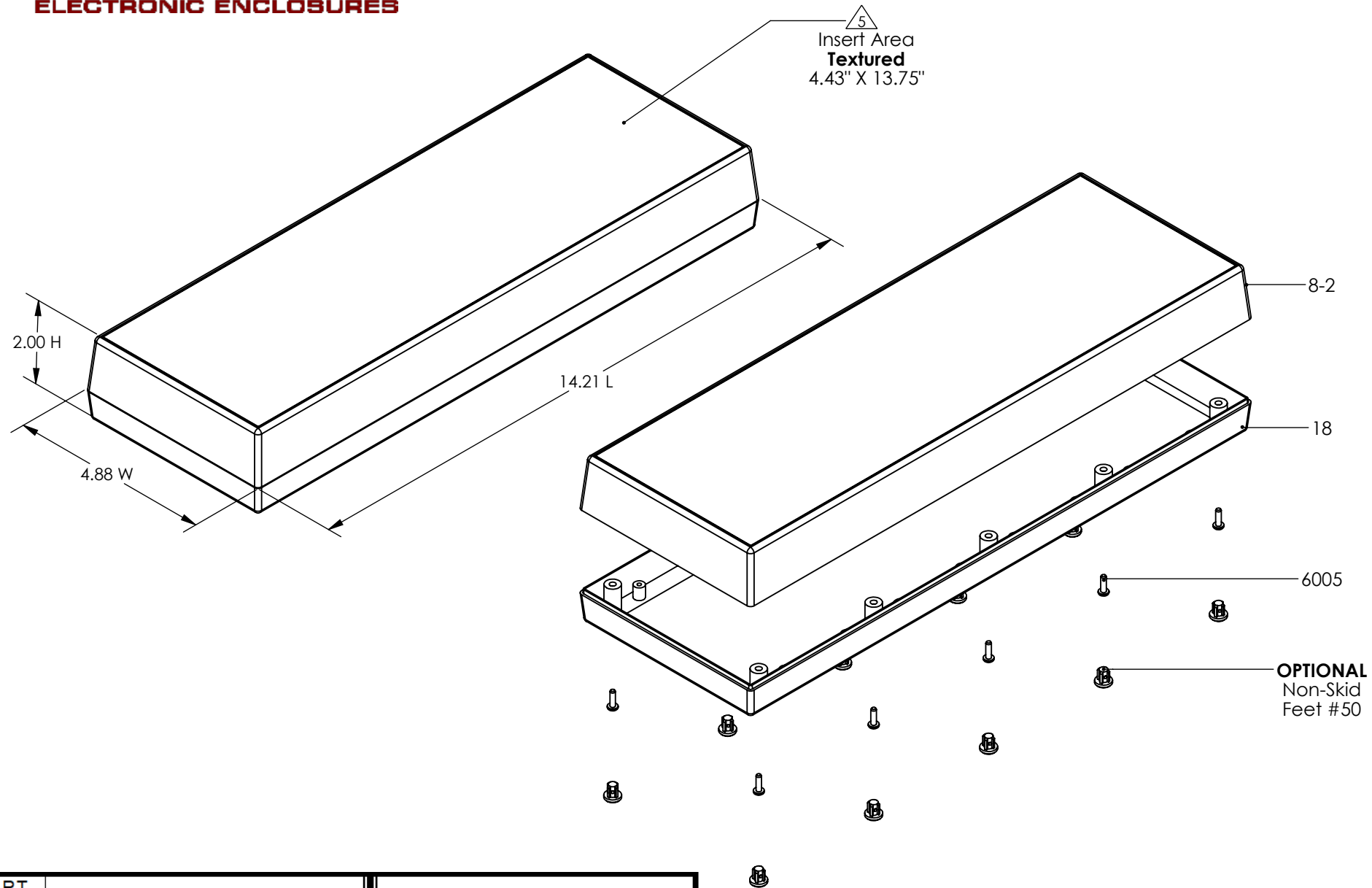


SERPAC 182

ELECTRONIC ENCLOSURES



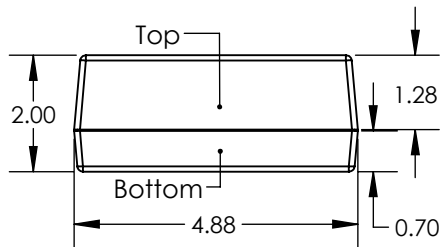
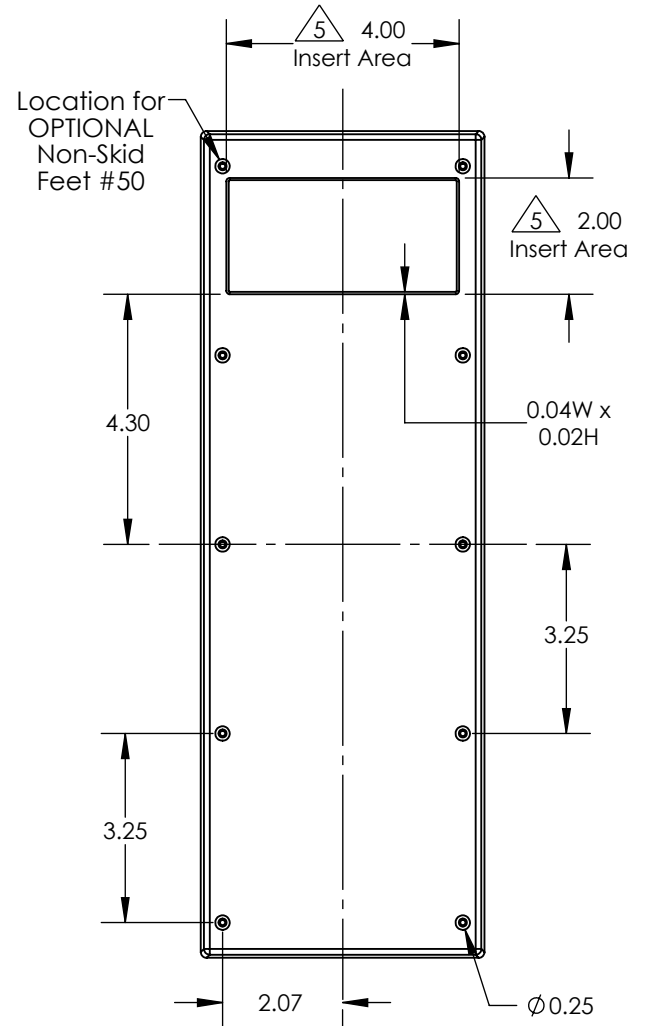
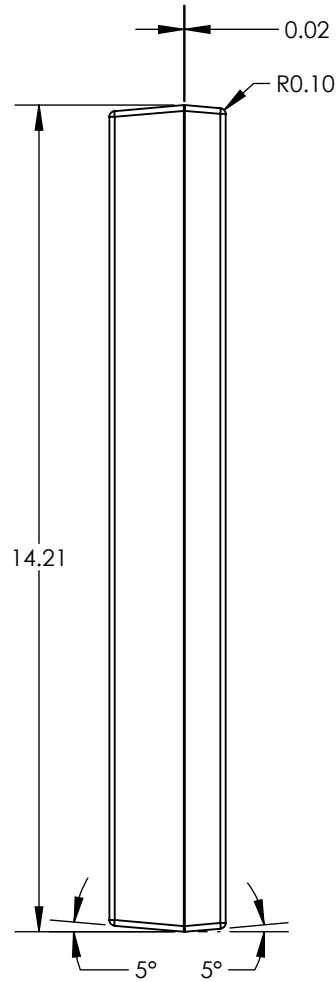
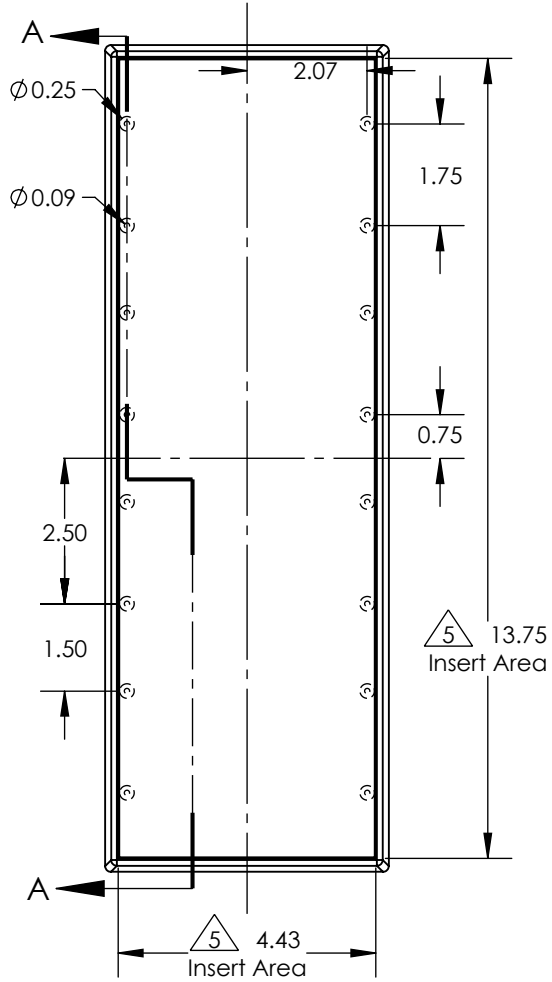
PART NO.	DESCRIPTION (Included)
8-2	Top
18	Bottom
6005	#4X3/8" Self-Tapping Screw (10)

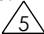

ACCESSORIES (Optional)	
PART NO.	DESCRIPTION
1040	2AA Battery Holder
60	Standoff Hole
61	Standoff Post
50	Non-Skid Feet

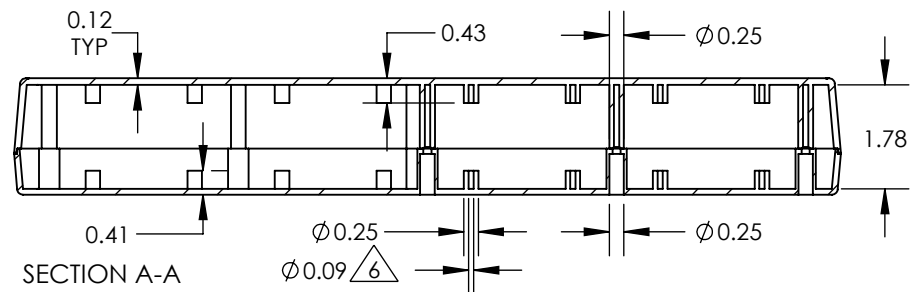
Notes: Enclosure weight .94 lb / 426 g
 1) Enclosure meets or exceeds IP40 and NEMA 1
 2) Circuit Board drawings see sheet 3.
 3) All components are RoHS Compliant.
 4) Material: Top and Bottom ABS.
 5) Customizable molding areas.

SERPAC 182

ELECTRONIC ENCLOSURES



- Notes:
- 1) Enclosure meets or exceeds IP40 and NEMA 1
 - 2) Circuit Board drawings see sheet 3.
 - 3) All components are RoHS Compliant.
 - 4) Material: Top and Bottom ABS.
 - 5) Customizable molding areas. 
 - 6) PCB Bosses accept #4 self tapping screw. 



SERPAC 182 CIRCUIT BOARD

ELECTRONIC ENCLOSURES

Top & Bottom Option

