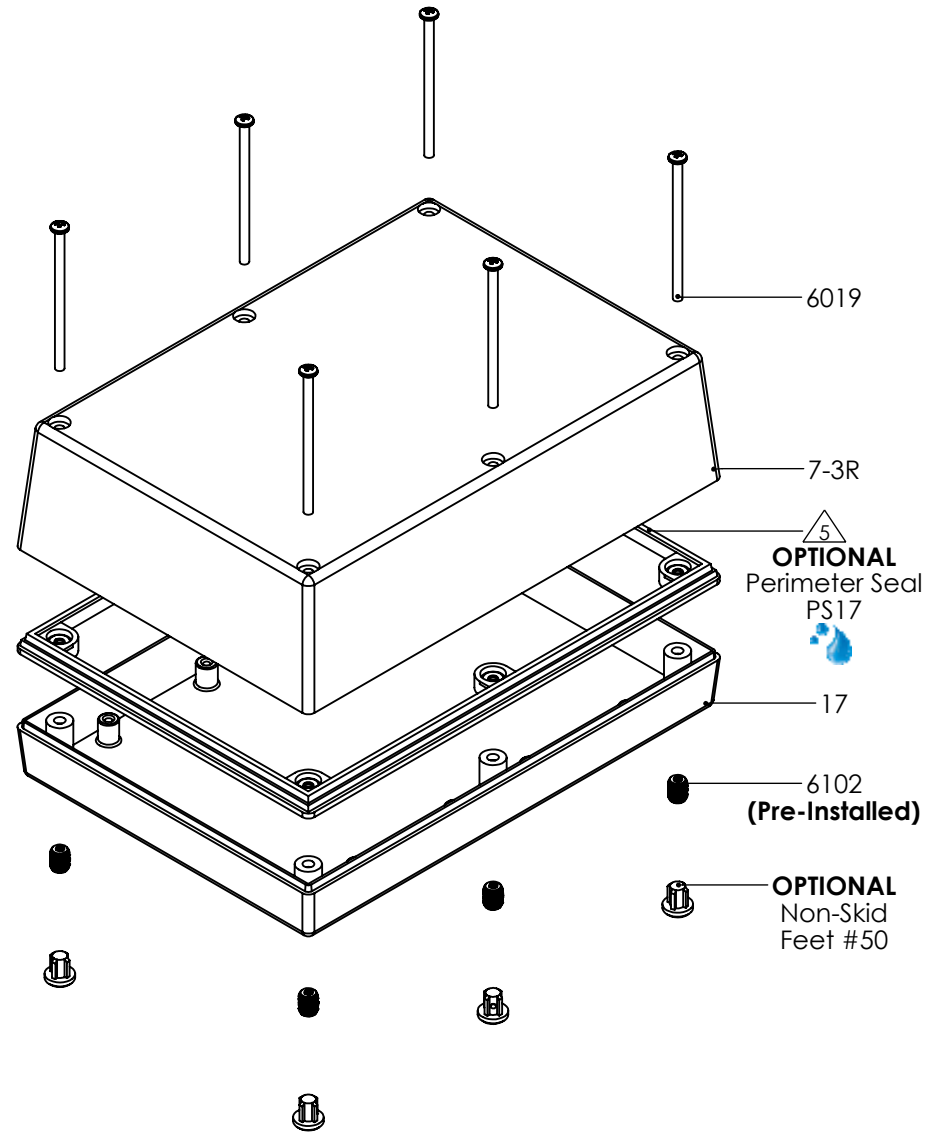
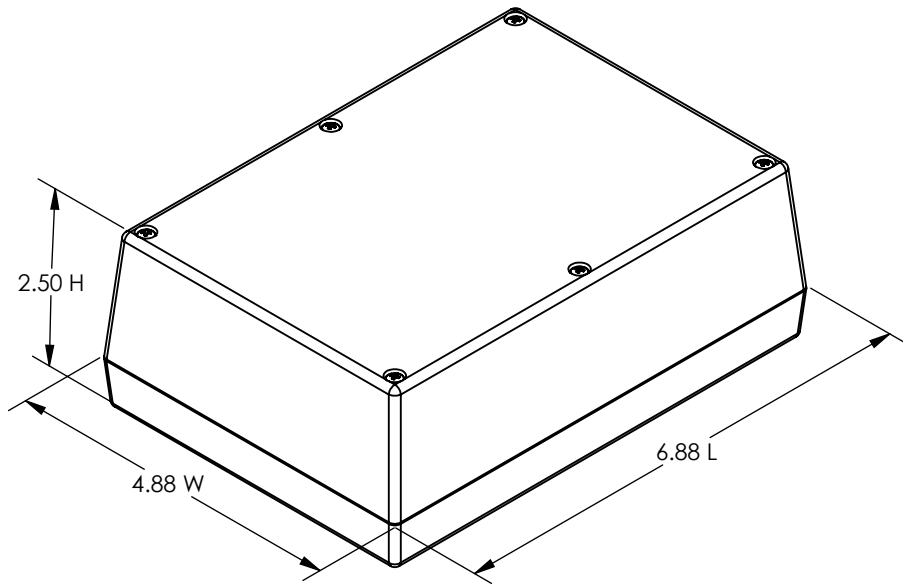


SERPAC 173R

ELECTRONIC ENCLOSURES

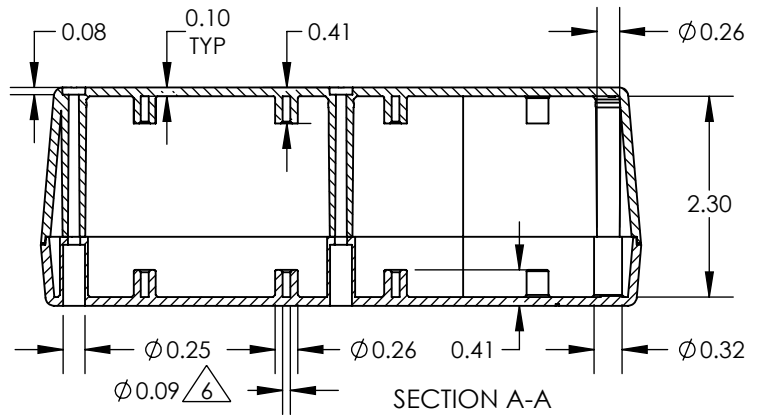
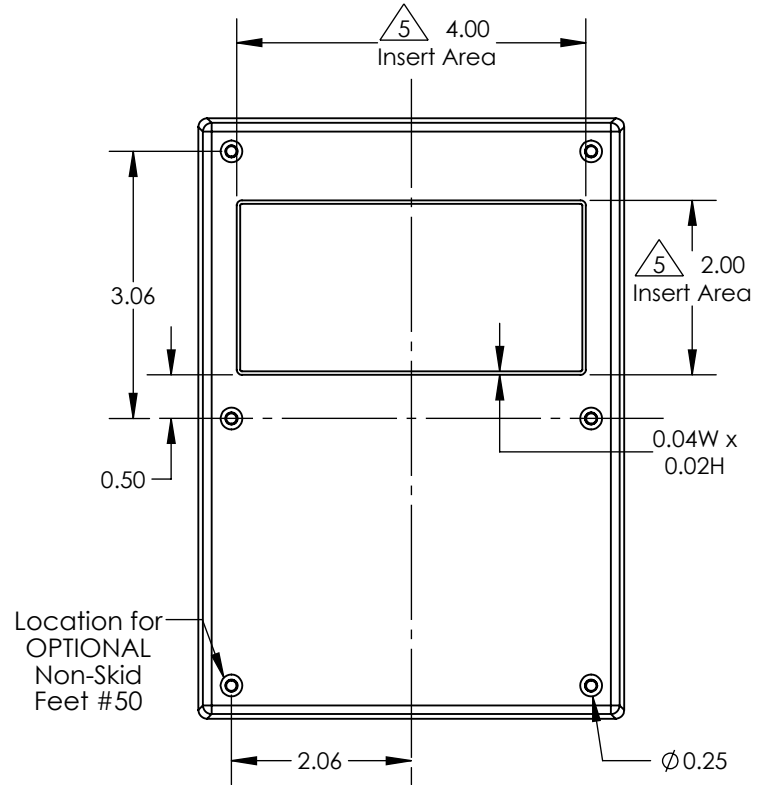
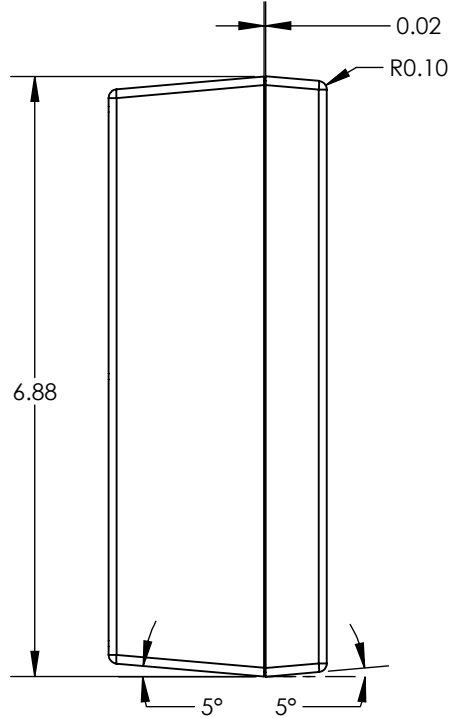
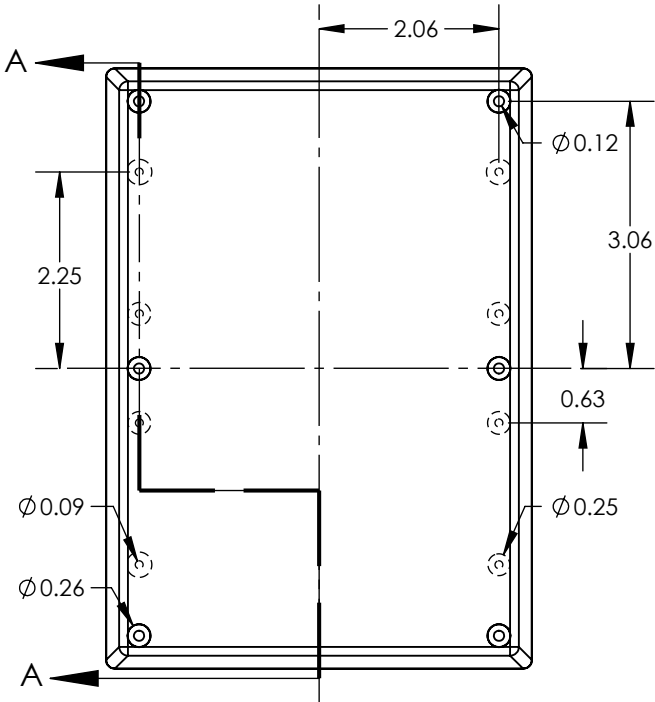


PART NO.	DESCRIPTION (Included)	ACCESSORIES (Optional)	
7-3R	Top	PART NO.	DESCRIPTION
17	Bottom	50	Non-skid Feet
6019	4-40 x 2" Screw (6)	PS17	Waterproof Perimeter Seal
6102	4-40 Threaded Inserts (6)	1030	Pocket Clip
		1040	2AA Battery Holder
		55	Key Holder
		60	Standoff Hole
		61	Standoff Post

Notes: Enclosure weight .54 lb / 244 g
 1) Enclosure meets or exceeds IP40 and NEMA 1
 2) Circuit Board drawings see sheet 3.
 3) All components are RoHS Compliant.
 4) Material: Top and Bottom ABS.
 5) When used with PS17 the enclosure meets or exceeds IP 67 and NEMA 4X, 12 and 13 MIL-STD-810G 506.5 (.03 lb / 14g)

SERPAC 173R

ELECTRONIC ENCLOSURES



- Notes:
- Enclosure weight .54 lb / 244 g
 - 1) Enclosure meets or exceeds IP40 and NEMA 1
 - 2) Circuit Board drawings see sheet 3.
 - 3) All components are RoHS Compliant.
 - 4) Material: Top and Bottom ABS.
 - 5) Customizable molding areas. $\triangle 5$
 - 6) PCB Bosses accept #4 self tapping screw. $\triangle 6$
 - 7) When used with PS17 the enclosure meets or exceeds IP 67 and NEMA 4X, 12 and 13 MIL-STD-810G 506.5 (.03 lb / 14g)

SERPAC 173R CIRCUIT BOARD

ELECTRONIC ENCLOSURES

Top & Bottom Option

