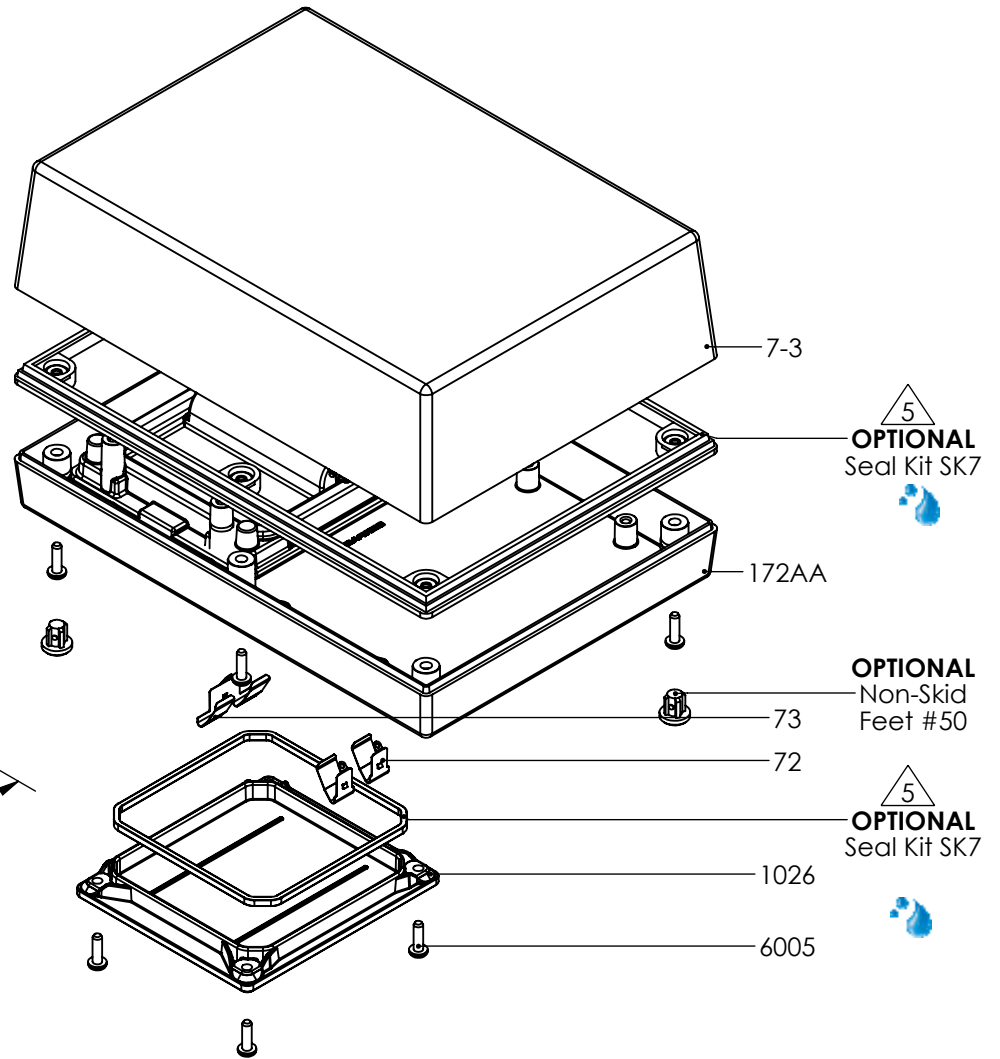
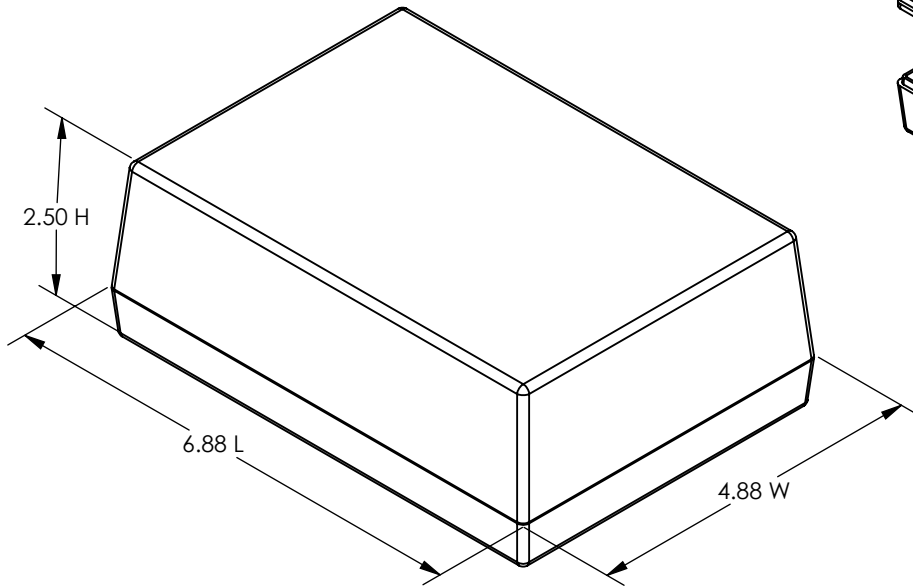


# SERPAC 1732AA

ELECTRONIC ENCLOSURES

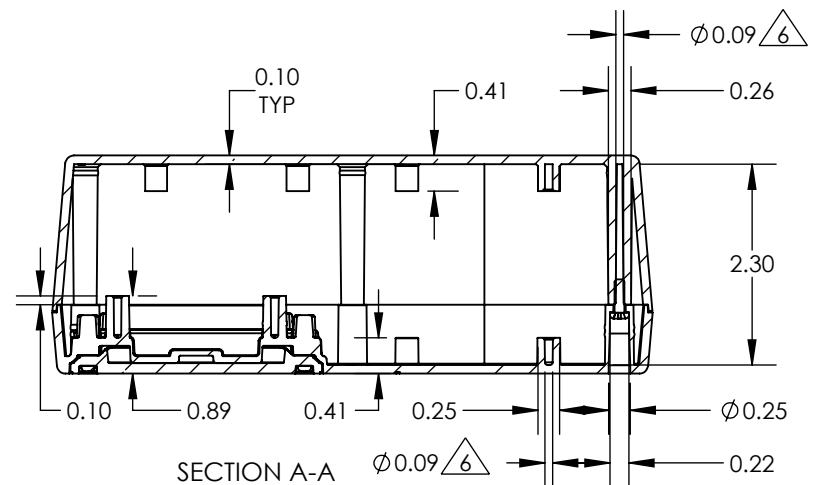
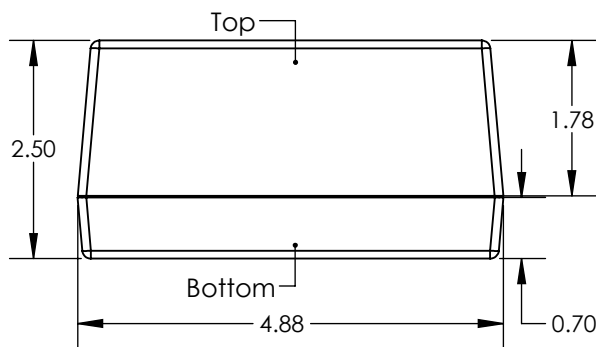
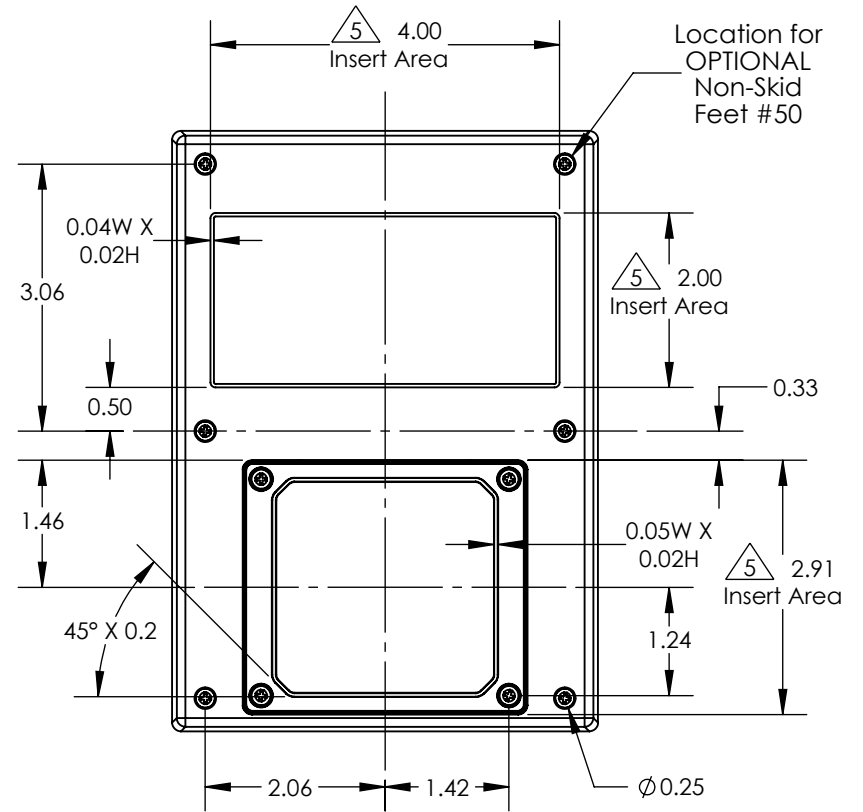
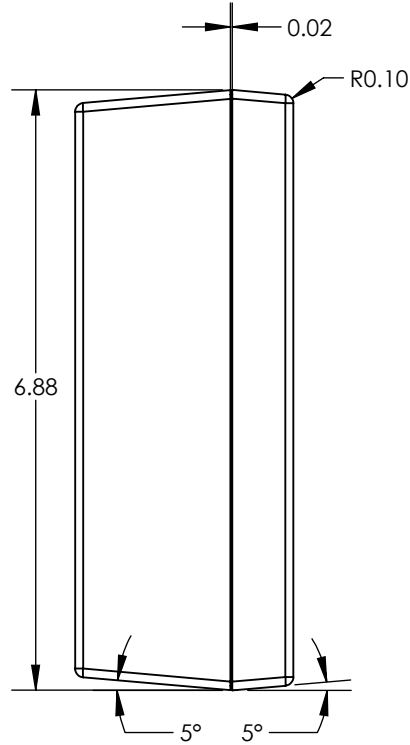
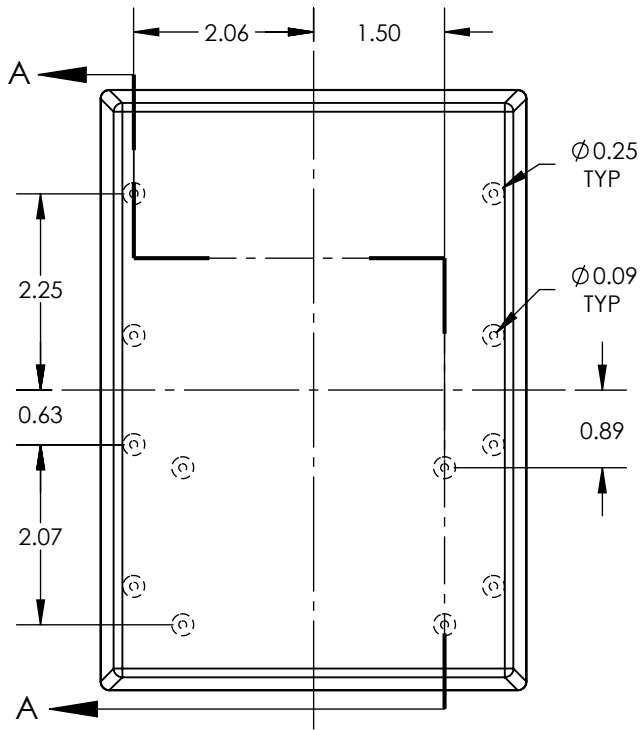


| PART NO. | DESCRIPTION (Included)         | ACCESSORIES (Optional) |                     |
|----------|--------------------------------|------------------------|---------------------|
| 7-3      | Top                            | PART NO.               | DESCRIPTION         |
| 172AA    | 2AA Bottom                     | 50                     | Non-Skid Feet       |
| 6005     | #4X3/8" Self-Tapping Screw (8) | 60                     | Standoff Hole       |
| 1026     | Access Door                    | 61                     | Standoff Post       |
| 73       | Double Battery Contact         | SK7                    | Waterproof Seal Kit |
| 72       | Single Battery Contact (2)     |                        |                     |

Notes: Enclosure weight .54 lb / 245 g  
 1) Enclosure meets or exceeds IP40 and NEMA 1  
 2) Circuit Board drawings see sheet 3.  
 3) All components are RoHS Compliant.  
 4) Material: Top and Bottom ABS.  
 5) When used with SK7 the enclosure meets or exceeds IP 67 and NEMA 4X, 12 and 13 MIL-STD-810G 506.5 (.03 lb / 14g)

# SERPAC 1732AA

ELECTRONIC ENCLOSURES

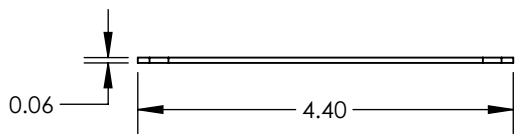
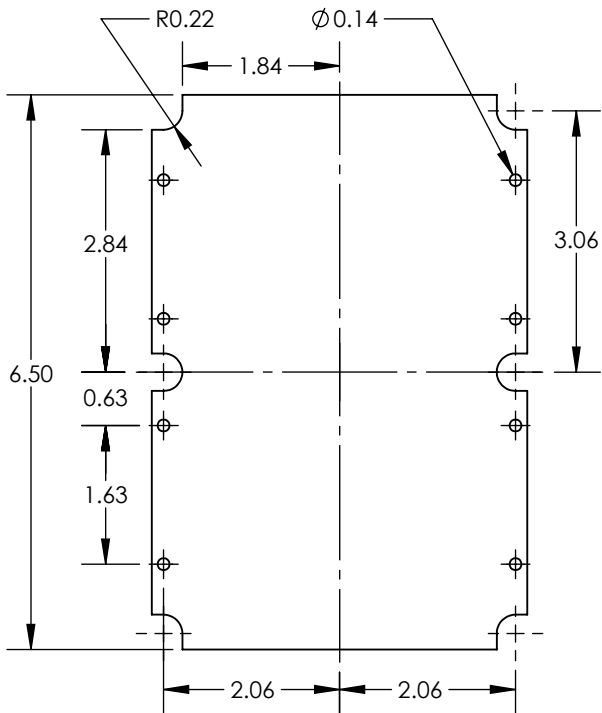


- Notes:
- 1) Enclosure meets or exceeds IP40 and NEMA 1
  - 2) Circuit Board drawings see sheet 3.
  - 3) All components are RoHS Compliant.
  - 4) Material: Top and Bottom ABS.
  - 5) Customizable molding areas.  $\triangle 5$
  - 6) PCB Bosses accept #4 self tapping screw.  $\triangle 6$
  - 7) When used with SK7 the enclosure meets or exceeds IP 67 and NEMA 4X, 12 and 13 MIL-STD-810G 506.5 (.03 lb / 14g)

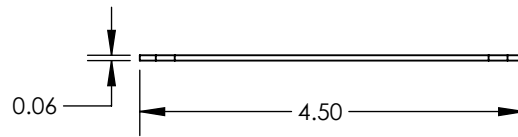
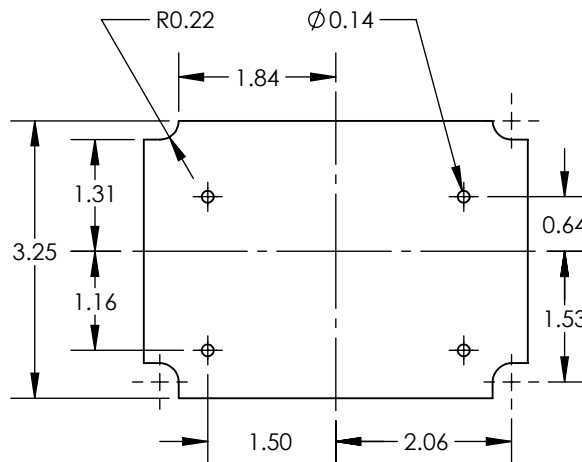
# SERPAC 1732AA CIRCUIT BOARD

ELECTRONIC ENCLOSURES

## Top Option



## Bottom Option A



## Bottom Option B

