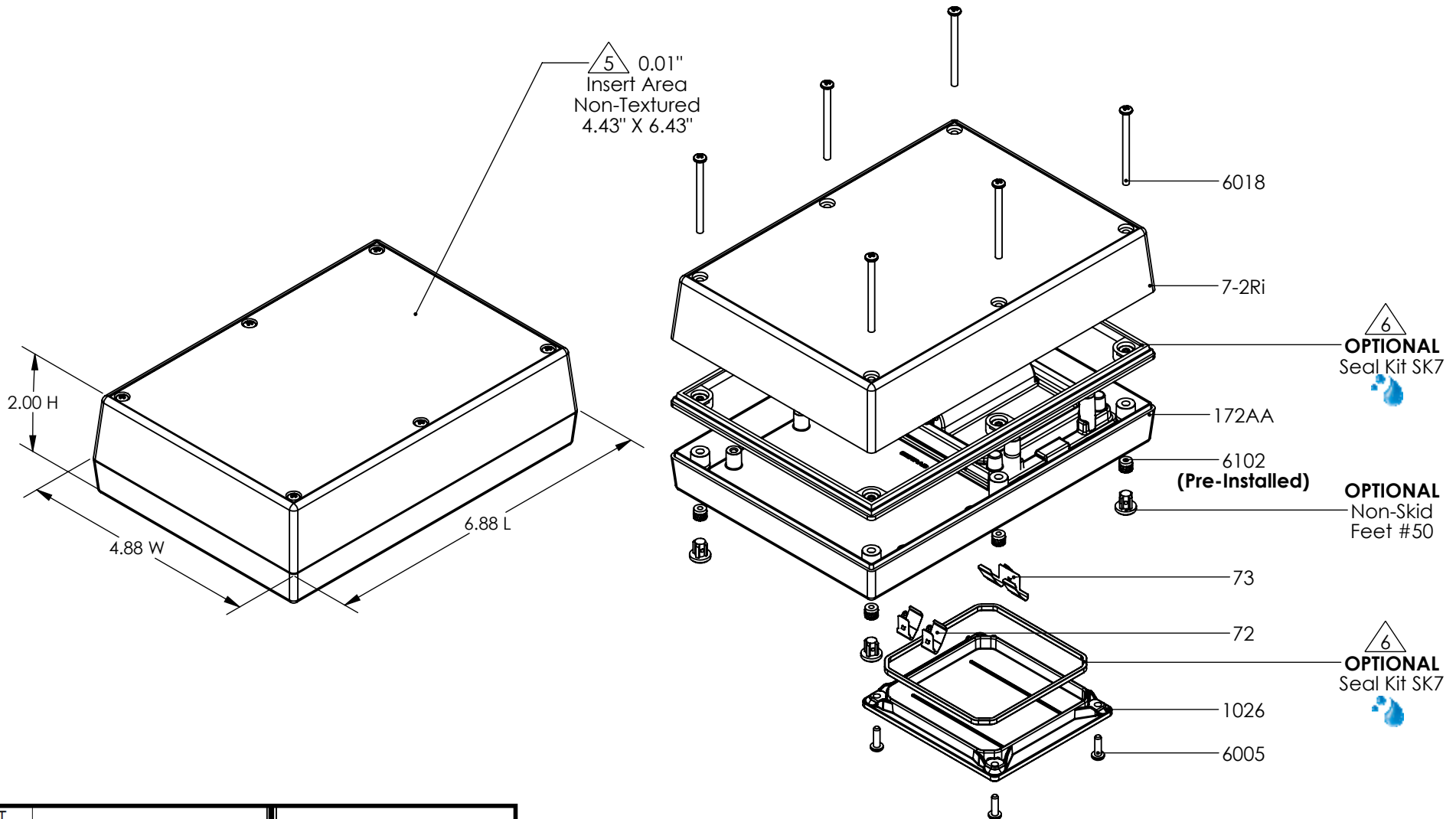


SERPAC 172Ri2AA

ELECTRONIC ENCLOSURES



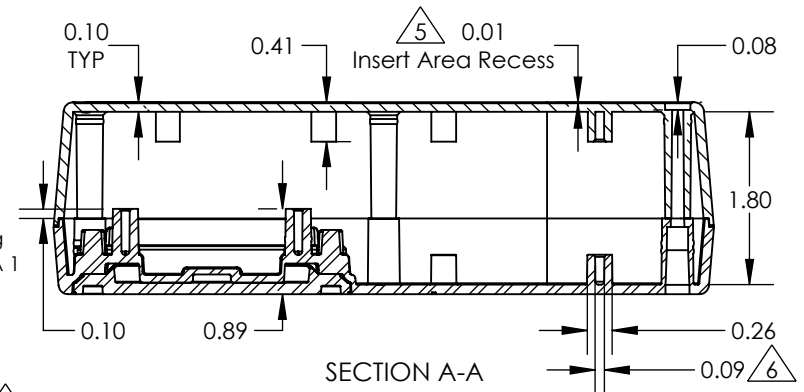
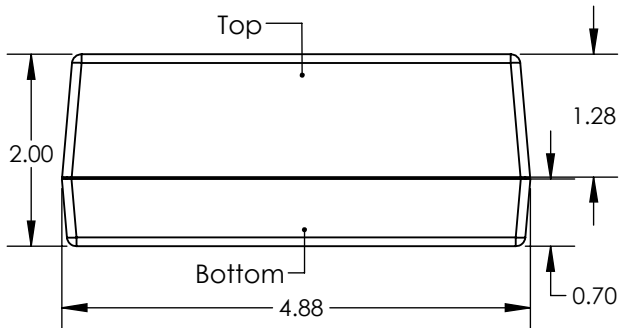
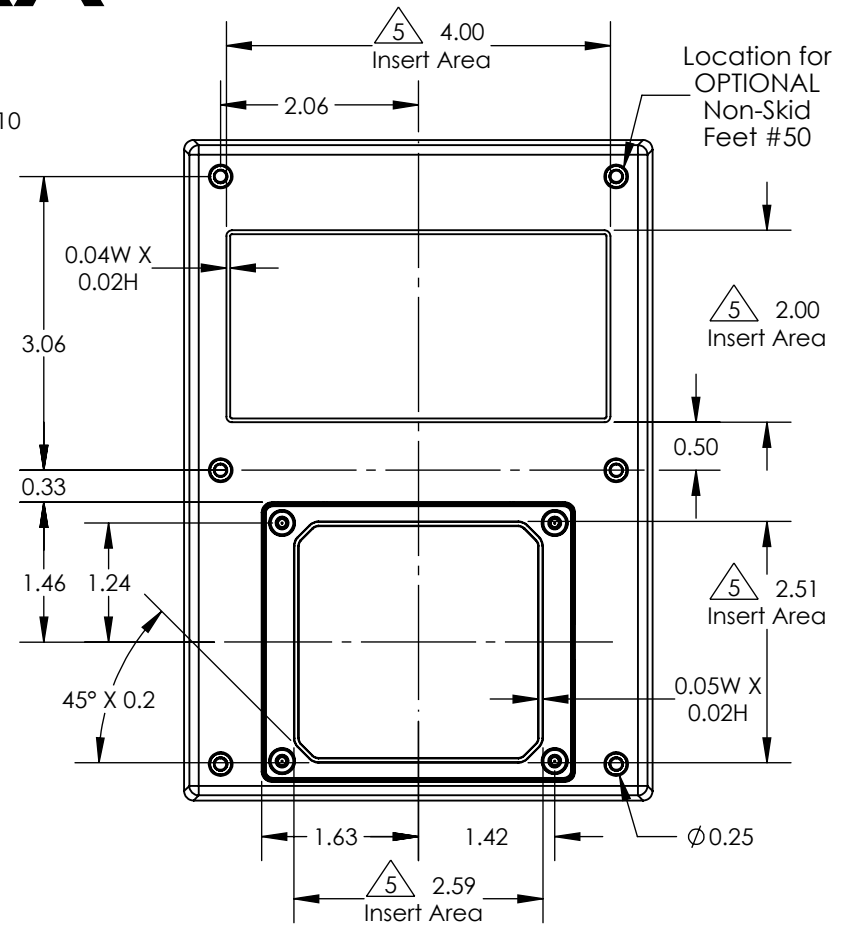
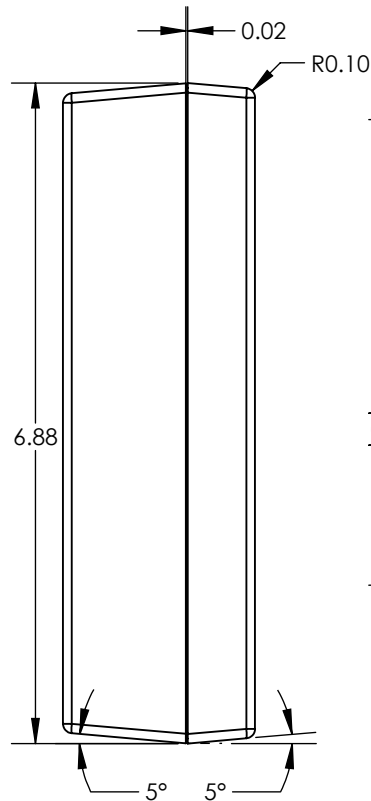
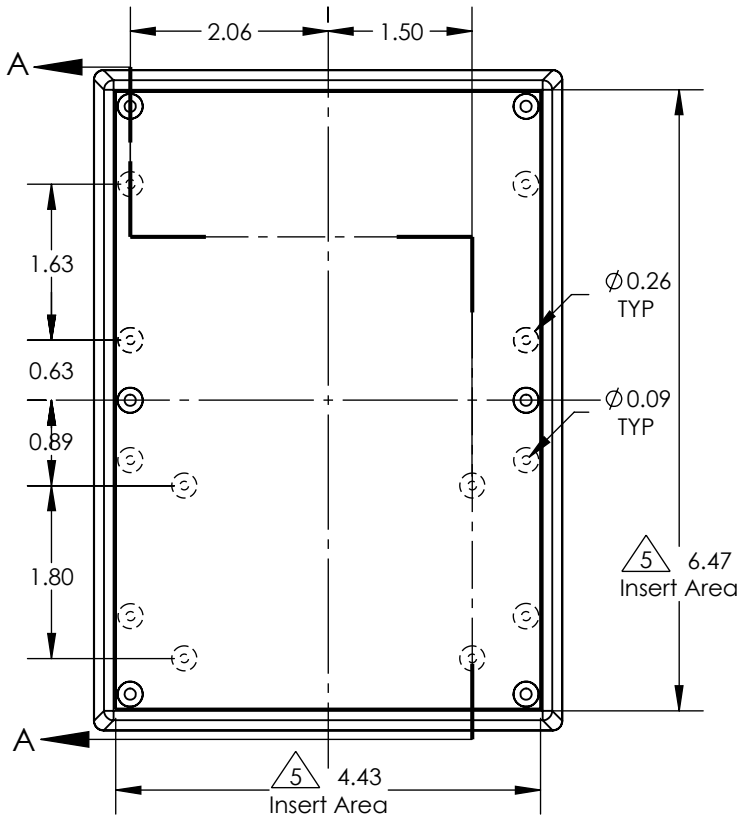
PART NO.	DESCRIPTION (Included)	PART NO.	DESCRIPTION
7-2Ri	Top	1030	Pocket Clip
172AA	2AA Bottom	50	Non-Skid Feet
6005	#4X3/8" Self-Tapping Screw (4)	55	Key Holder
1026	Access Door	60	Standoff Hole
73	Double Battery Contact	61	Standoff Post
72	Single Battery Contact (2)	SK7	Waterproof Seal Kit
6018	4-40 x 1 1/2" Screw (4)		
6102	4-40 Threaded Inserts (4)		

Notes: Enclosure weight .51 lb / 232 g

- 1) Enclosure meets or exceeds IP40 and NEMA 1
- 2) Circuit Board drawings see sheet 3.
- 3) All components are RoHS Compliant.
- 4) Material: Top and Bottom ABS.
- 5) Customizable molding area. 5
- 6) When used with SK7 the enclosure meets or exceeds IP 67 and NEMA 4X, 12 and 13 MIL-STD-810G 506.5 (.03 lb / 14g) 6

SERPAC 172Ri2AA

ELECTRONIC ENCLOSURES

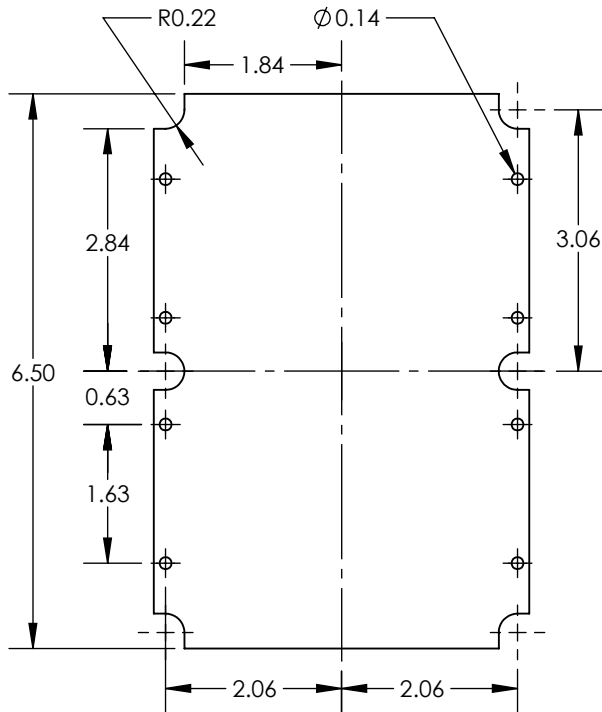


- Notes:
- Enclosure weight .51 lb / 232 g
 - 1) Enclosure meets or exceeds IP40 and NEMA 1
 - 2) Circuit Board drawings see sheet 3.
 - 3) All components are RoHS Compliant.
 - 4) Material: Top and Bottom ABS.
 - 5) Customizable molding areas. $\triangle 5$
 - 6) PCB Bosses accept #4 self tapping screw. $\triangle 6$
 - 7) When used with SK7 the enclosure meets or exceeds IP 67 and NEMA 4X, 12 and 13 MIL-STD-810G 506.5 (.03 lb / 14g)

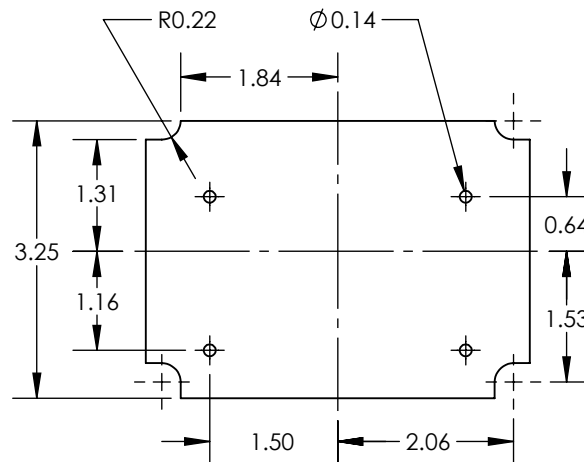
SERPAC 172Ri2AA CIRCUIT BOARD

ELECTRONIC ENCLOSURES

Top Option



Bottom Option A



Bottom Option B

