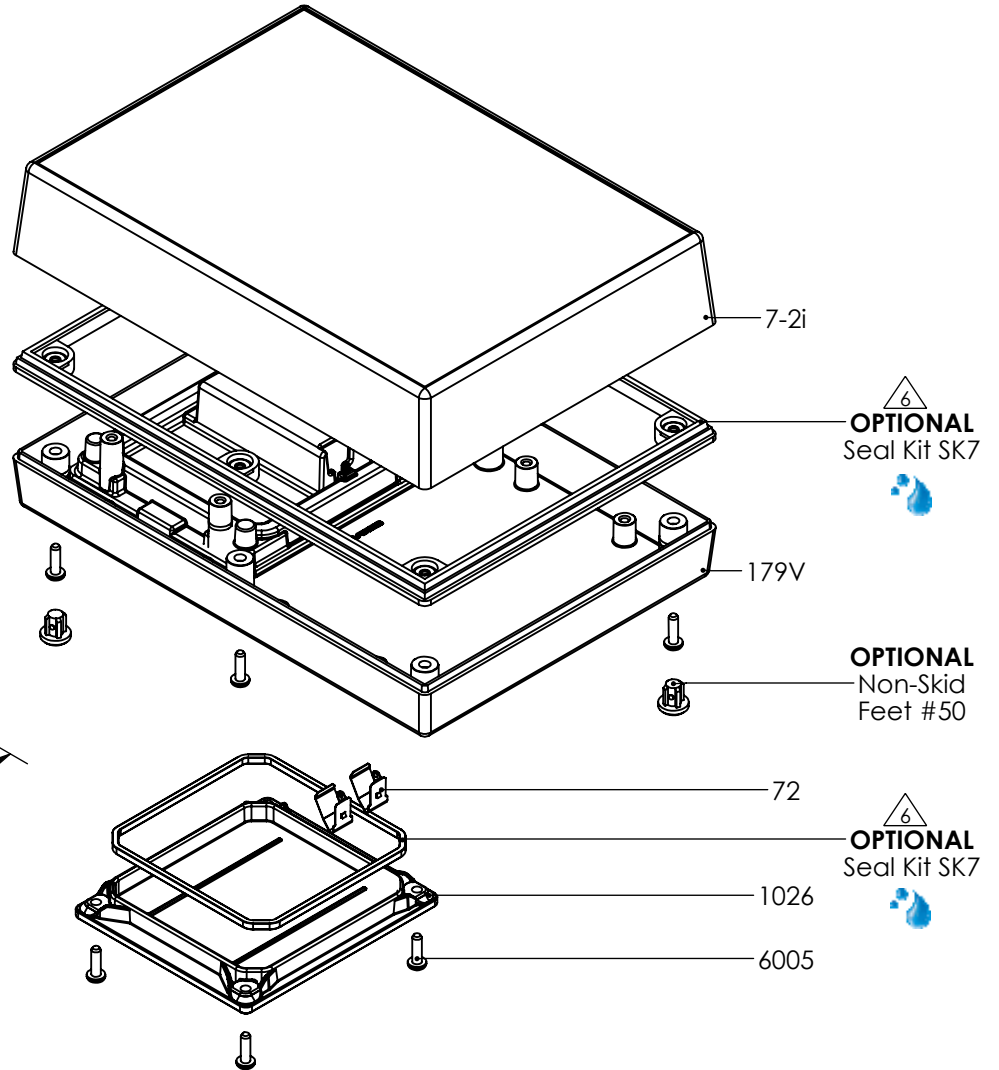
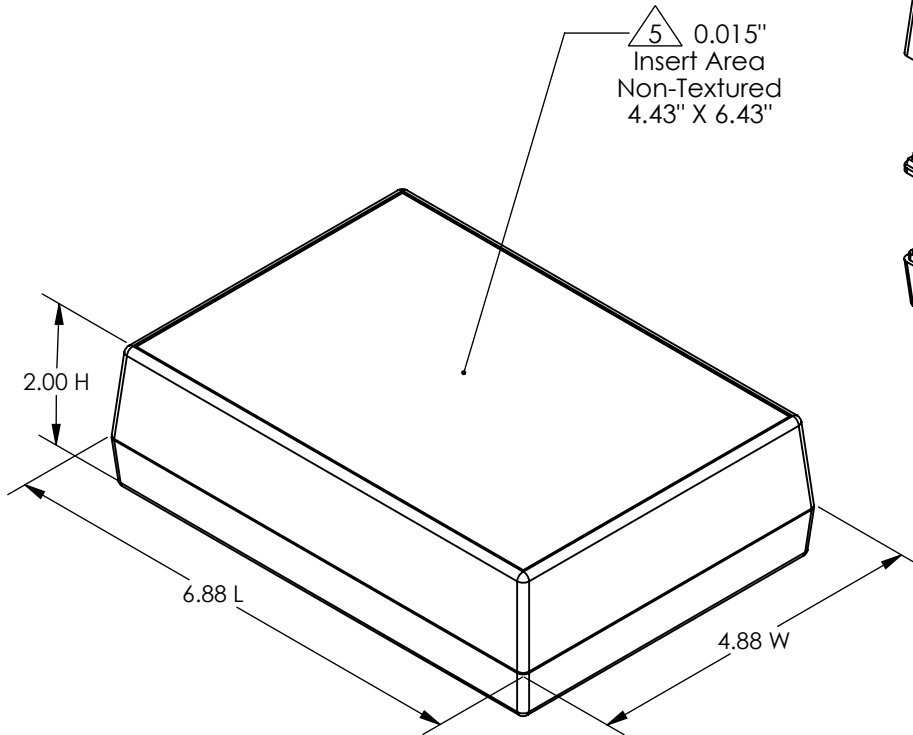


SERPAC 172i9V

ELECTRONIC ENCLOSURES



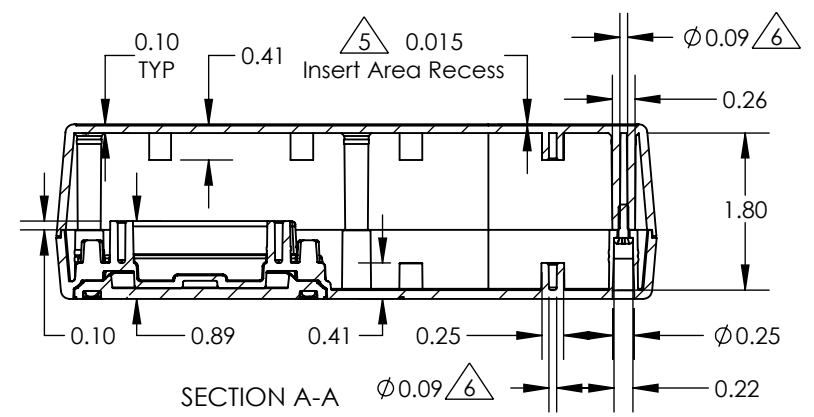
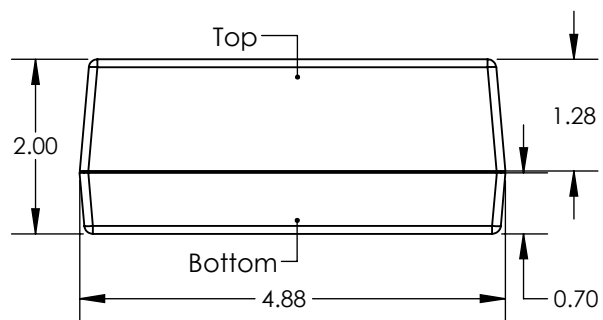
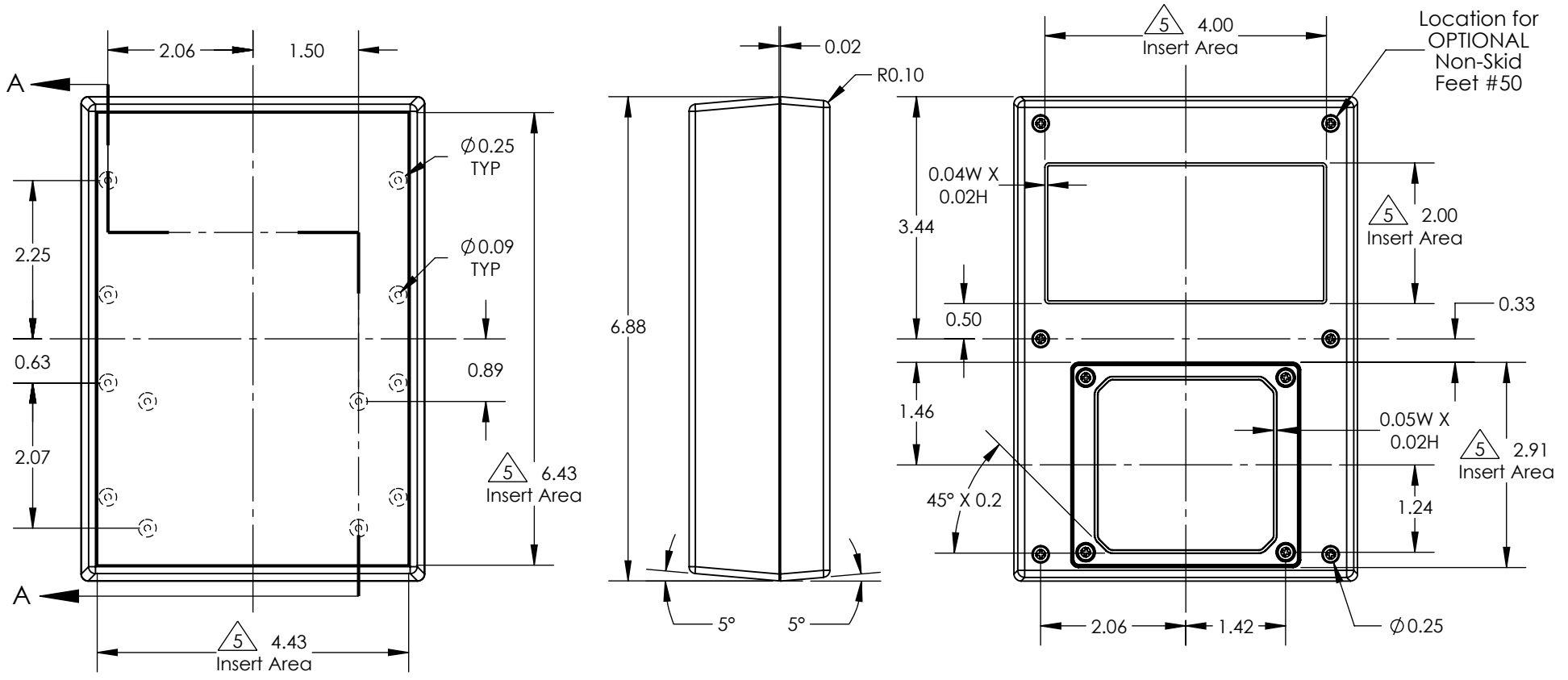
PART NO.	DESCRIPTION (Included)	ACCESSORIES (Optional)	
7-2i	Top	PART NO.	DESCRIPTION
179V	9V Bottom	50	Non-Skid Feet
6005	#4X3/8" Self-Tapping Screw (8)	60	Standoff Hole
1026	Access Door	61	Standoff Post
72	Single Battery Contact (2)	SK7	Waterproof Seal Kit

Notes: Enclosure weight .49 lb / 225 g

- 1) Enclosure meets or exceeds IP40 and NEMA 1
- 2) Circuit Board drawings see sheet 3.
- 3) All components are RoHS Compliant.
- 4) Material: Top and Bottom ABS.
- 5) Customizable Molding Areas. 5
- 6) When used with SK7 the enclosure meets or exceeds IP 67 and NEMA 4X, 12 and 13 MIL-STD-810G 506.5 (.03 lb / 14g) 6

SERPAC 172i9V

ELECTRONIC ENCLOSURES

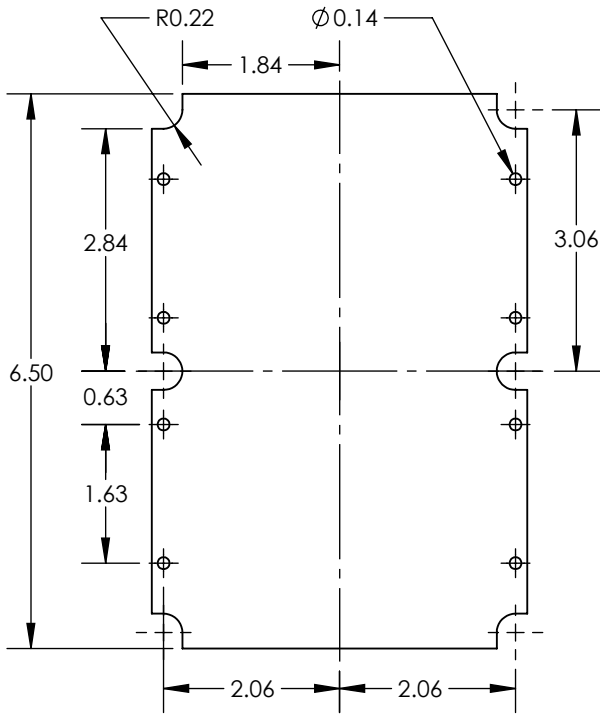


- Notes:
- 1) Enclosure weight .49 lb / 225 g
 - 2) Enclosure meets or exceeds IP40 and NEMA 1
 - 3) Circuit Board drawings see sheet 3.
 - 4) All components are RoHS Compliant.
 - 5) Material: Top and Bottom ABS.
 - 6) Customizable molding areas. $\triangle 5$
 - 7) PCB Bosses accept #4 self tapping screw. $\triangle 6$
 - 8) When used with SK7 the enclosure meets or exceeds IP 67 and NEMA 4X, 12 and 13 MIL-STD-810G 506.5 (.03 lb / 14g)

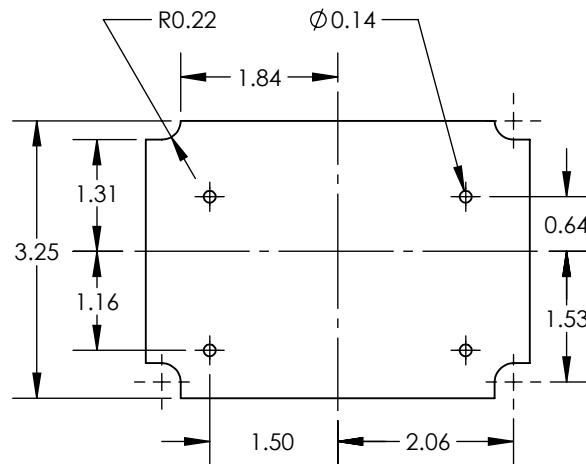
SERPAC 172i9V CIRCUIT BOARD

ELECTRONIC ENCLOSURES

Top Option



Bottom Option A



Bottom Option B

