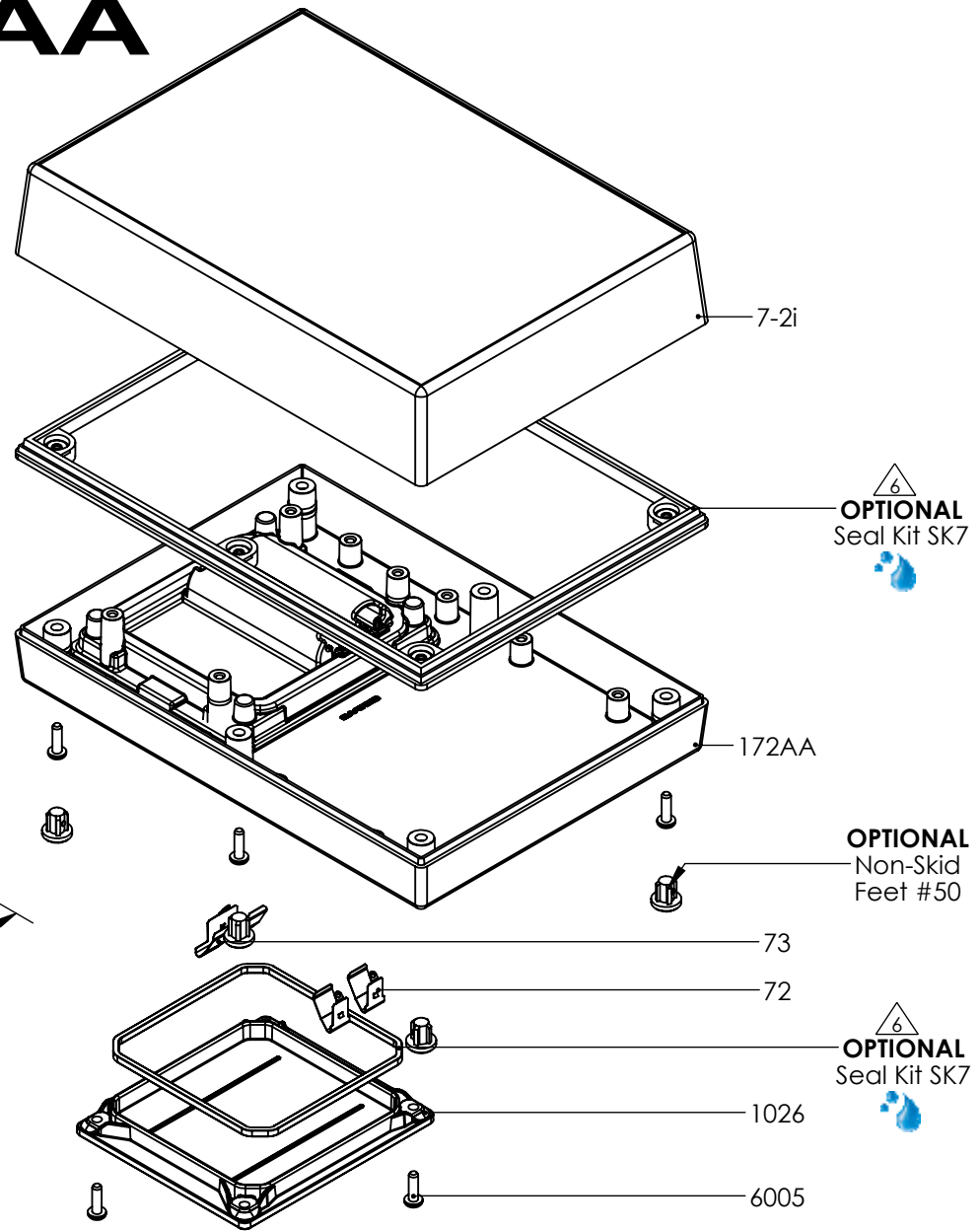
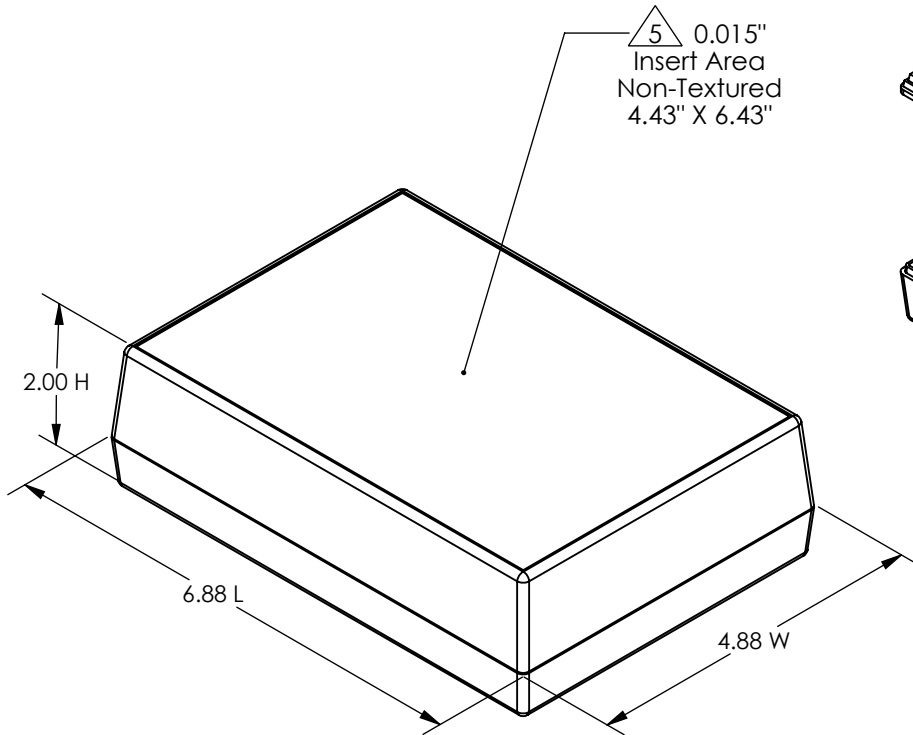


SERPAC 172i2AA

ELECTRONIC ENCLOSURES

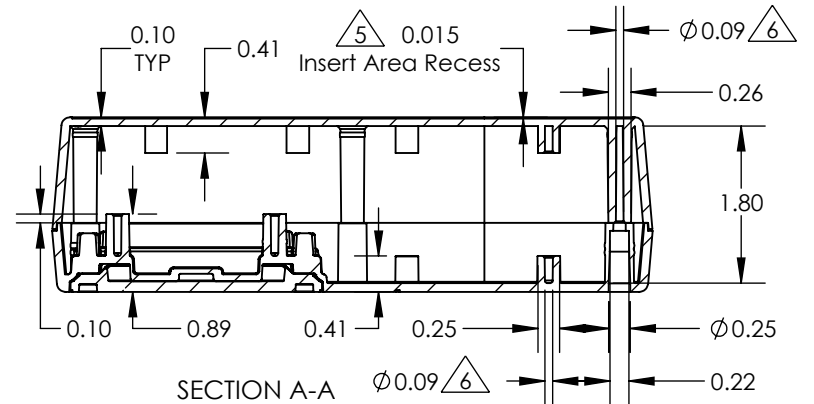
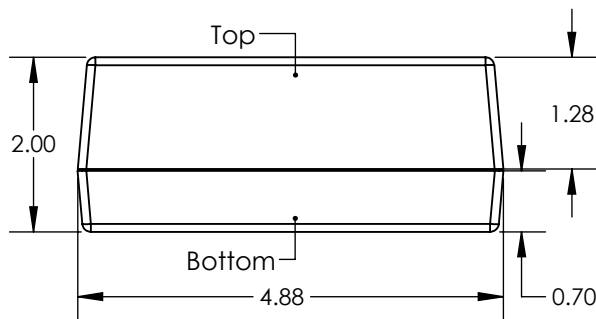
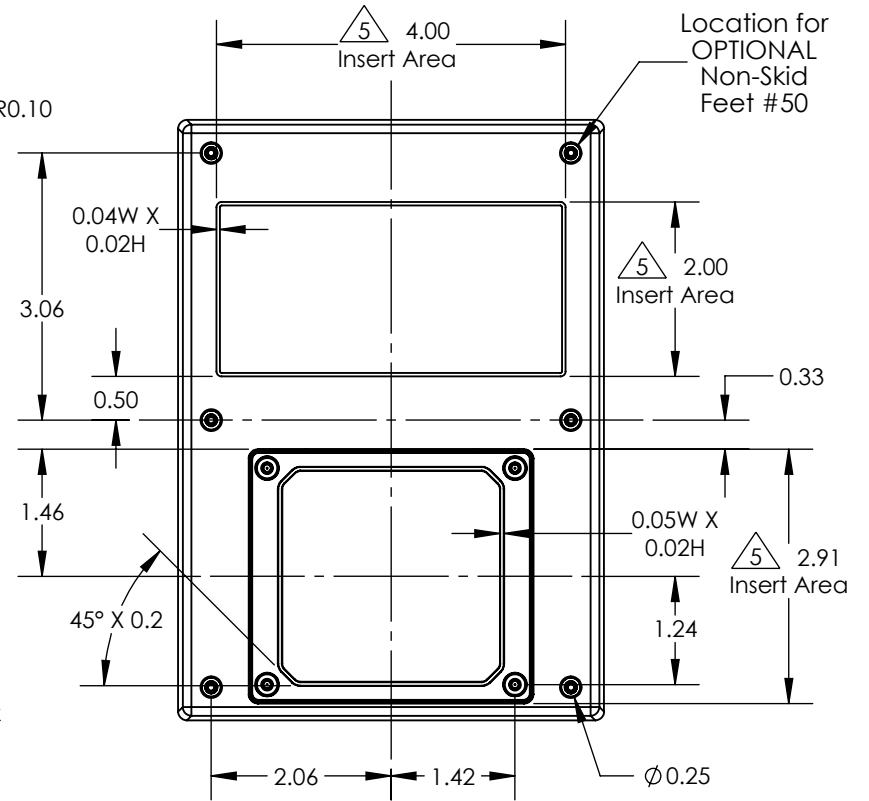
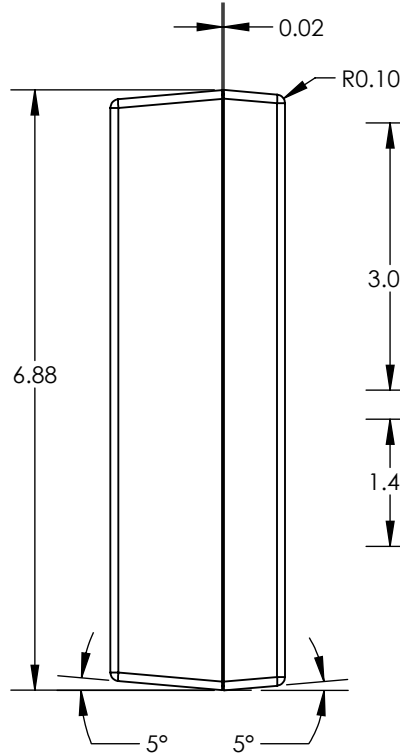
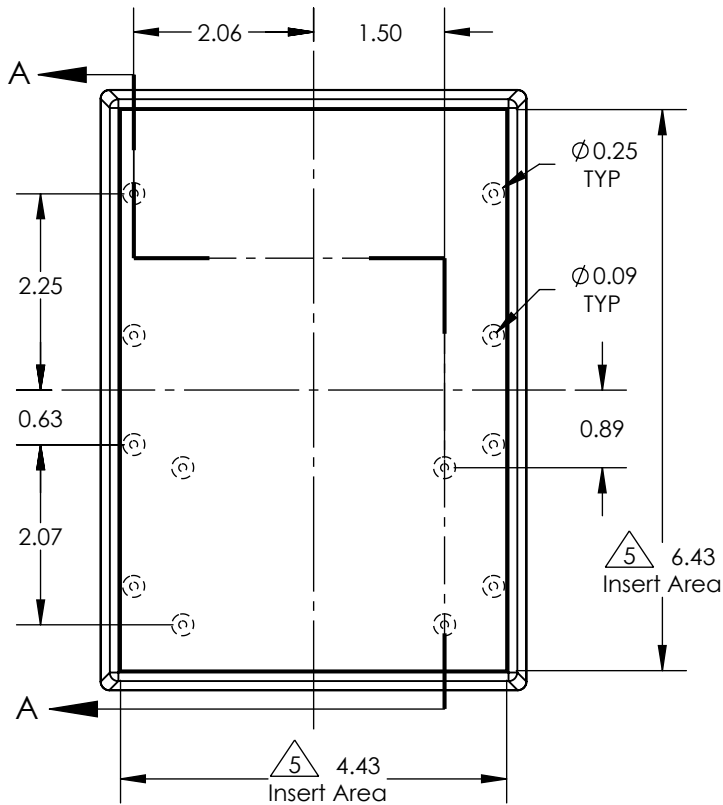


PART NO.	DESCRIPTION (Included)	ACCESSORIES (Optional)
7-2i	Top	
172AA	2AA Bottom	
6005	#4X3/8" Self-Tapping Screw (8)	
1026	Access Door	
73	Double Battery Contact	
72	Single Battery Contact (2)	
		PART NO. DESCRIPTION
		50 Non-Skid Feet
		60 Standoff Hole
		61 Standoff Post
		SK7 Waterproof Seal Kit

Notes: Enclosure weight .49 lb / 225 g
 1) Enclosure meets or exceeds IP40 and NEMA 1
 2) Circuit Board drawings see sheet 3.
 3) All components are RoHS Compliant.
 4) Material: Top and Bottom ABS.
 5) Customizable Molding Areas.
 6) When used with SK7 the enclosure meets or exceeds IP 67 and NEMA 4X, 12 and 13 MIL-STD-810G 506.5 (.03 lb / 14g)

SERPAC 172i2AA

ELECTRONIC ENCLOSURES

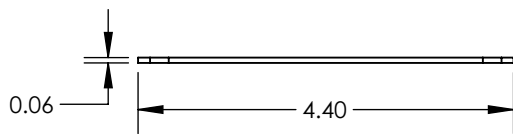
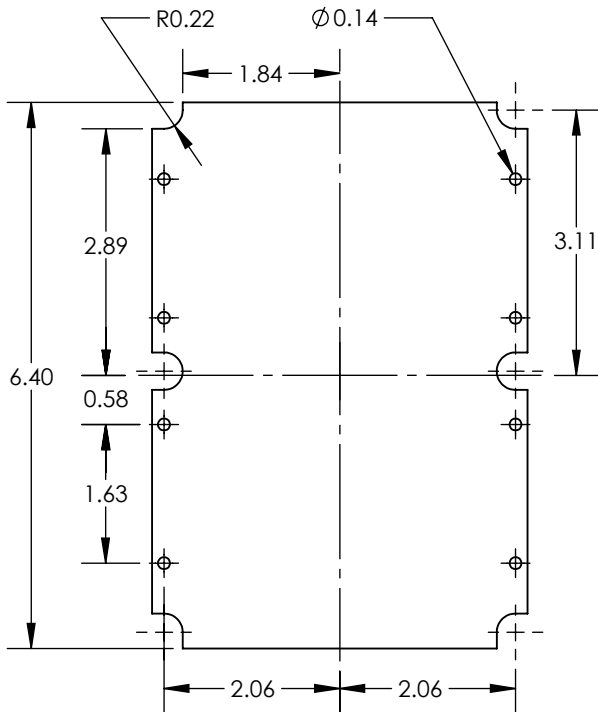


- Notes:
- 1) Enclosure weight .49 lb / 225 g
 - 2) Enclosure meets or exceeds IP40 and NEMA 1
 - 3) Circuit Board drawings see sheet 3.
 - 4) All components are RoHS Compliant.
 - 5) Material: Top and Bottom ABS.
 - 6) Customizable molding areas. $\triangle 5$
 - 7) PCB Bosses accept #4 self tapping screw. $\triangle 6$
 - 8) When used with SK7 the enclosure meets or exceeds IP 67 and NEMA 4X, 12 and 13 MIL-STD-810G 506.5 (.03 lb / 14g)

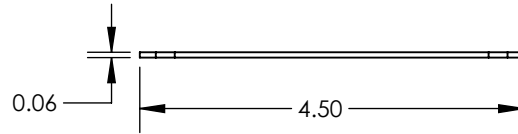
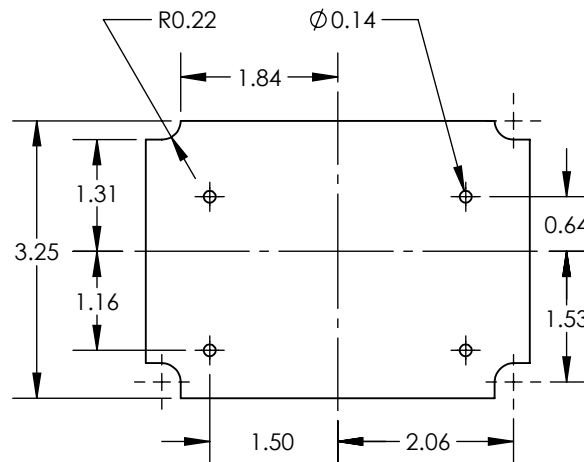
SERPAC 172i2AA CIRCUIT BOARD

ELECTRONIC ENCLOSURES

Top Option



Bottom Option A



Bottom Option B

