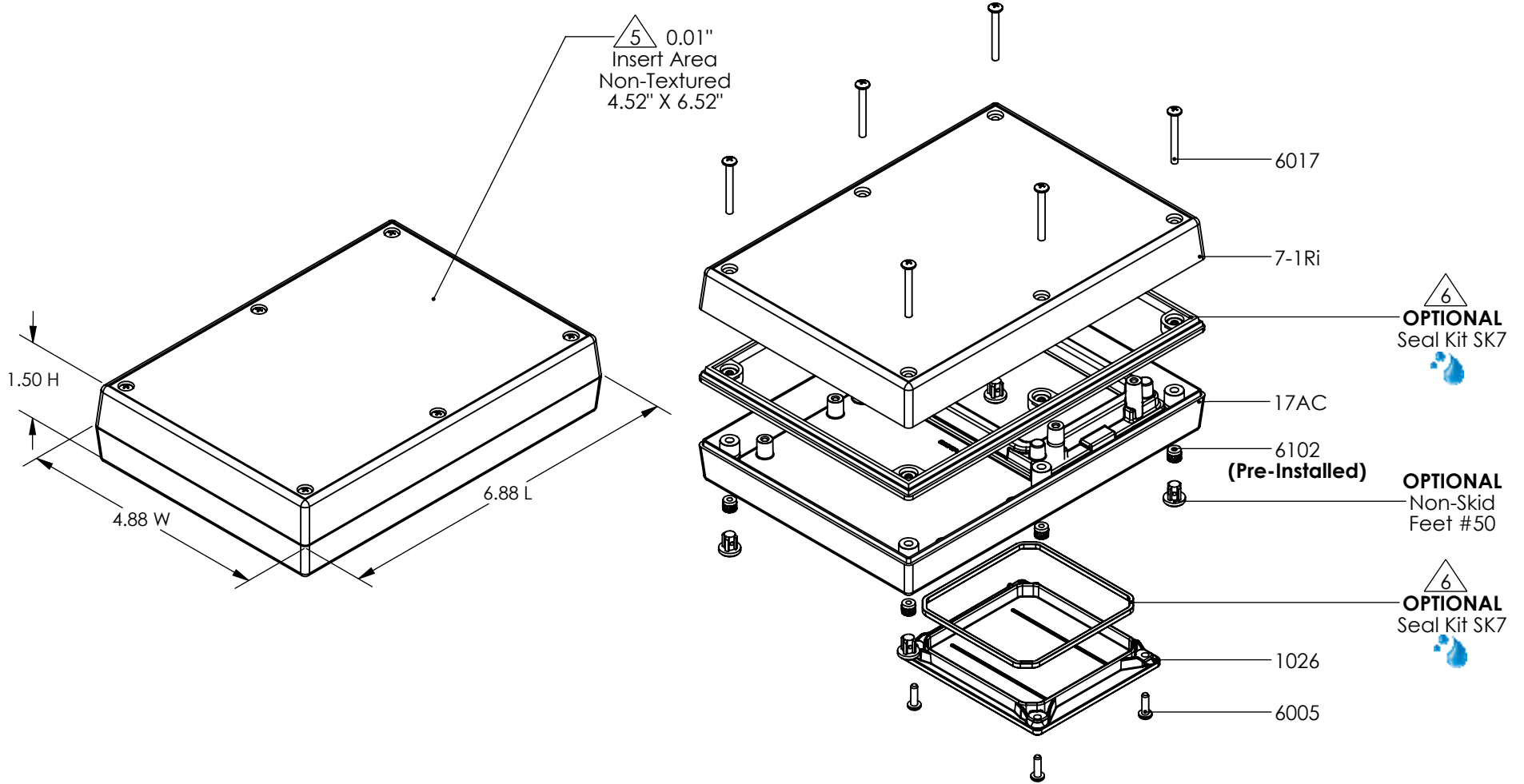


SERPAC 171RiAC

ELECTRONIC ENCLOSURES



PART NO.	DESCRIPTION (Included)	ACCESSORIES (Optional)	
7-1Ri	Top	PART NO.	DESCRIPTION
17AC	Access Compartment Bottom	1030	Pocket Clip
6005	#4X3/8" Self-Tapping Screw (4)	50	Non-Skid Feet
1026	Access Door	55	Key Holder
6017	4-40 x 1" Screw (4)	60	Standoff Hole
6102	4-40 Threaded Inserts (4)	61	Standoff Post
		SK7	Waterproof Seal Kit

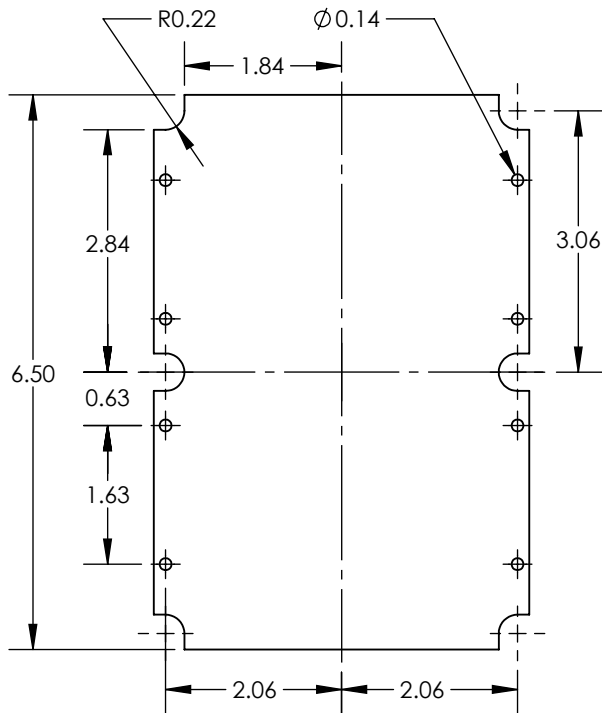
Notes: Enclosure weight .46 lb / 207 g

- 1) Enclosure meets or exceeds IP40 and NEMA 1
- 2) Circuit Board drawings see sheet 3.
- 3) All components are RoHS Compliant.
- 4) Material: Top and Bottom ABS.
- 5) Customizable molding area. 5
- 6) When used with SK7 the enclosure meets or exceeds IP 67 and NEMA 4X, 12 and 13 MIL-STD-810G 506.5 (.03 lb / 14g) 6

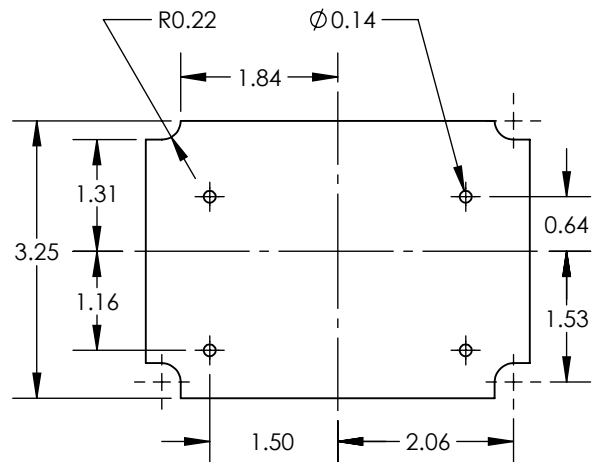
SERPAC 171RiAC CIRCUIT BOARD

ELECTRONIC ENCLOSURES

Top Option



Bottom Option A



Bottom Option B

