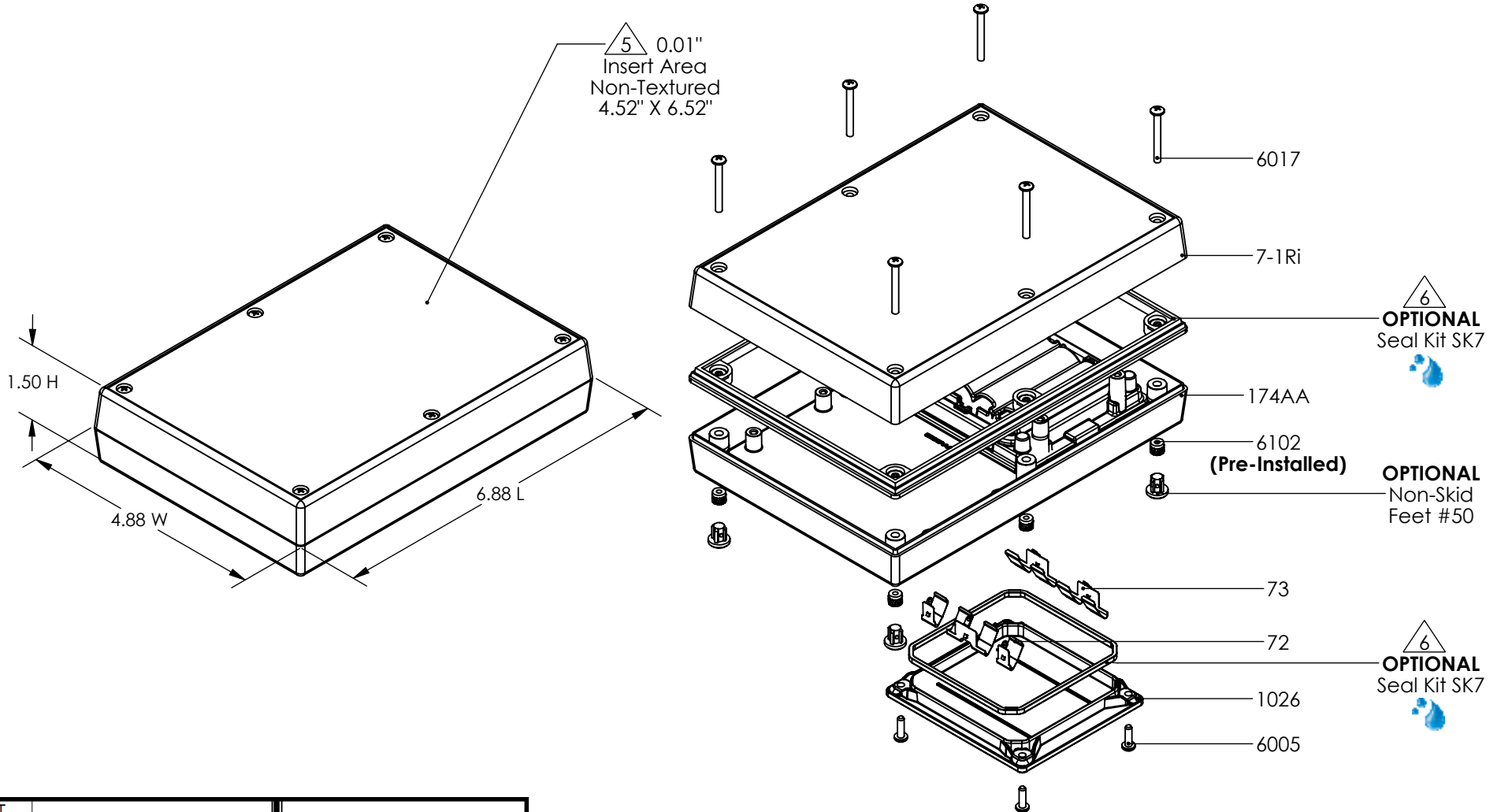


# SERPAC 171Ri4AA

ELECTRONIC ENCLOSURES



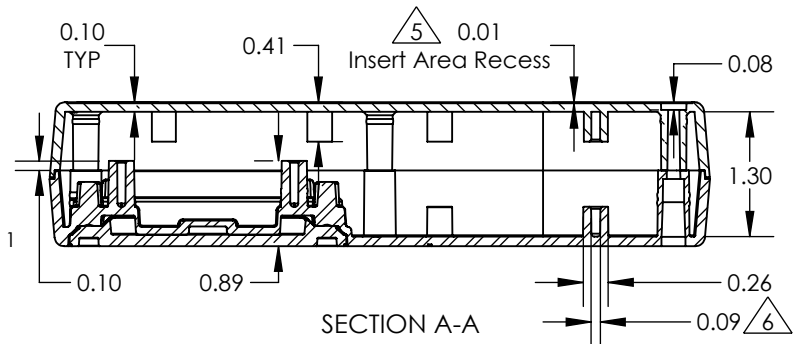
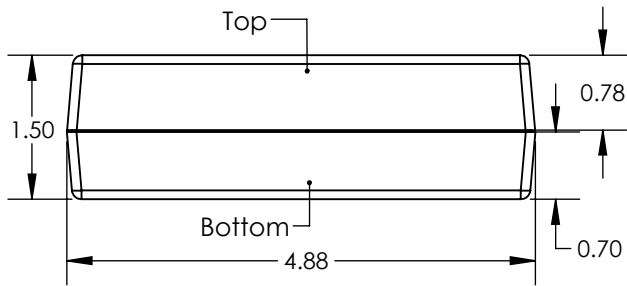
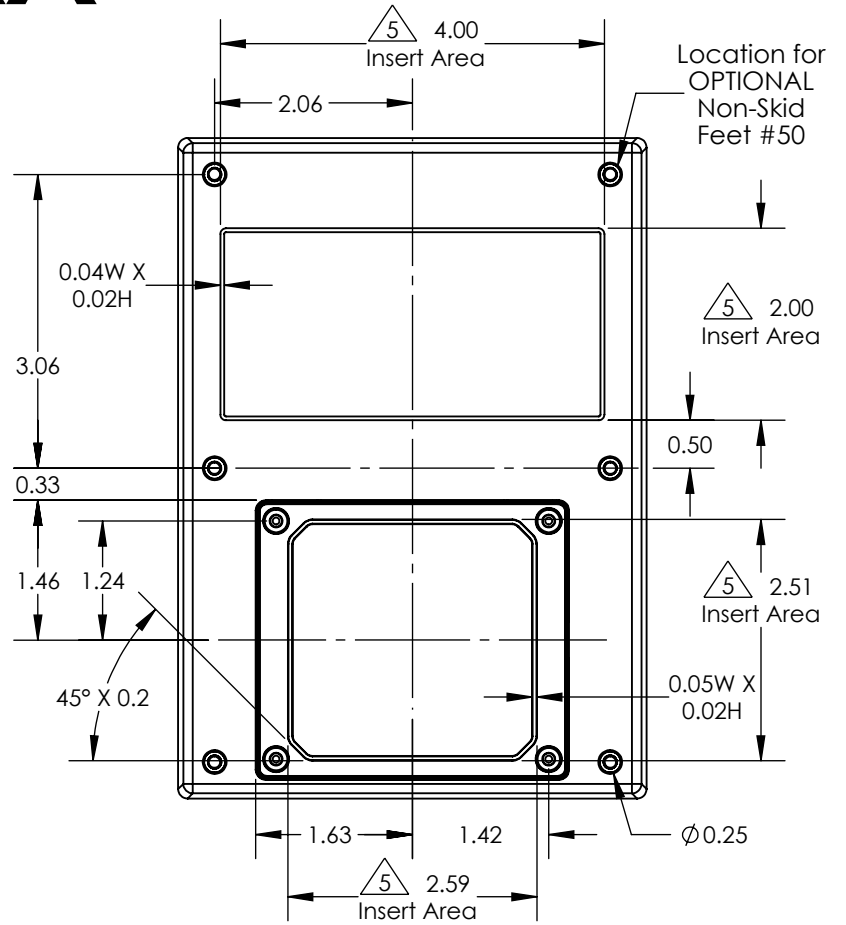
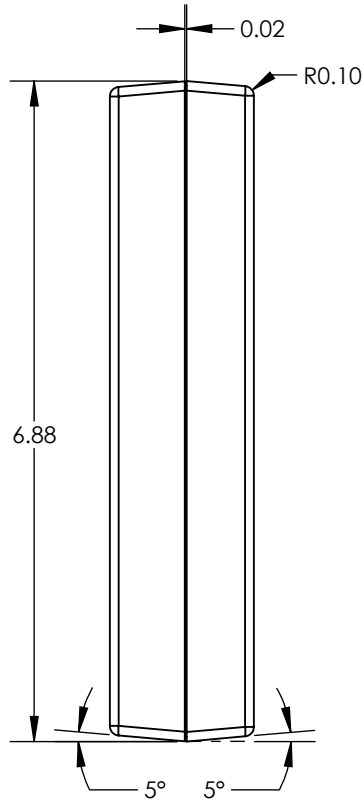
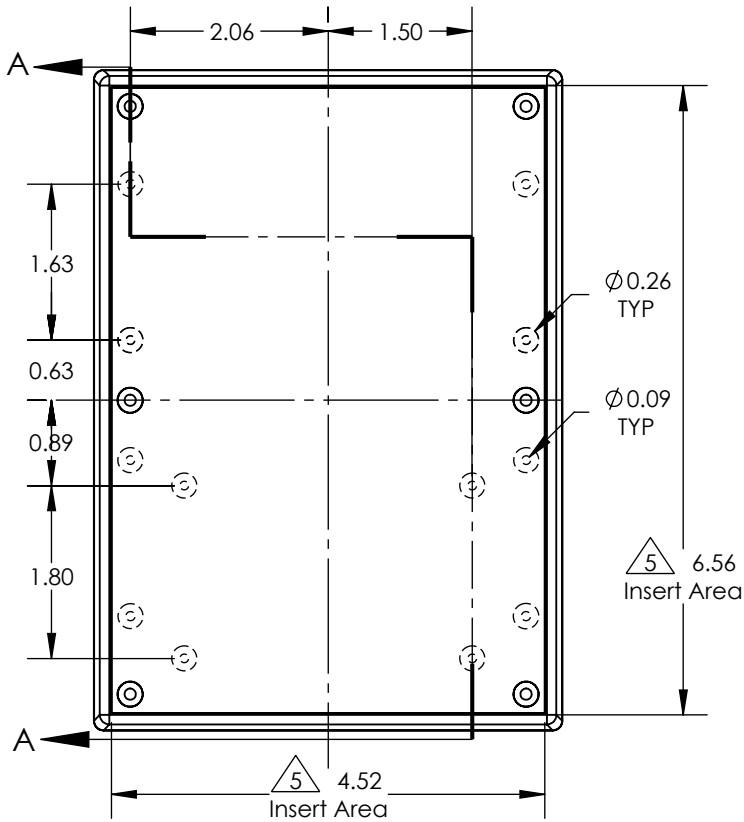
PART NO.	DESCRIPTION (Included)	ACCESSORIES (Optional)	
7-1Ri	Top	PART NO.	DESCRIPTION
174AA	4AA Bottom	1030	Pocket Clip
6005	#4X3/8" Self-Tapping Screw (4)	50	Non-Skid Feet
1026	Access Door	55	Key Holder
73	Double Battery Contact (3)	60	Standoff Hole
72	Single Battery Contact (2)	61	Standoff Post
6017	4-40 x 1" Screw (4)	SK7	Waterproof Seal Kit
6102	4-40 Threaded Inserts (4)		

Notes: Enclosure weight .47 lb / 216 g

- 1) Enclosure meets or exceeds IP40 and NEMA 1
- 2) Circuit Board drawings see sheet 3.
- 3) All components are RoHS Compliant.
- 4) Material: Top and Bottom ABS.
- 5) Customizable molding area. 5
- 6) When used with SK7 the enclosure meets or exceeds IP 67 and NEMA 4X, 12 and 13 MIL-STD-810G 506.5 (.03 lb / 14g) 6

# SERPAC 171Ri4AA

ELECTRONIC ENCLOSURES

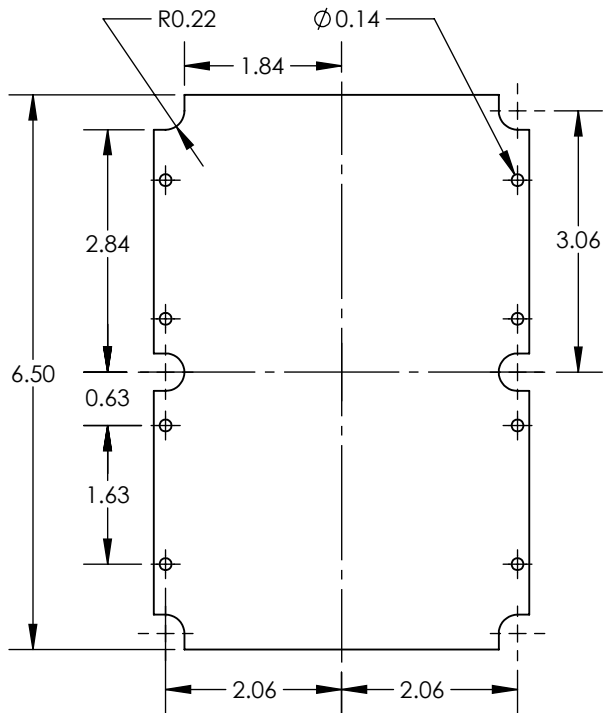


- Notes:
- 1) Enclosure meets or exceeds IP40 and NEMA 1
  - 2) Circuit Board drawings see sheet 3.
  - 3) All components are RoHS Compliant.
  - 4) Material: Top and Bottom ABS.
  - 5) Customizable molding areas.  $\triangle 5$
  - 6) PCB Bosses accept #4 self tapping screw.  $\triangle 6$
  - 7) When used with SK7 the enclosure meets or exceeds IP 67 and NEMA 4X, 12 and 13 MIL-STD-810G 506.5 (.03 lb / 14g)

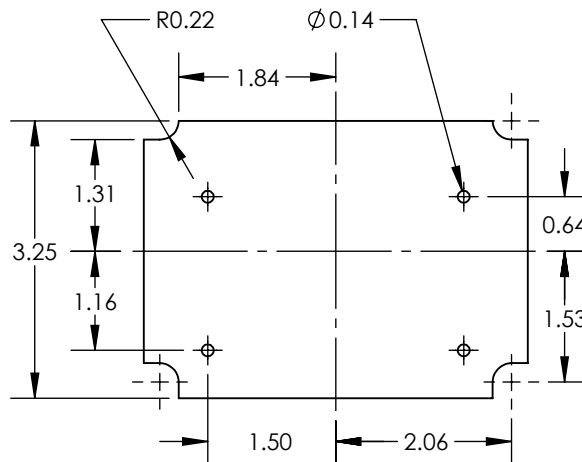
# SERPAC 171Ri4AA CIRCUIT BOARD

ELECTRONIC ENCLOSURES

## Top Option



## Bottom Option A



## Bottom Option B

