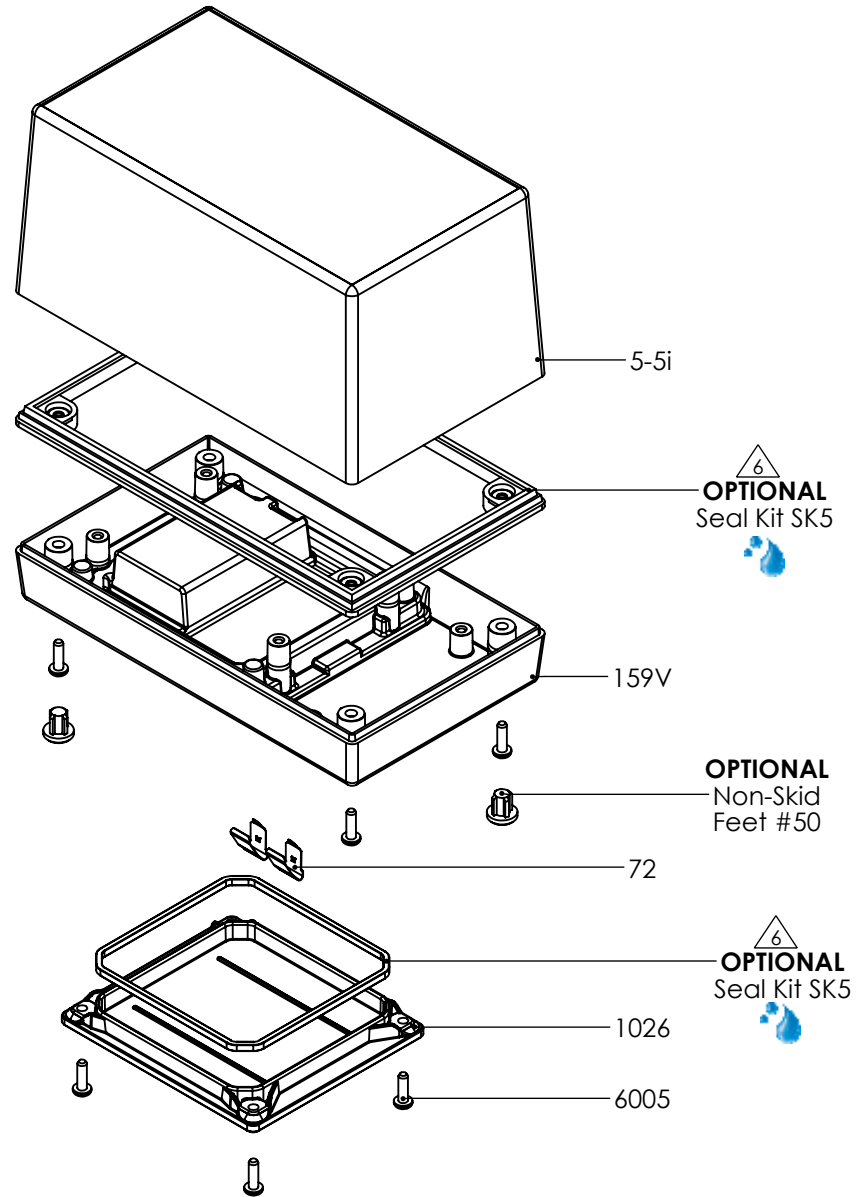
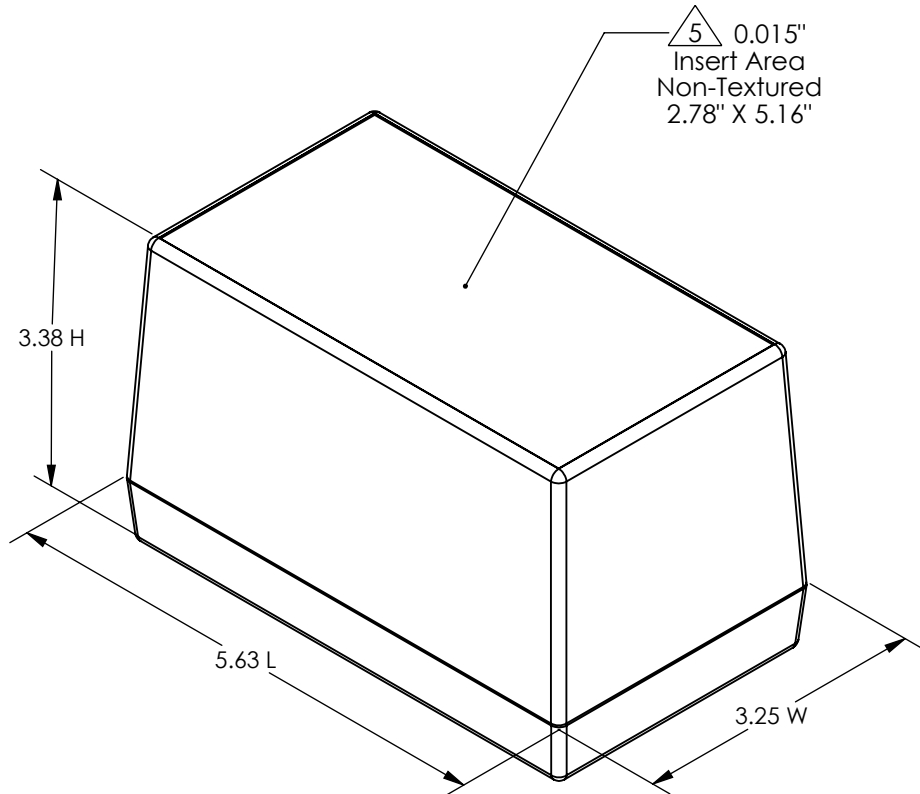


SERPAC 155i9V

ELECTRONIC ENCLOSURES



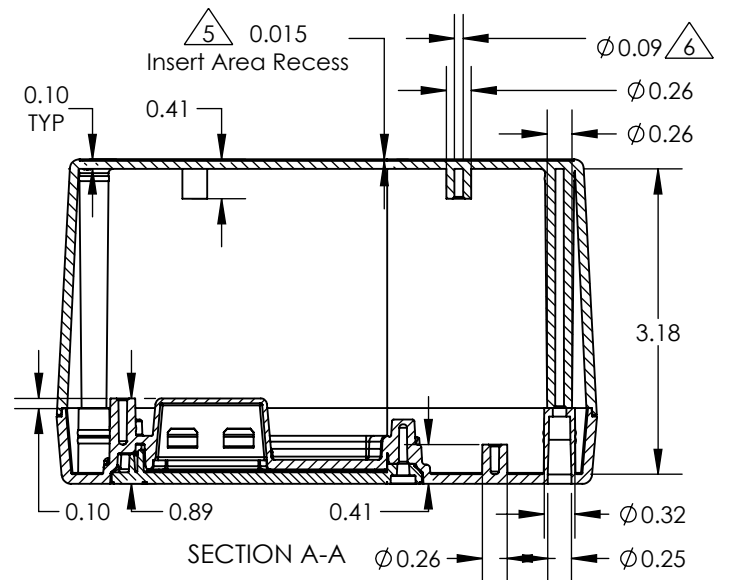
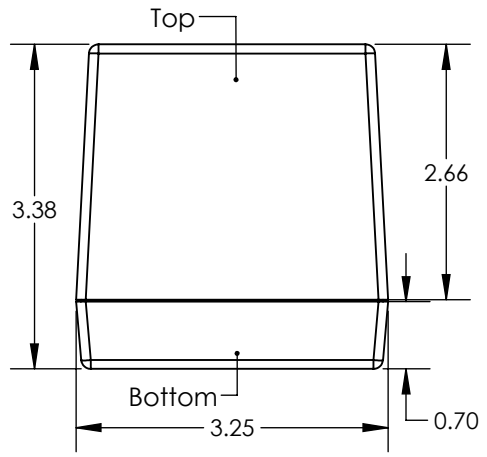
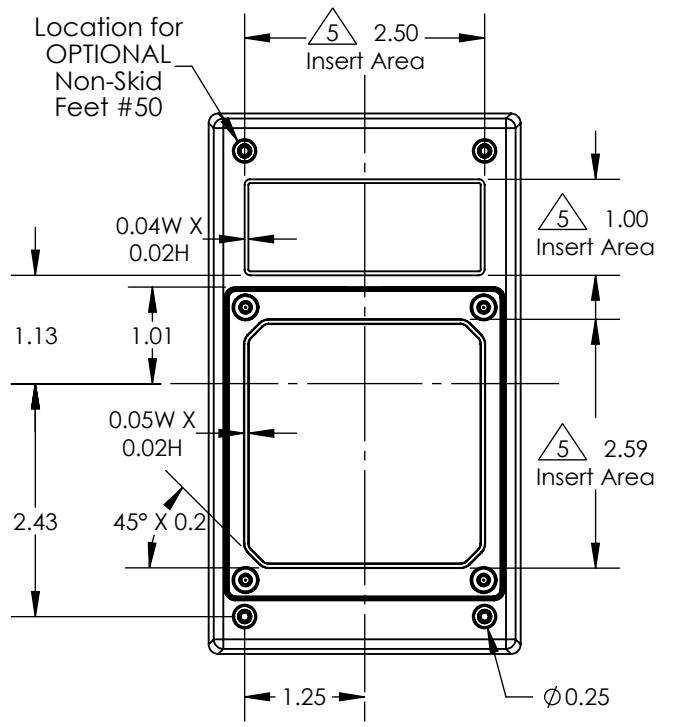
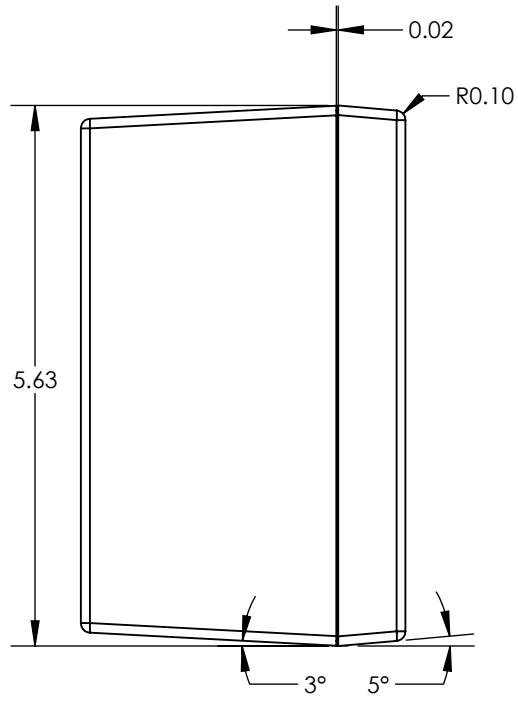
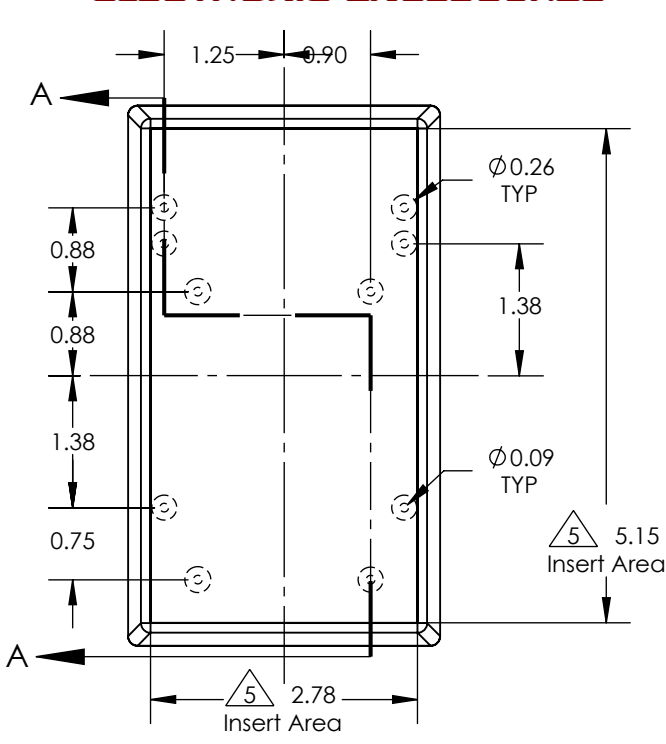
PART NO.	DESCRIPTION (Included)	ACCESSORIES (Optional)	
5-5i	Top	PART NO.	DESCRIPTION
159V	9V Bottom	1030	Pocket Clip
6013	#4X3/16" Self-Tapping Screw (8)	50	Non-Skid Feet
1026	Access Door	55	Key Holder
72	Single Battery Contact (2)	60	Standoff Hole
		61	Standoff Post
		SK5	Waterproof Seal Kit

Notes: Enclosure weight .42 lb / 191 g

- 1) Enclosure meets or exceeds IP40 and NEMA 1
- 2) Circuit Board drawings see sheet 3.
- 3) All components are RoHS Compliant.
- 4) Material: Top and Bottom ABS.
- 5) Customizable Molding Areas. 5
- 6) When used with SK5 the enclosure meets or exceeds IP 67 and NEMA 4X, 12 and 13 MIL-STD-810G 506.5 (.02 lb / 11g) 6

SERPAC 155i9V

ELECTRONIC ENCLOSURES

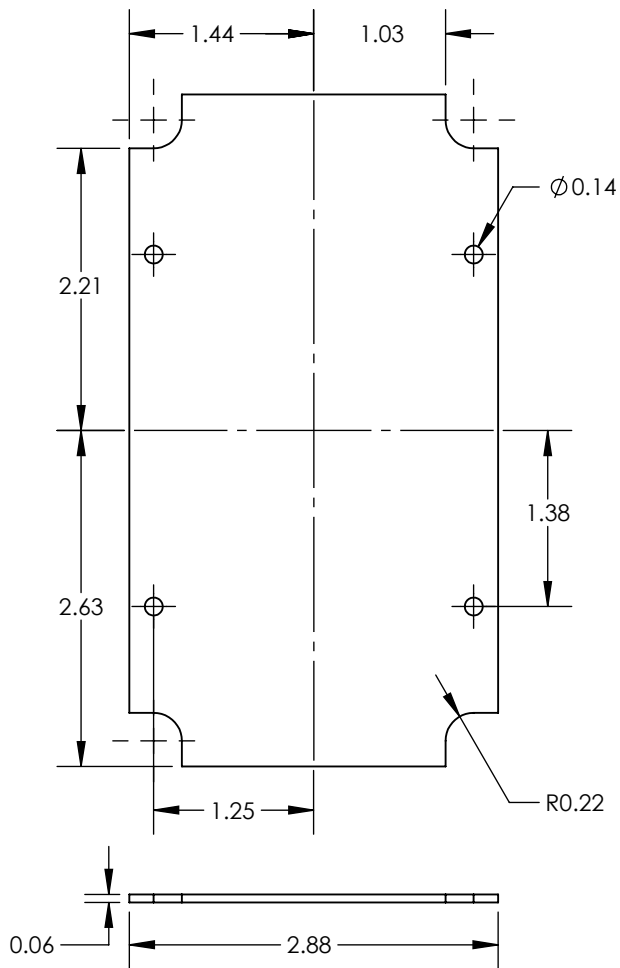


- Notes: Enclosure weight .42 lb / 191 g
- 1) Enclosure meets or exceeds IP40 and NEMA 1
 - 2) Circuit Board drawings see sheet 3.
 - 3) All components are RoHS Compliant.
 - 4) Material: Top and Bottom ABS.
 - 5) Customizable molding areas. 5
 - 6) PCB Bosses accept #4 self tapping screw. 6
 - 7) When used with SK3 the enclosure meets or exceeds IP 67 and NEMA 4X, 12 and 13 MIL-STD-810G 506.5 (.02 lb / 11g)

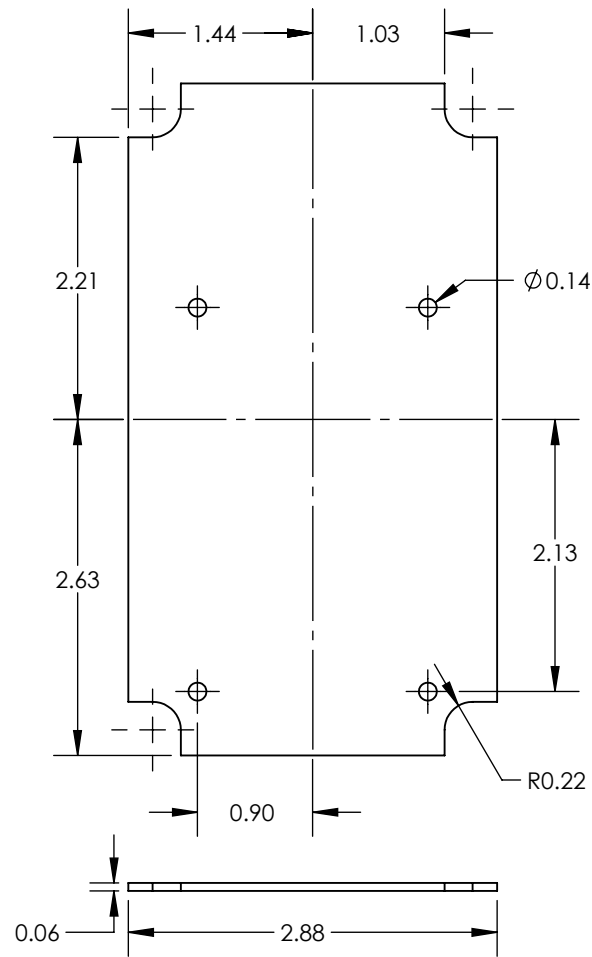
SERPAC 155i9V CIRCUIT BOARD

ELECTRONIC ENCLOSURES

Top Option



Bottom Option A



Bottom Option B

