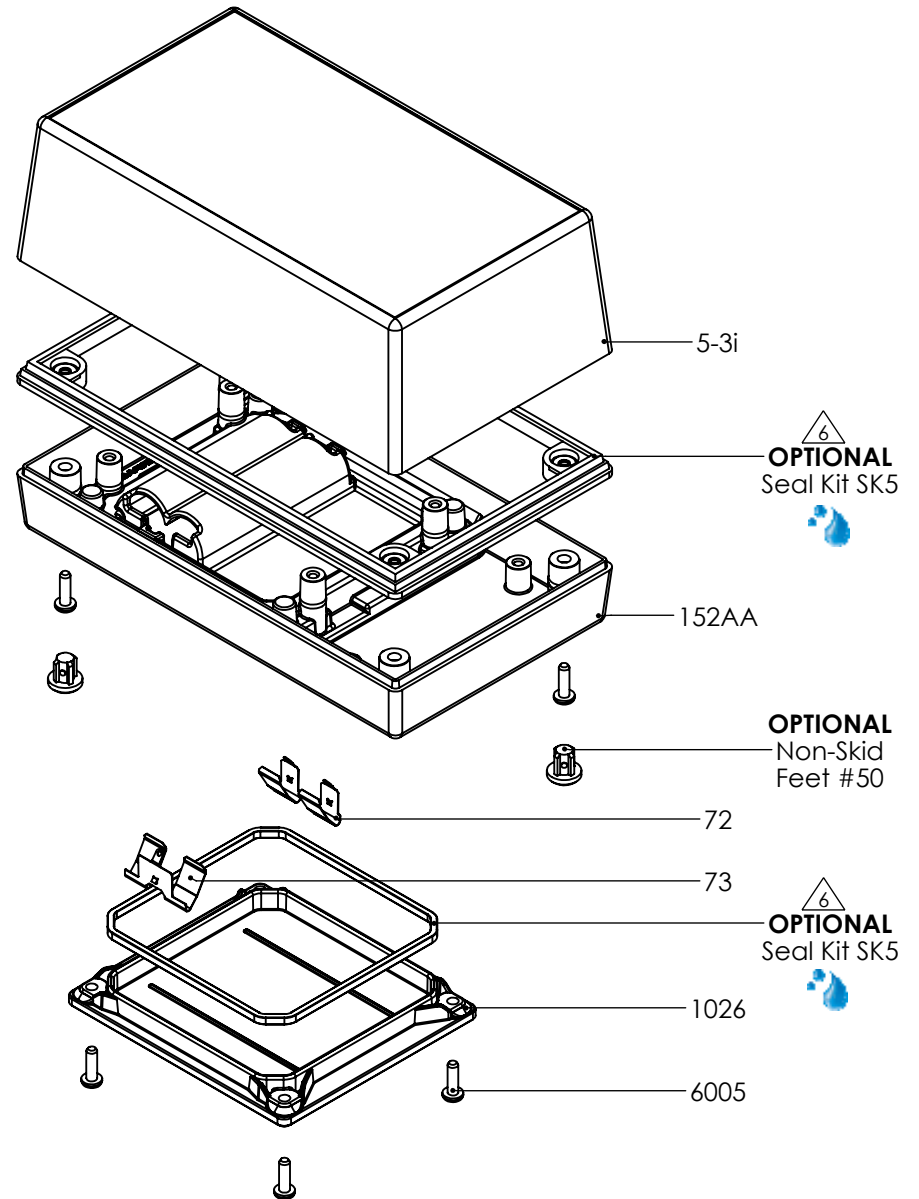
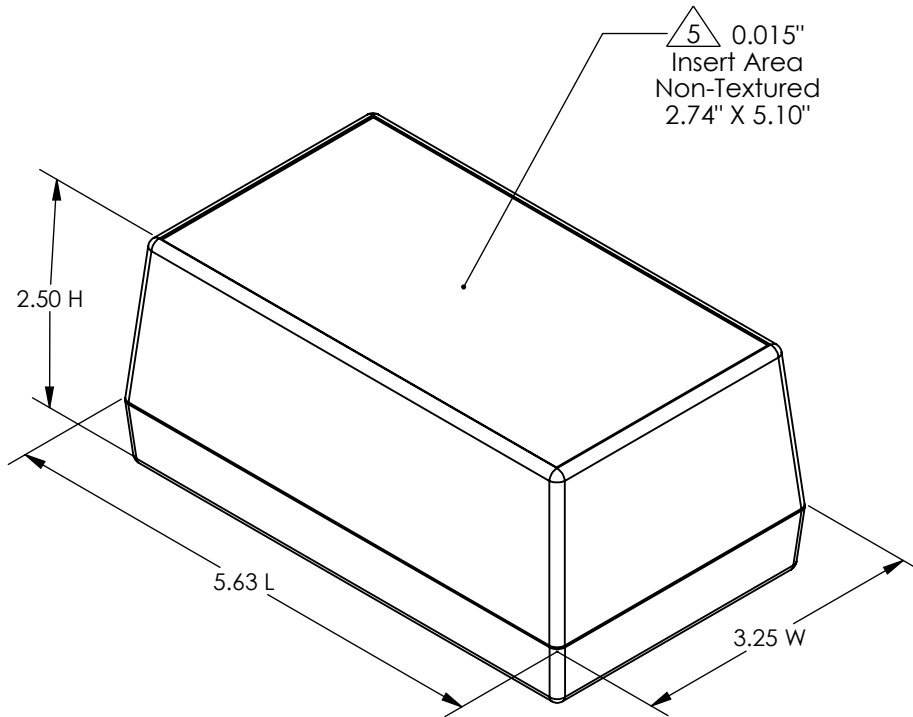


# SERPAC 153i2AA

ELECTRONIC ENCLOSURES



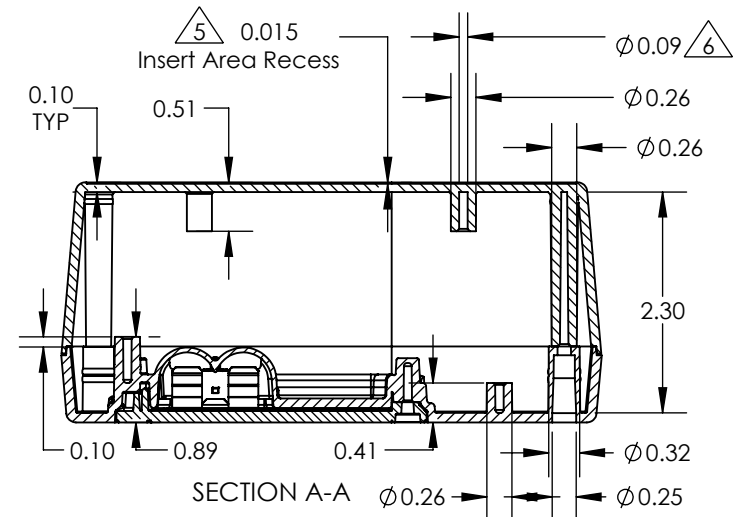
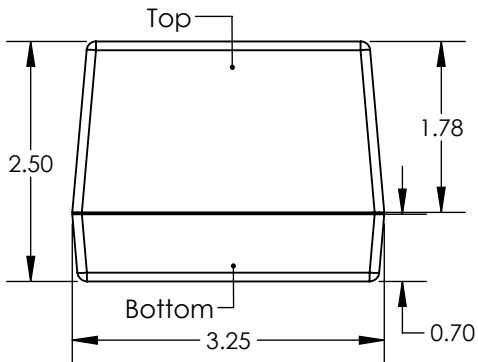
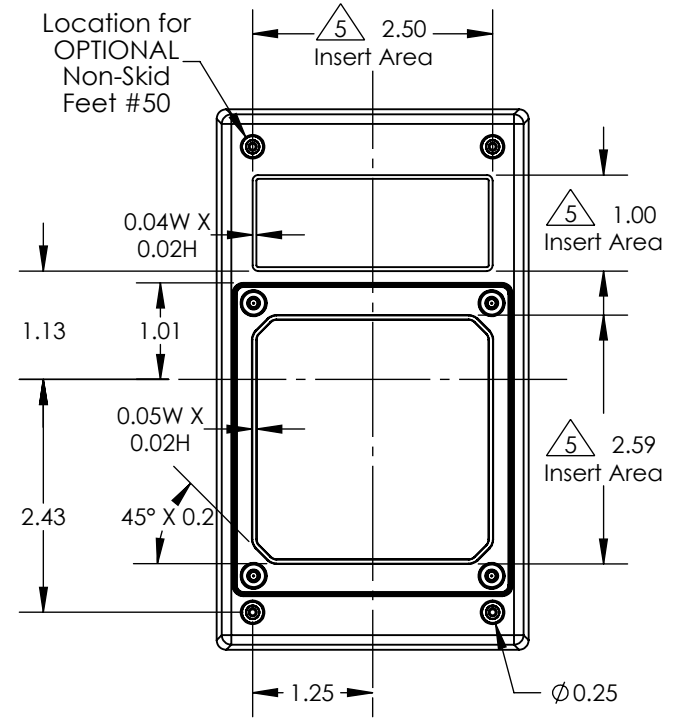
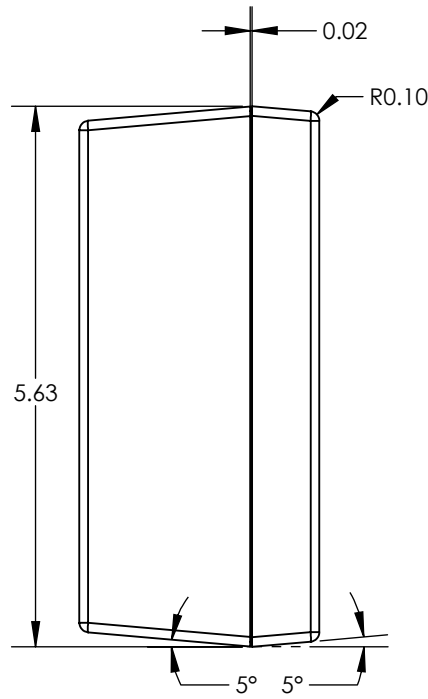
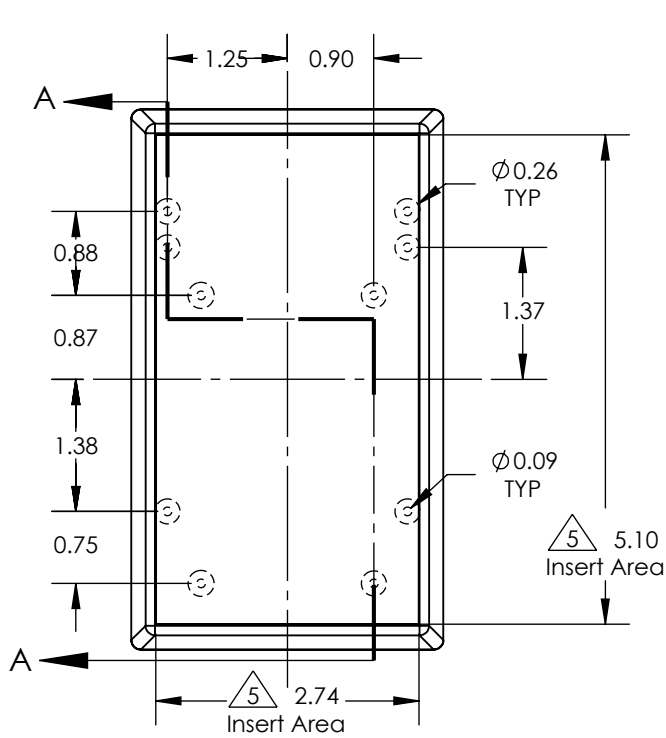
PART NO.	DESCRIPTION (Included)	PART NO.	DESCRIPTION (Optional)
5-3i	Top	1030	Pocket Clip
152AA	2AA Bottom	50	Non-Skid Feet
6013	#4X3/16" Self-Tapping Screw (8)	55	Key Holder
1026	Access Door	60	Standoff Hole
73	Double Battery Contact	61	Standoff Post
72	Single Battery Contact (2)	SK5	Waterproof Seal Kit

Notes: Enclosure weight .37 lb / 168 g

- 1) Enclosure meets or exceeds IP40 and NEMA 1
- 2) Circuit Board drawings see sheet 3.
- 3) All components are RoHS Compliant.
- 4) Material: Top and Bottom ABS.
- 5) Customizable Molding Areas.
- 6) When used with SK5 the enclosure meets or exceeds IP 67 and NEMA 4X, 12 and 13 MIL-STD-810G 506.5 (.02 lb / 11g)

# SERPAC 153i2AA

ELECTRONIC ENCLOSURES

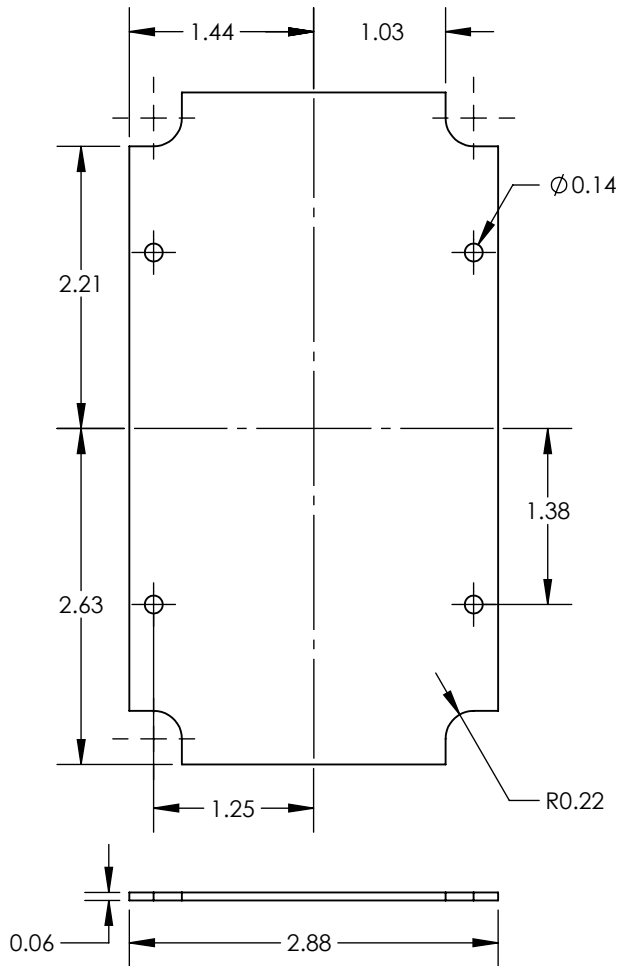


- Notes:
- Enclosure weight .37 lb / 168 g
  - 1) Enclosure meets or exceeds IP40 and NEMA 1
  - 2) Circuit Board drawings see sheet 3.
  - 3) All components are RoHS Compliant.
  - 4) Material: Top and Bottom ABS.
  - 5) Customizable molding areas.  $\triangle 5$
  - 6) PCB Bosses accept #4 self tapping screw.  $\triangle 6$
  - 7) When used with SK3 the enclosure meets or exceeds IP 67 and NEMA 4X, 12 and 13 MIL-STD-810G 506.5 (.02 lb / 11g)

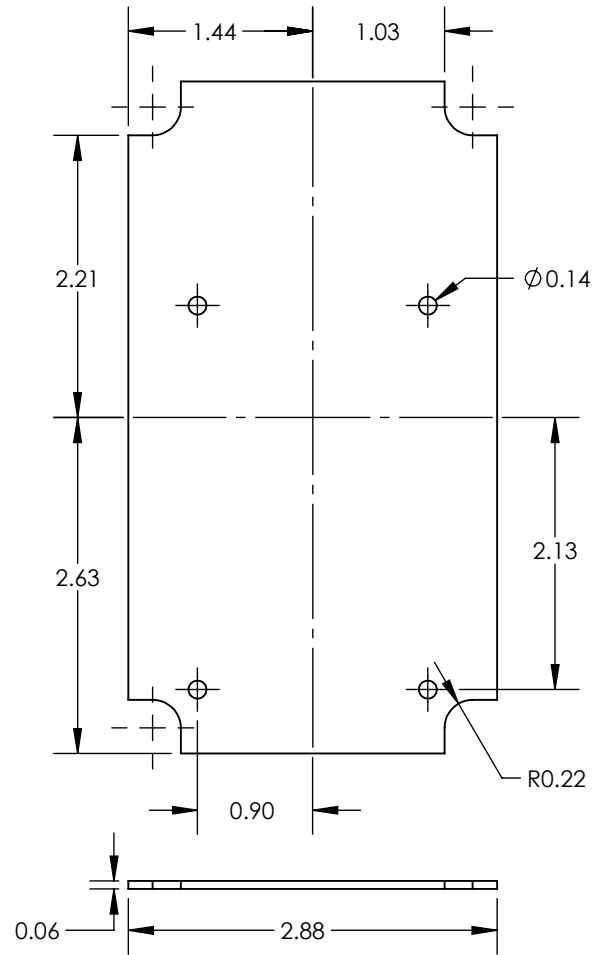
# SERPAC 153i2AA CIRCUIT BOARD

ELECTRONIC ENCLOSURES

## Top Option



## Bottom Option A



## Bottom Option B

