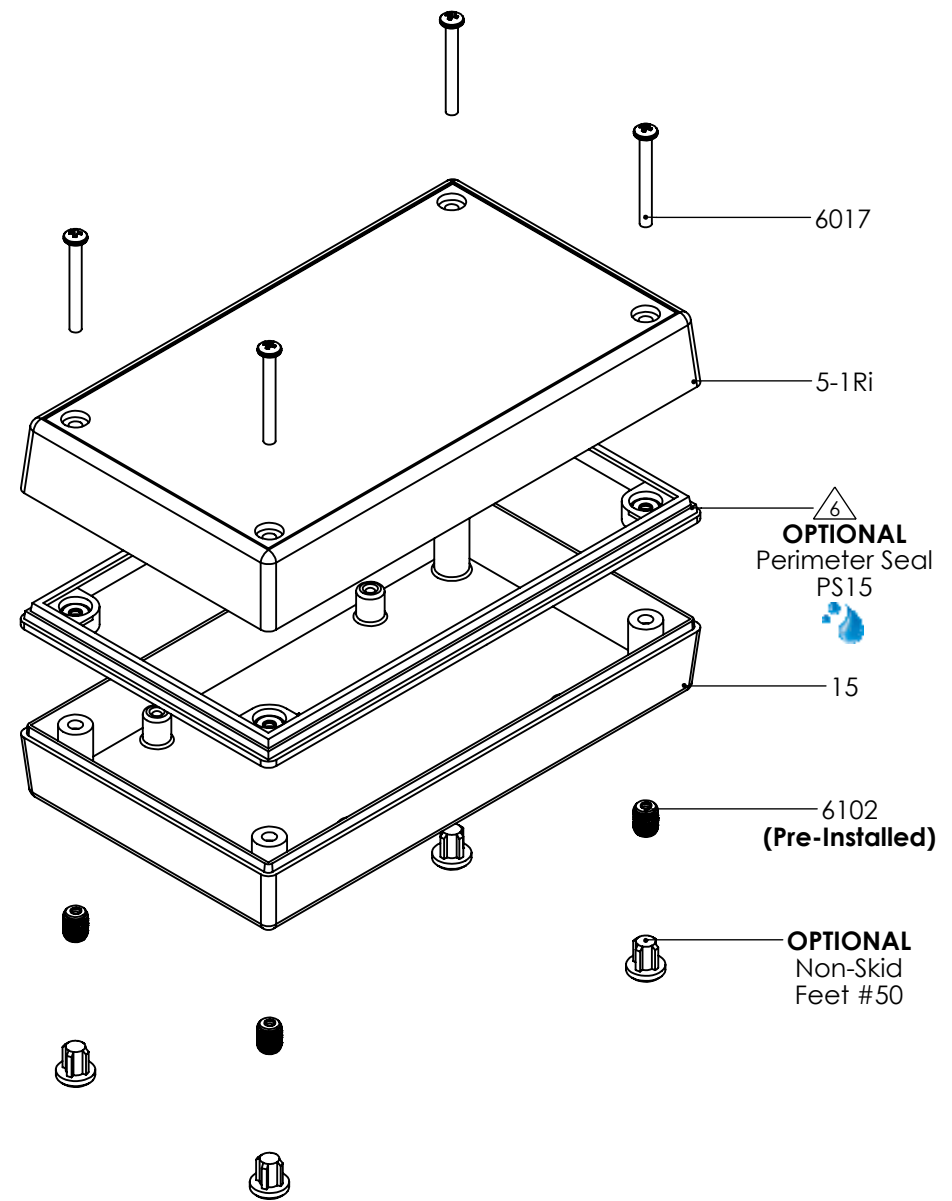
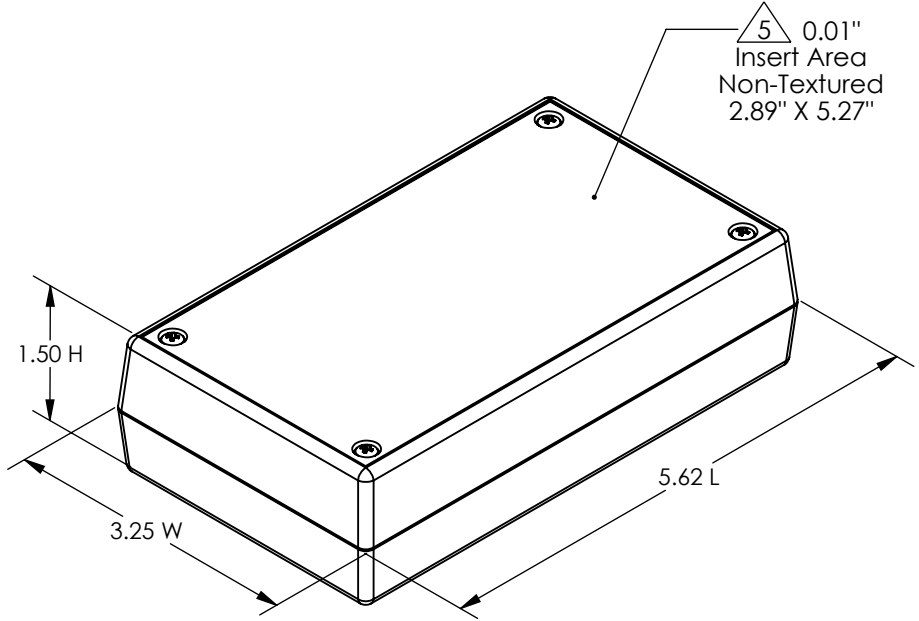


SERPAC 151Ri

ELECTRONIC ENCLOSURES



PART NO.	DESCRIPTION (Included)	ACCESSORIES (Optional)	
5-1Ri	Top	PART NO.	DESCRIPTION
15	Bottom	50	Non-skid Feet
6017	4-40 x 1" Screw (4)	PS15	Waterproof Perimeter Seal
6102	4-40 Threaded Inserts (4)	1030	Pocket Clip
		1040	2AA Battery Holder
		55	Key Holder
		60	Standoff Hole
		61	Standoff Post

Notes: Enclosure weight .25 lb / 112 g

- 1) Enclosure meets or exceeds IP40 and NEMA 1
- 2) Circuit Board drawings see sheet 3.
- 3) All components are RoHS Compliant.
- 4) Material: Top and Bottom ABS.
- 5) Customizable molding areas. 5
- 6) When used with PS15 the enclosure meets or exceeds IP 67 and NEMA 4X, 12 and 13 MIL-STD-810G 506.5 (.02 lb / 11g) 6

SERPAC 151Ri CIRCUIT BOARD

ELECTRONIC ENCLOSURES

Top & Bottom Option

