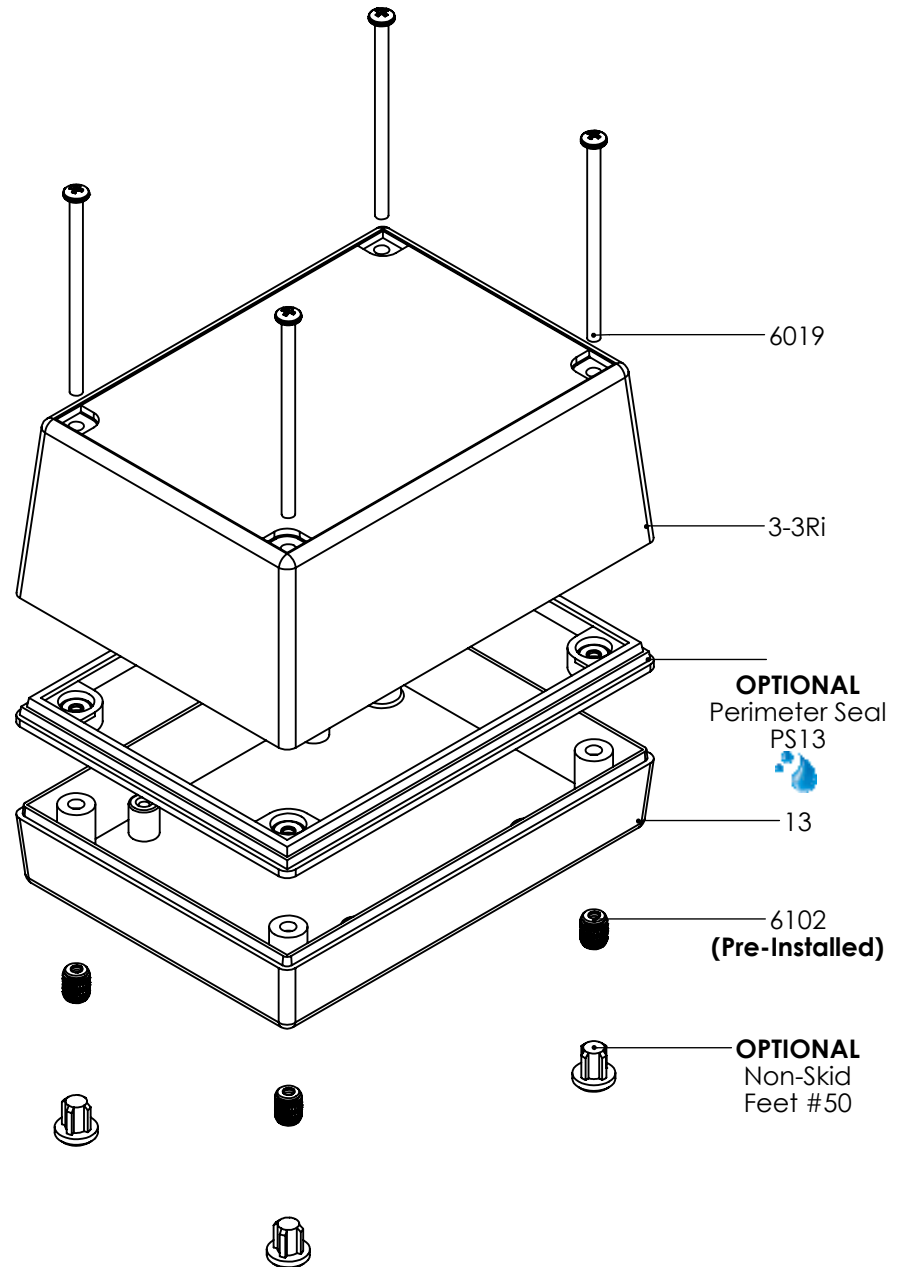
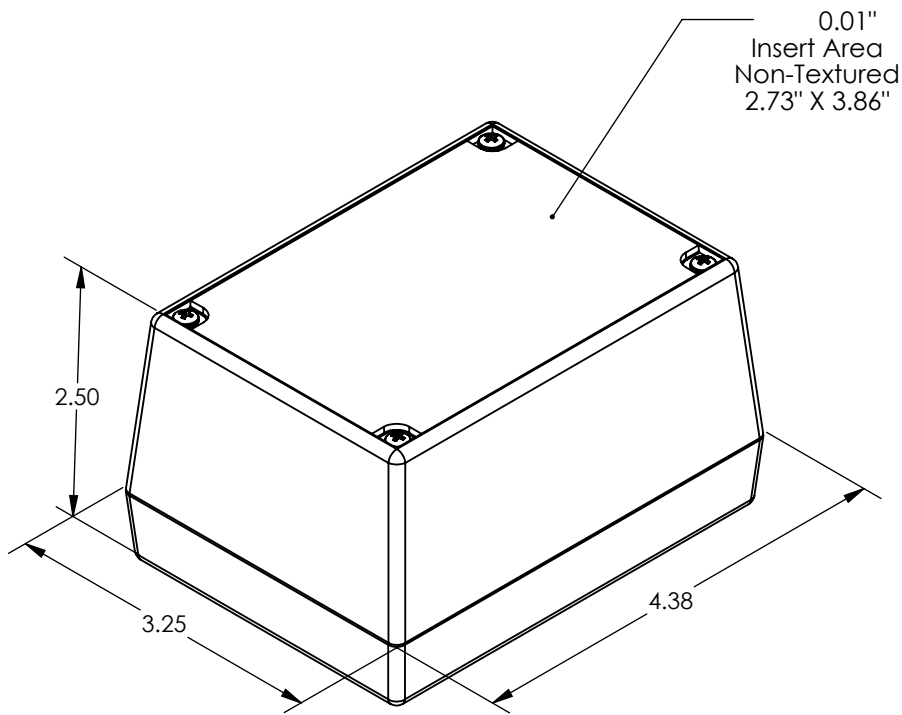


SERPAC 133Ri

ELECTRONIC ENCLOSURES



PART NO.	DESCRIPTION (Included)	ACCESSORIES (Optional)	
3-3Ri	Top	PART NO.	DESCRIPTION
13	Bottom	50	Non-skid Feet
6019	4-40 x 2" Screw (4)	PS13	Waterproof Perimeter Seal
6102	4-40 Threaded Inserts (4)	1030	Pocket Clip
		1040	2AA Battery Holder
		55	Key Holder
		60	Standoff Hole
		61	Standoff Post

Notes: Enclosure weight .26 lb / 120 g
 1) Enclosure meets or exceeds IP40 and NEMA 1
 2) Circuit Board drawings see sheet 3.
 3) All components are RoHS Compliant.
 4) Material: Top and Bottom ABS.
 5) Customizable molding areas.
 6) When used with PS13 the enclosure meets or exceeds IP 67 and NEMA 4X, 12 and 13 MIL-STD-810G 506.5 (.02 lb / 10g)

SERPAC 133Ri CIRCUIT BOARD

ELECTRONIC ENCLOSURES

Top & Bottom Option

