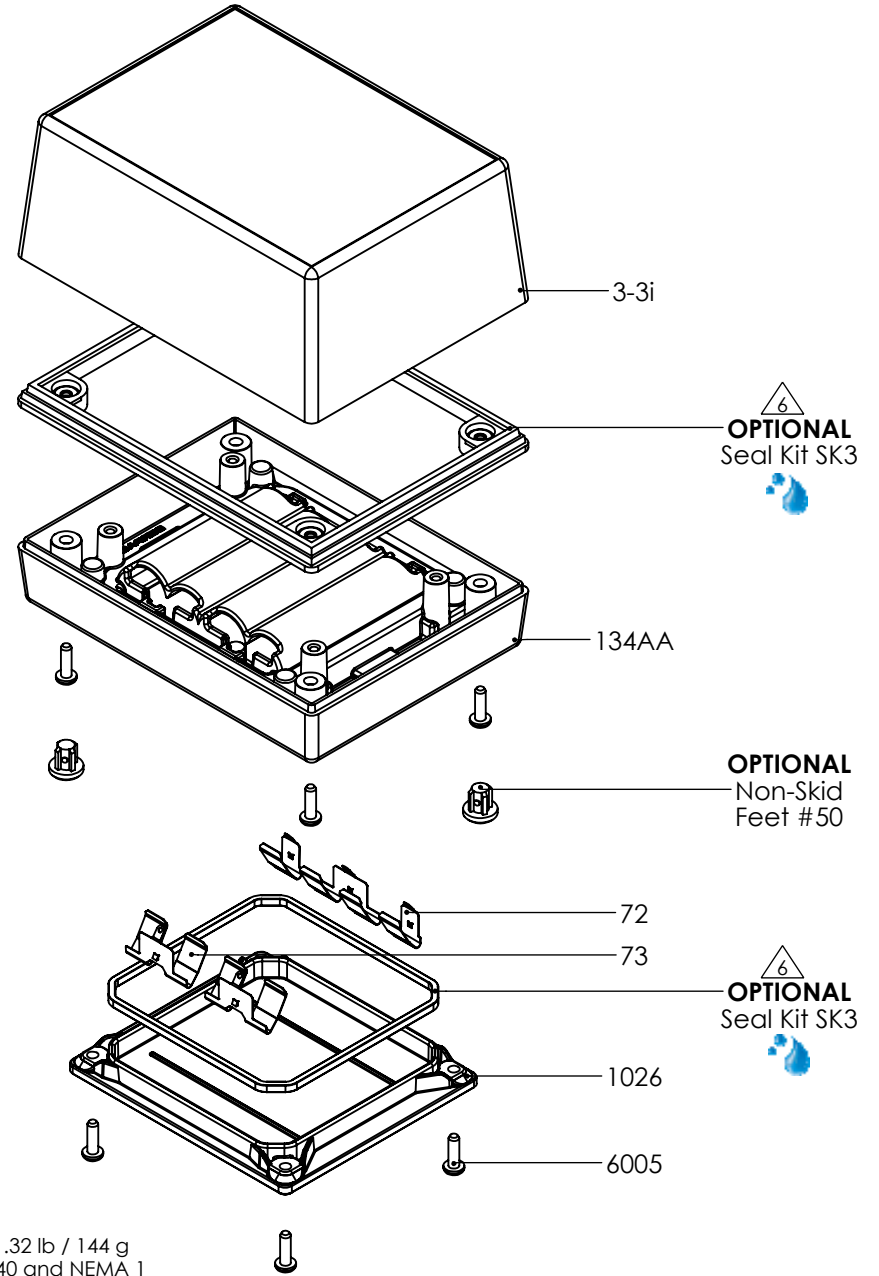
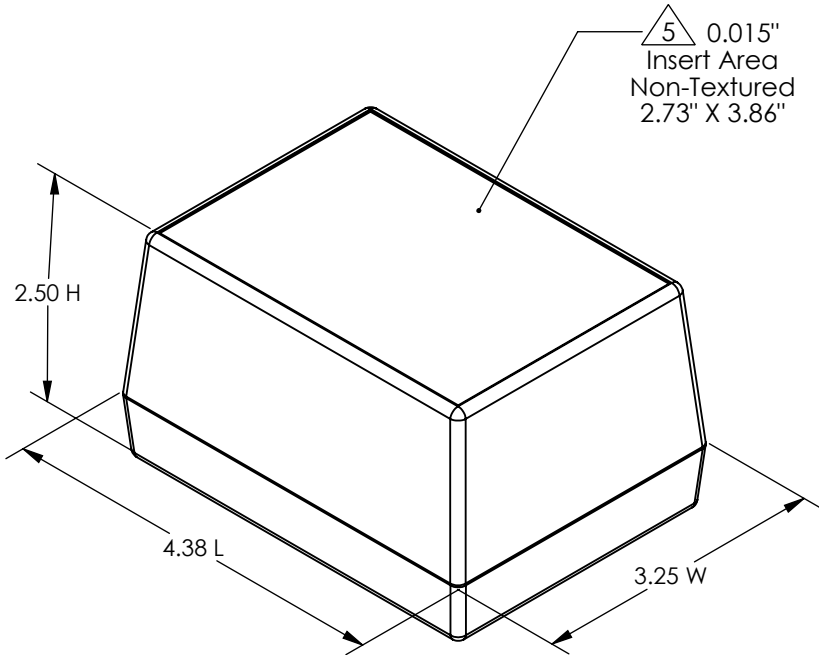


SERPAC 133i4AA

ELECTRONIC ENCLOSURES



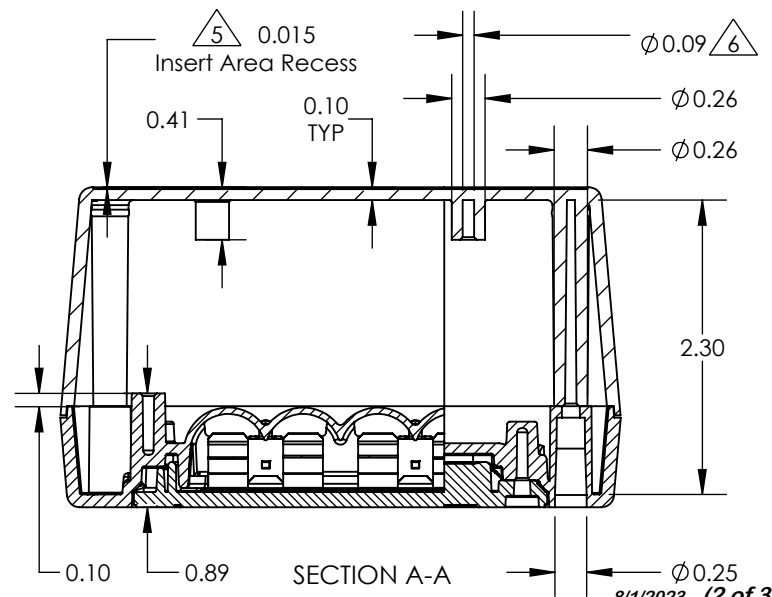
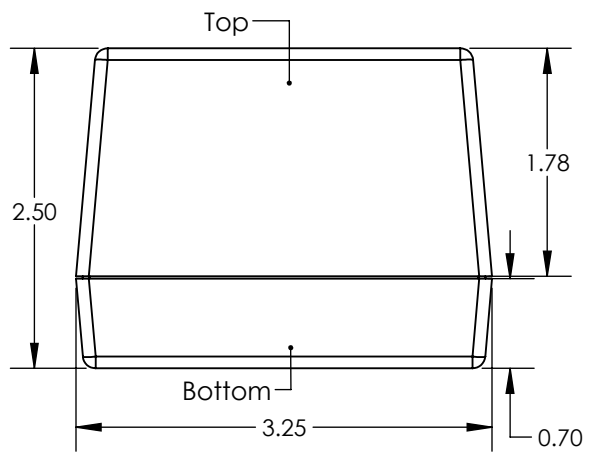
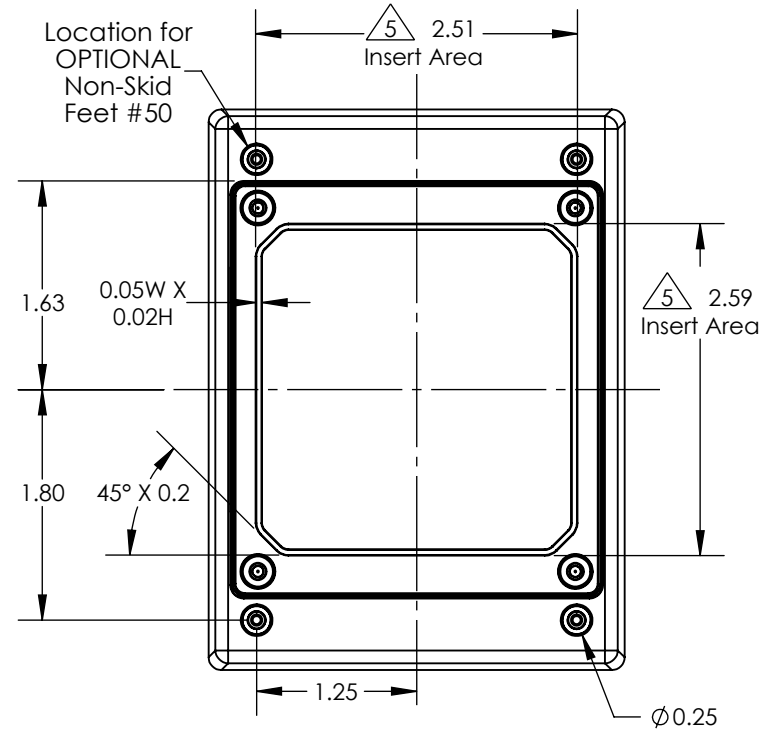
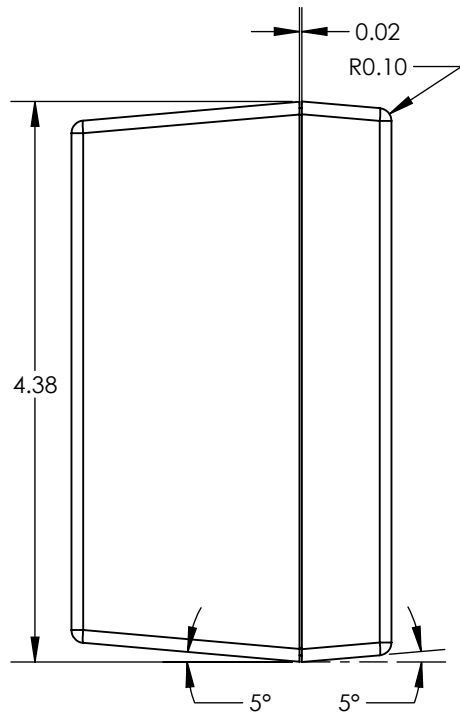
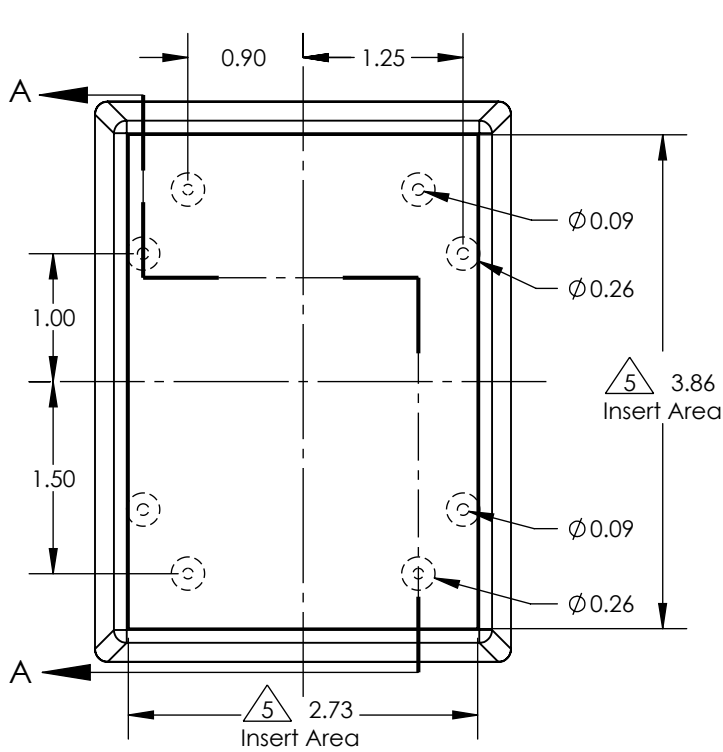
| PART NO. | DESCRIPTION (Included) | ACCESSORIES (Optional) | |
|----------|---------------------------------|------------------------|---------------------|
| 3-3i | Top | PART NO. | DESCRIPTION |
| 134AA | 4AA Bottom | 1030 | Pocket Clip |
| 6013 | #4X3/16" Self-Tapping Screw (8) | 50 | Non-Skid Feet |
| 1026 | Access Door | 55 | Key Holder |
| 73 | Double Battery Contact (3) | 60 | Standoff Hole |
| 72 | Single Battery Contact (2) | 61 | Standoff Post |
| | | SK3 | Waterproof Seal Kit |

Notes: Enclosure weight .32 lb / 144 g

- 1) Enclosure meets or exceeds IP40 and NEMA 1
- 2) Circuit Board drawings see sheet 3.
- 3) All components are RoHS Compliant.
- 4) Material: Top and Bottom ABS.
- 5) Customizable molding areas. 5
- 6) When used with SK3 the enclosure meets or exceeds IP 67 and NEMA 4X, 12 and 13 MIL-STD-810G 506.5 (.02 lb / 11g) 6

SERPAC 133i4AA

ELECTRONIC ENCLOSURES

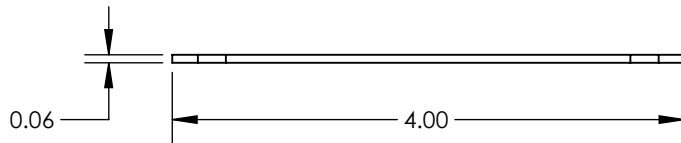
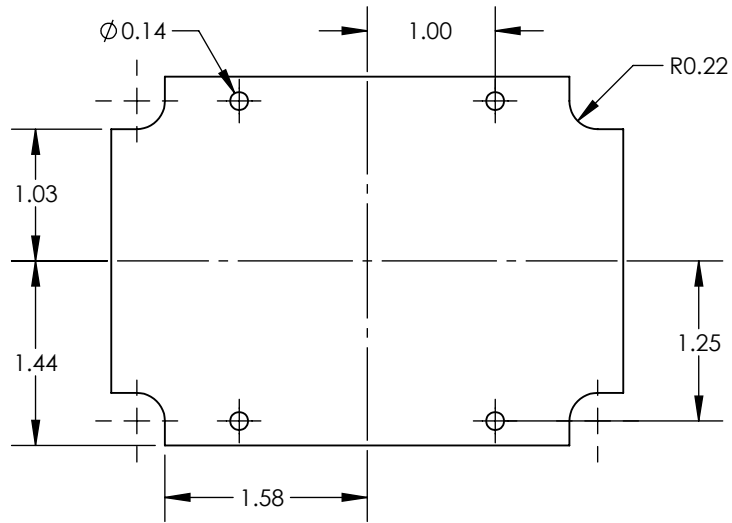


- Notes: Enclosure weight .32 lb / 144 g
- 1) Enclosure meets or exceeds IP40 and NEMA 1
 - 2) Circuit Board drawings see sheet 3.
 - 3) All components are RoHS Compliant.
 - 4) Material: Top and Bottom ABS.
 - 5) Customizable molding areas. $\triangle 5$
 - 6) PCB Bosses accept #4 self tapping screw. $\triangle 6$
 - 7) When used with SK3 the enclosure meets or exceeds IP 67 and NEMA 4X, 12 and 13 MIL-STD-810G 506.5 (.02 lb / 11g)

SERPAC 133i4AA CIRCUIT BOARD

ELECTRONIC ENCLOSURES

Top Option



Bottom Option

