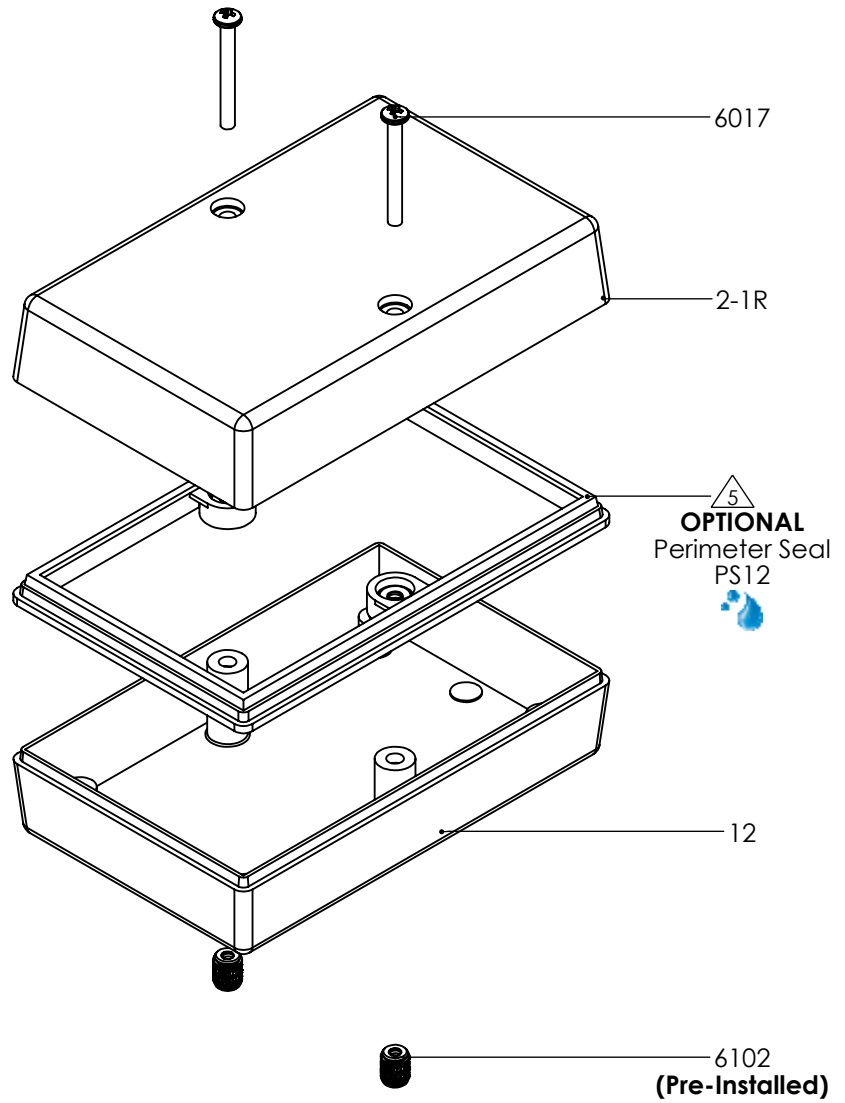
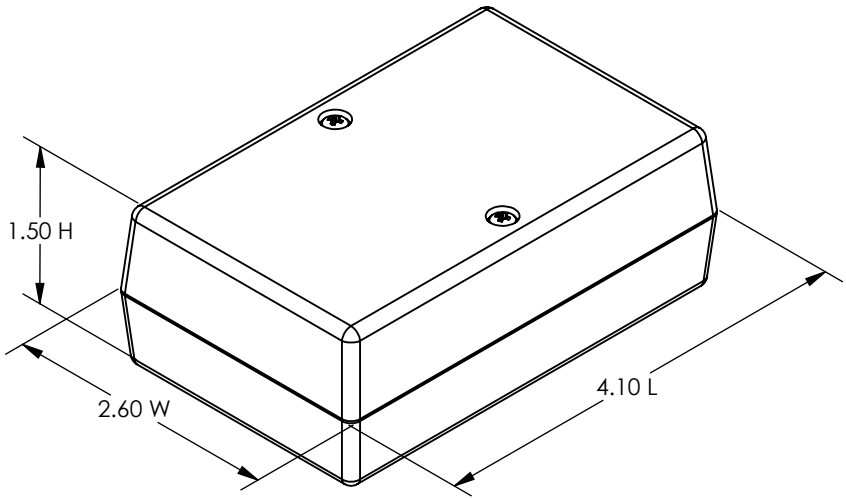


SERPAC 121R

ELECTRONIC ENCLOSURES

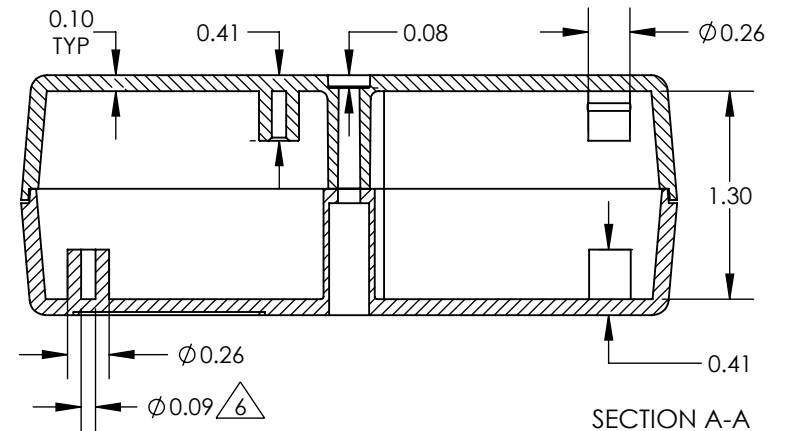
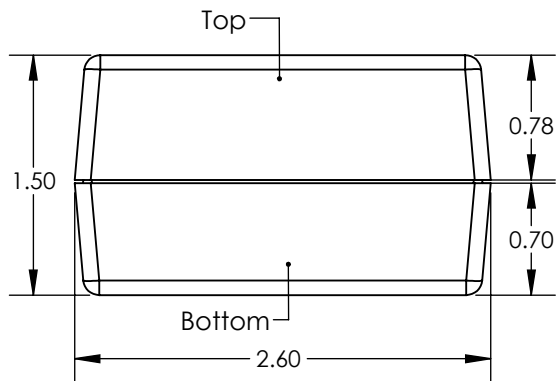
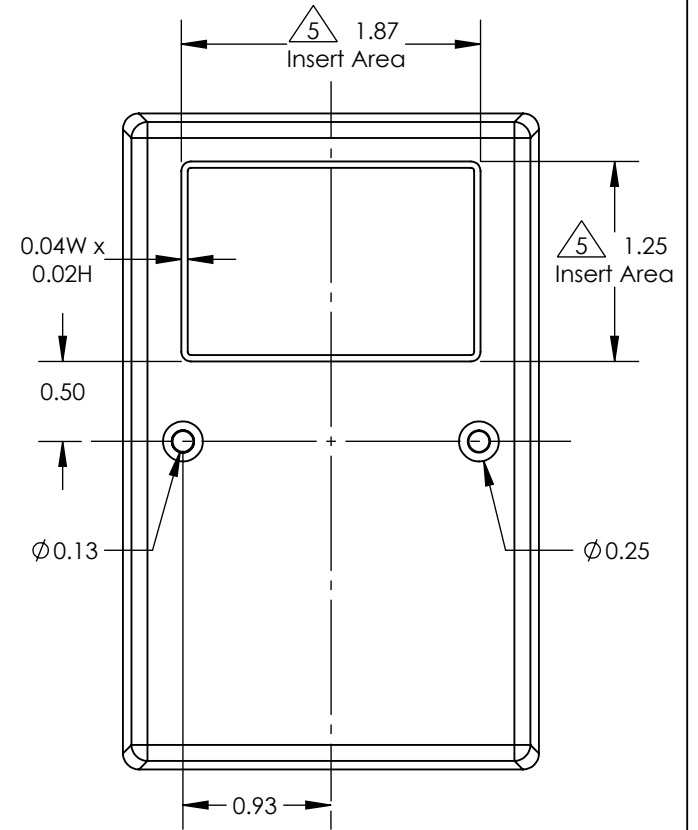
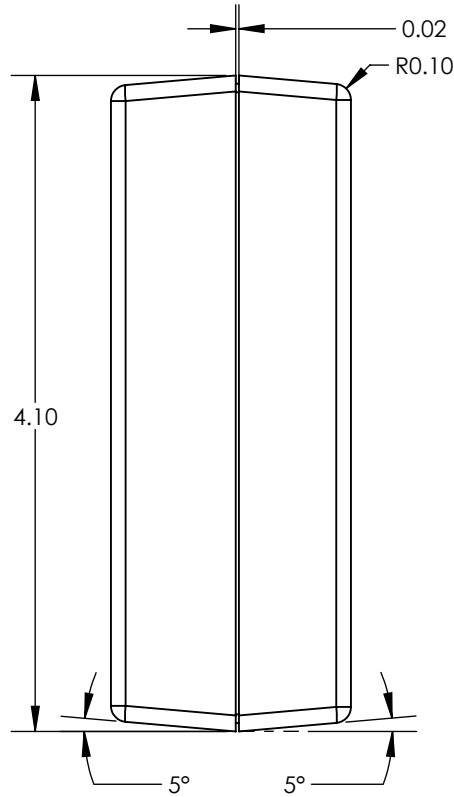
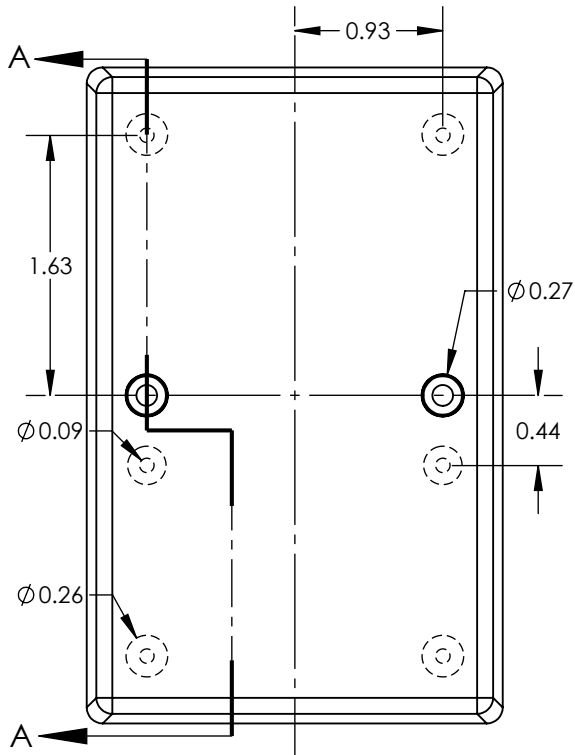


PART NO.	DESCRIPTION (Included)	ACCESSORIES (Optional)	
2-1R	Top	PART NO.	DESCRIPTION
12	Bottom	PS12	Waterproof Perimeter Seal
6017	4-40 x 1" Screw (2)	1030	Pocket Clip
6102	4-40 Threaded Inserts (2)	1040	2AA Battery Holder
		55	Key Holder
		60	Standoff Hole
		61	Standoff Post

Notes: Enclosure weight .16 lb / 74 g
 1) Enclosure meets or exceeds IP40 and NEMA 1
 2) Circuit Board drawings see sheet 3.
 3) All components are RoHS Compliant.
 4) Material: Top and Bottom ABS.
 5) When used with PS12 the enclosure meets or exceeds IP 67 and NEMA 4X, 12 and 13 MIL-STD-810G 506.5 (.02 lb / 7g)

SERPAC 121R

ELECTRONIC ENCLOSURES



Notes: Enclosure weight .16 lb / 74 g

1) Enclosure meets or exceeds IP40 and NEMA 1

2) Circuit Board drawings see sheet 3.

3) All components are RoHS Compliant.

4) Material: Top and Bottom ABS.

5) Customizable molding areas. $\triangle 5$

6) PCB Bosses accept #4 self tapping screw. $\triangle 6$

7) When used with PS12 the enclosure meets or exceeds

IP 67 and NEMA 4X, 12 and 13 MIL-STD-810G 506.5 (.02 lb / 7g)

7/26/2023 (2 of 3)

2009 Wright Ave. La Verne, CA 91750

Ph. (626) 331-0517 Fx. (626) 331-8584 www.serpac.com

SERPAC 121R CIRCUIT BOARD

ELECTRONIC ENCLOSURES

Top & Bottom Option

