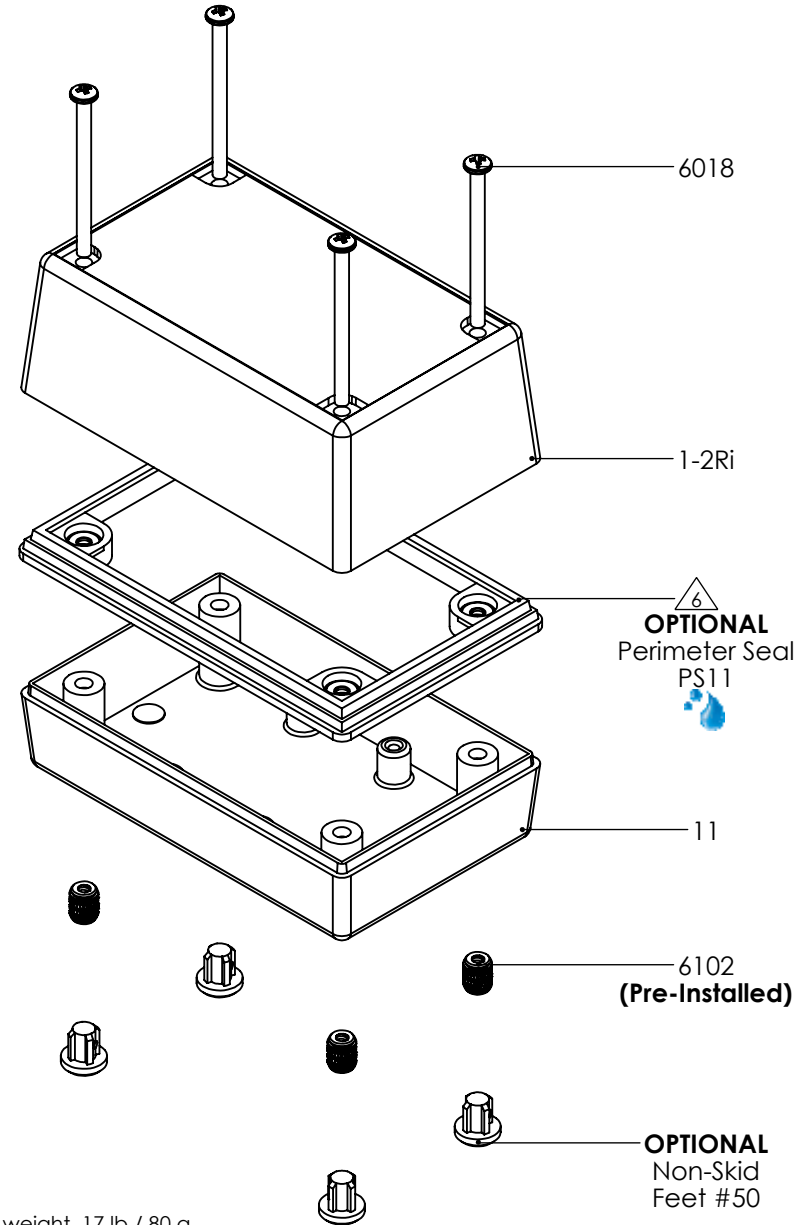
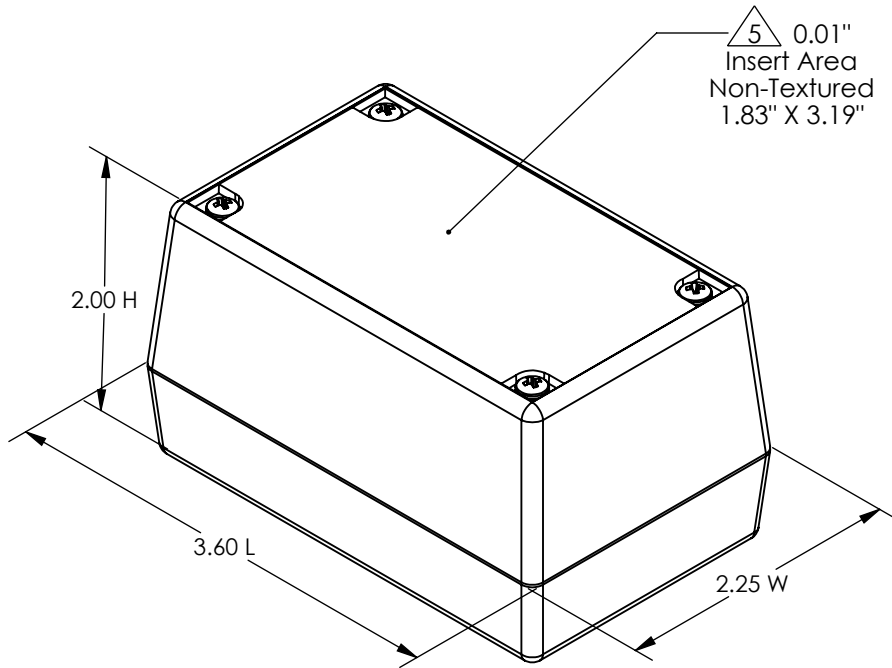


SERPAC 112Ri

ELECTRONIC ENCLOSURES



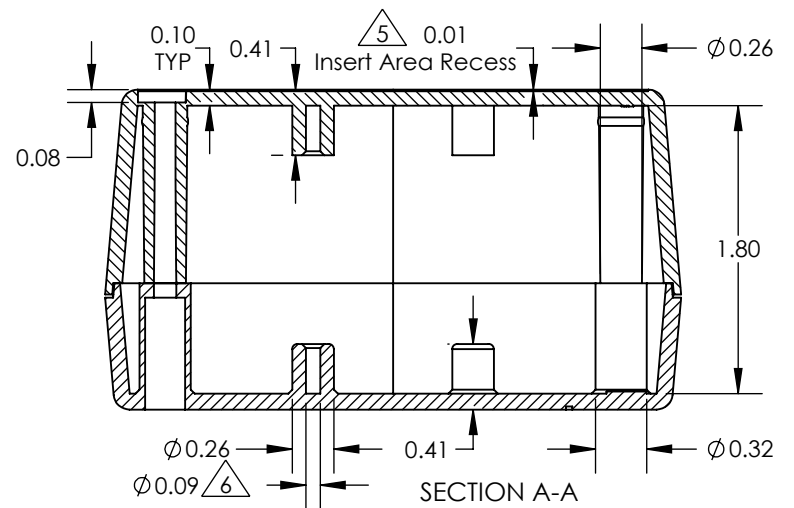
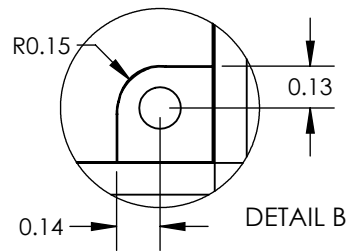
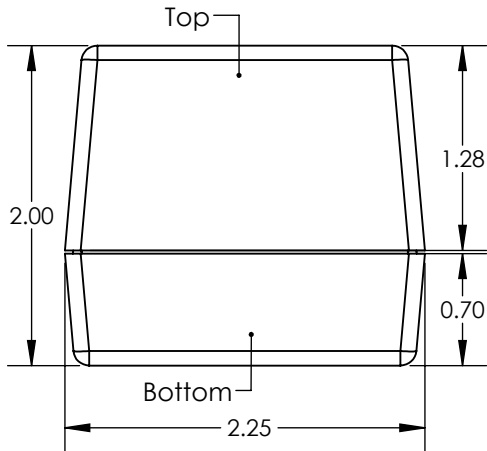
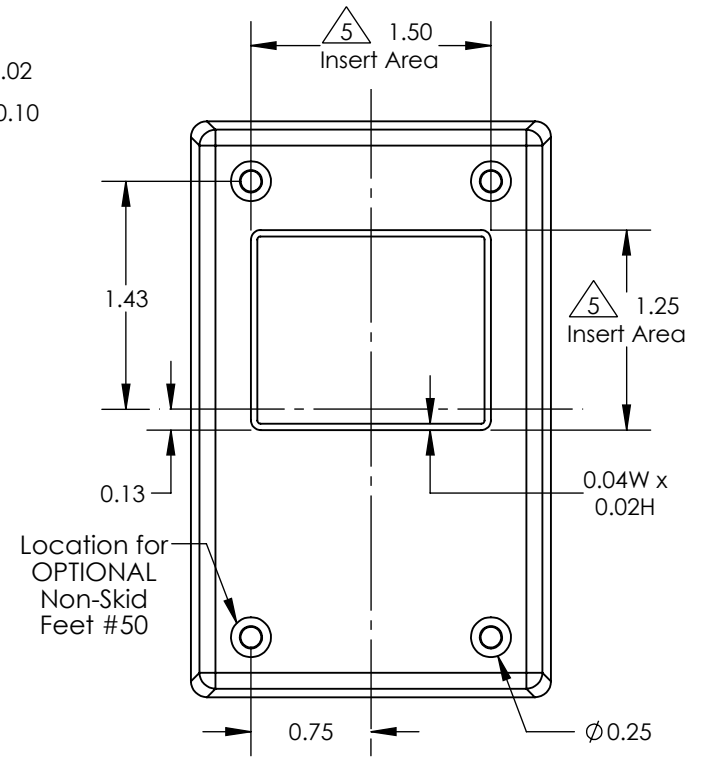
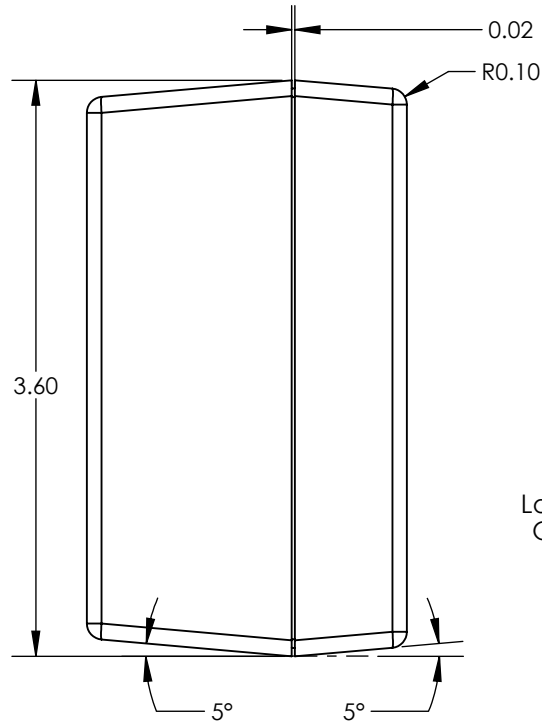
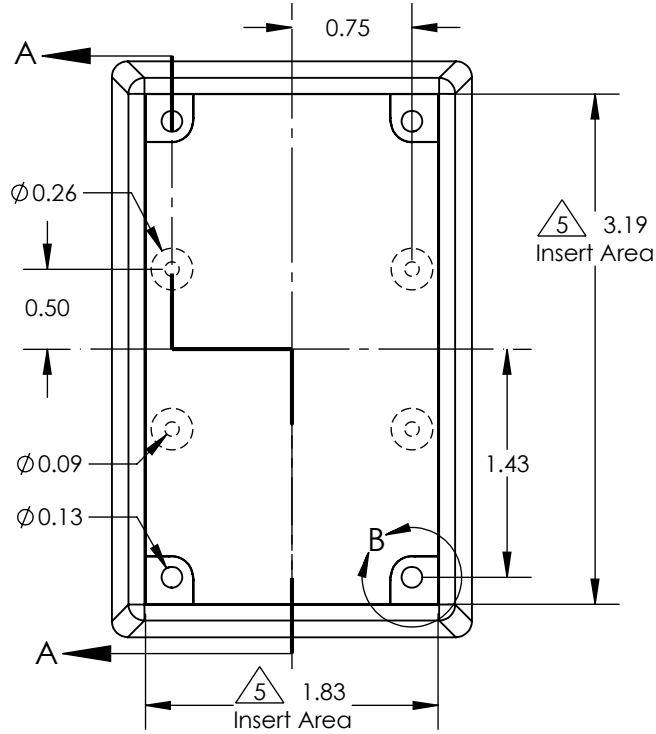
PART NO.	DESCRIPTION (Included)	ACCESSORIES (Optional)	
1-2Ri	Top	PART NO.	DESCRIPTION
11	Bottom	50	Non-skid Feet
6018	4-40 x 1 1/2" Screw (4)	PS11	Waterproof Perimeter Seal
6102	4-40 Threaded Inserts (4)	1030	Pocket Clip
		1040	2AA Battery Holder
		55	Key Holder
		60	Standoff Hole
		61	Standoff Post

Notes: Enclosure weight .17 lb / 80 g

- 1) Enclosure meets or exceeds IP40 and NEMA 1
- 2) Circuit Board drawings see sheet 3.
- 3) All components are RoHS Compliant.
- 4) Material: Top and Bottom ABS.
- 5) Customizable molding areas.
- 6) When used with PS11 the enclosure meets or exceeds IP 67 and NEMA 4X, 12 and 13 MIL-STD-810G 506.5 (.01 lb / 7g)

SERPAC 112Ri

ELECTRONIC ENCLOSURES



- Notes:
- Enclosure weight .17 lb / 80 g
 - 1) Enclosure meets or exceeds IP40 and NEMA 1
 - 2) Circuit Board drawings see sheet 3.
 - 3) All components are RoHS Compliant.
 - 4) Material: Top and Bottom ABS.
 - 5) Customizable molding areas. $\triangle 5$
 - 6) PCB Bosses accept #4 self tapping screw. $\triangle 6$
 - 7) When used with PS11 the enclosure meets or exceeds IP 67 and NEMA 4X, 12 and 13 MIL-STD-810G 506.5 (.01 lb / 7g)

SERPAC 112Ri CIRCUIT BOARD

ELECTRONIC ENCLOSURES

Top & Bottom Option

