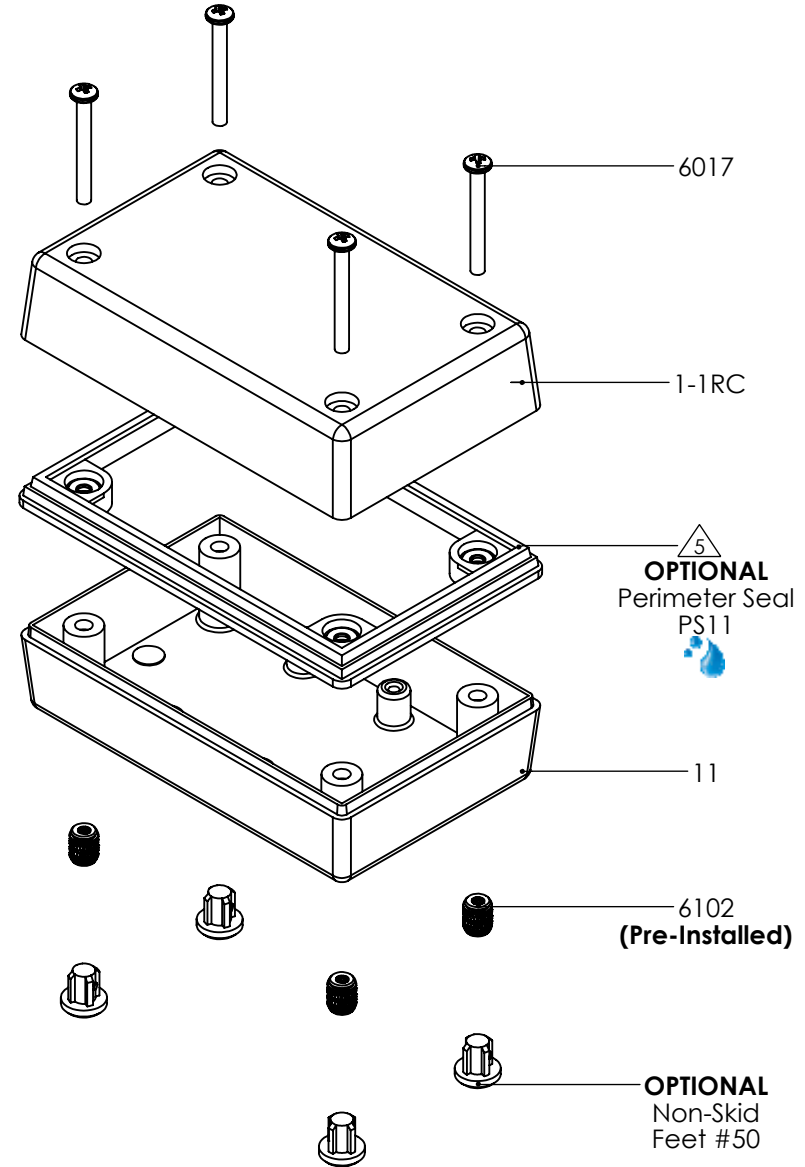
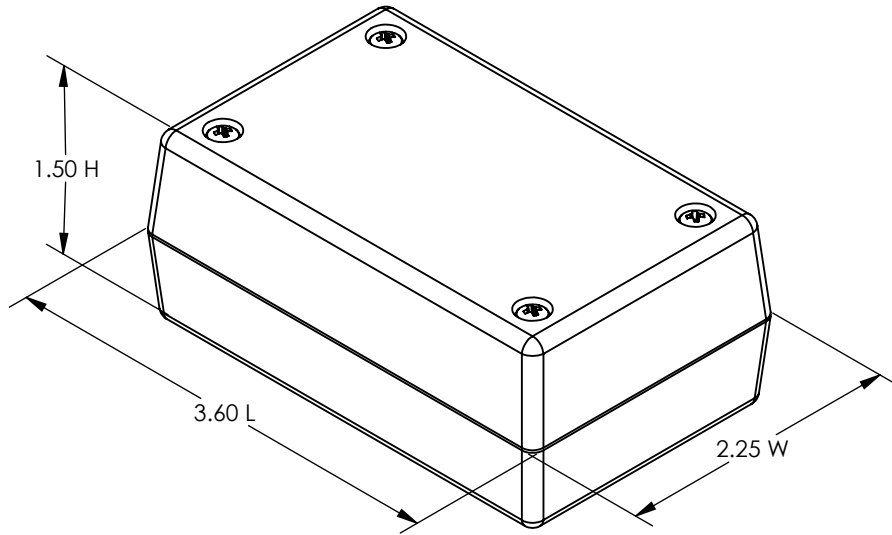


# SERPAC 111RC

ELECTRONIC ENCLOSURES

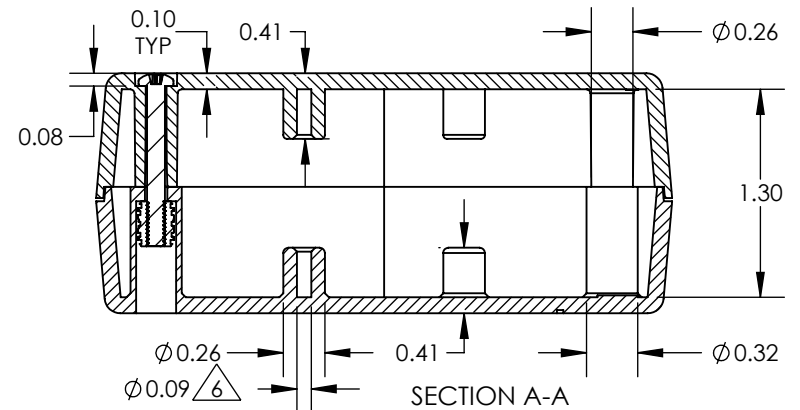
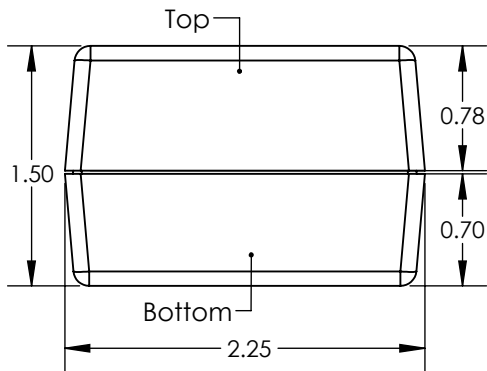
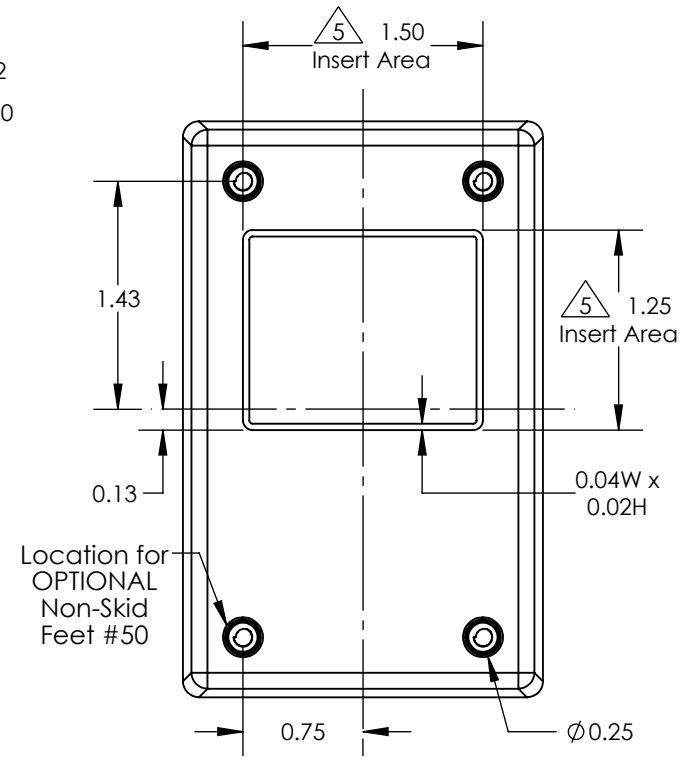
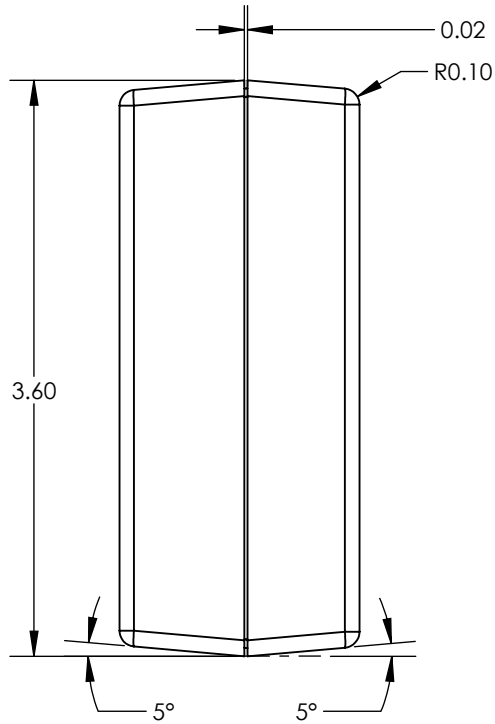
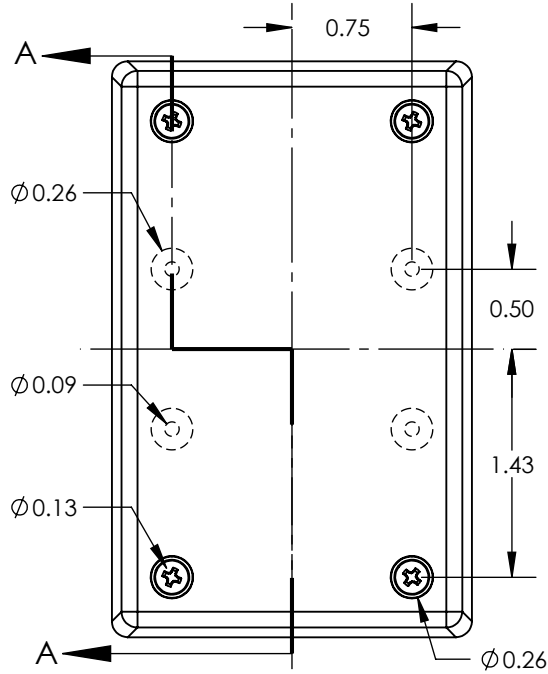


PART NO.	DESCRIPTION (Included)	ACCESSORIES (Optional)	
1-1RC	Top	PART NO.	DESCRIPTION
11	Bottom	50	Non-skid Feet
6017	4-40 x 1" Screw (4)	PS11	Waterproof Perimeter Seal
6102	4-40 Threaded Inserts (4)	1030	Pocket Clip
		1040	2AA Battery Holder
		55	Key Holder
		60	Standoff Hole
		61	Standoff Post

Notes: Enclosure weight .14 lb / 65 g  
 1) Enclosure meets or exceeds IP40 and NEMA 1  
 2) Circuit Board drawings see sheet 3.  
 3) All components are RoHS Compliant.  
 4) Material: Top PC and Bottom ABS.  
 5) When used with PS11 the enclosure meets or exceeds IP 67 and NEMA 4X, 12 and 13 MIL-STD-810G 506.5 (.01 lb / 7g)

# SERPAC 111RC

ELECTRONIC ENCLOSURES



- Notes:
- 1) Enclosure weight .14 lb / 65 g
  - 2) Enclosure meets or exceeds IP40 and NEMA 1
  - 3) Circuit Board drawings see sheet 3.
  - 4) All components are RoHS Compliant.
  - 5) Material: Top PC and Bottom ABS.
  - 6) Customizable molding areas.  $\triangle 5$
  - 7) PCB Bosses accept #4 self tapping screw.  $\triangle 6$
  - 8) When used with PS11 the enclosure meets or exceeds IP 67 and NEMA 4X, 12 and 13 MIL-STD-810G 506.5 (.01 lb / 7g)

# SERPAC 111RC CIRCUIT BOARD

ELECTRONIC ENCLOSURES

## Top & Bottom Option

