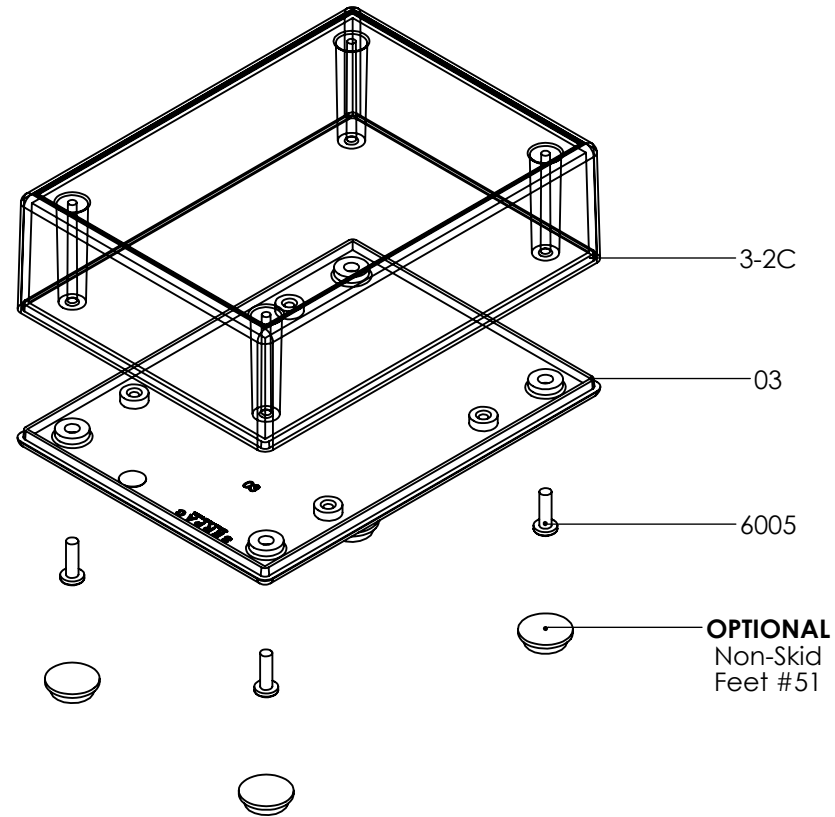
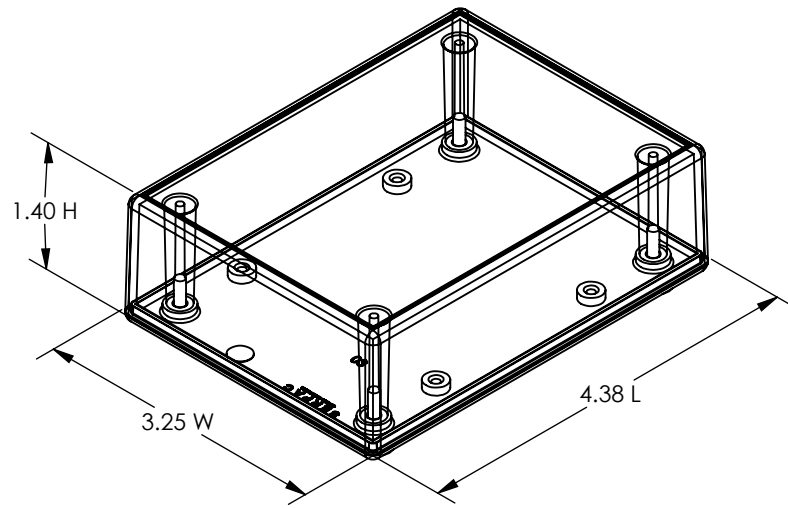


SERPAC 032C

ELECTRONIC ENCLOSURES

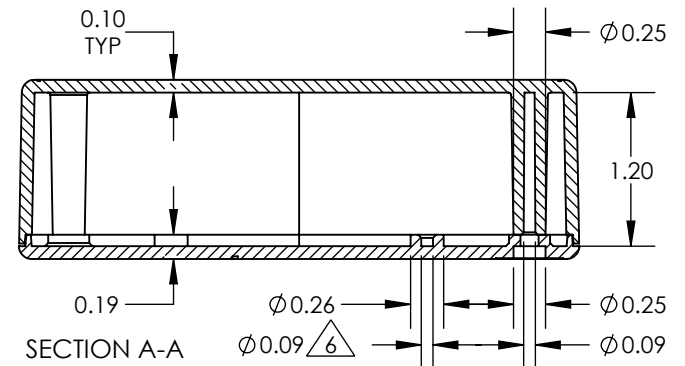
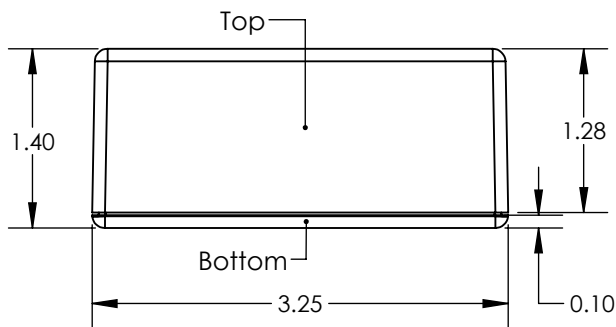
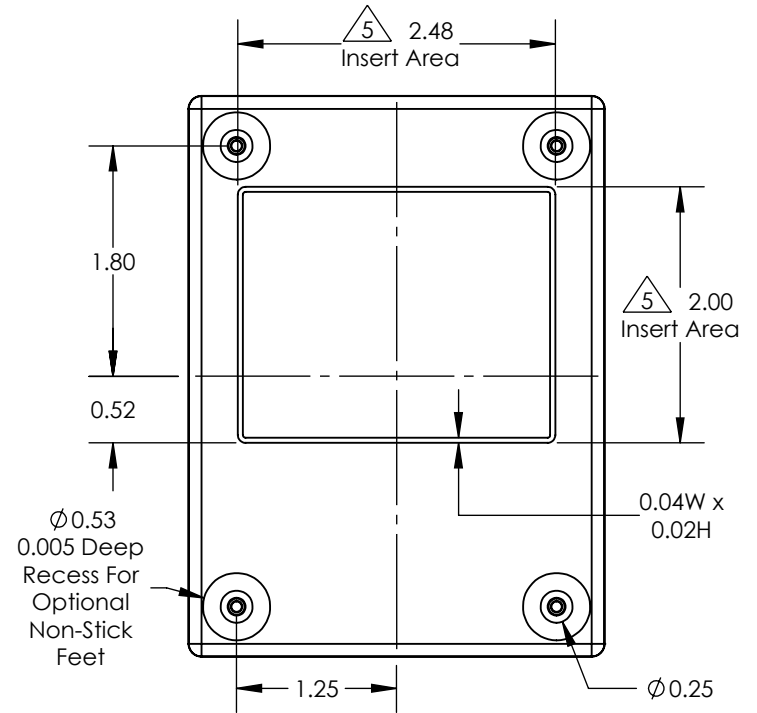
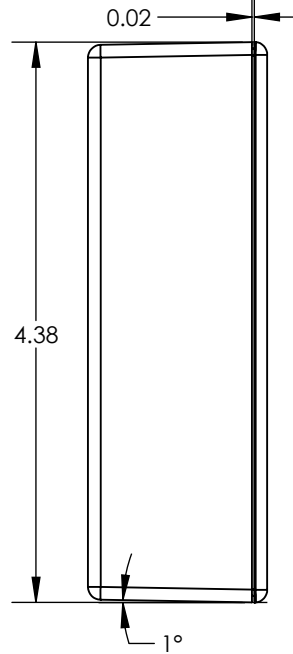
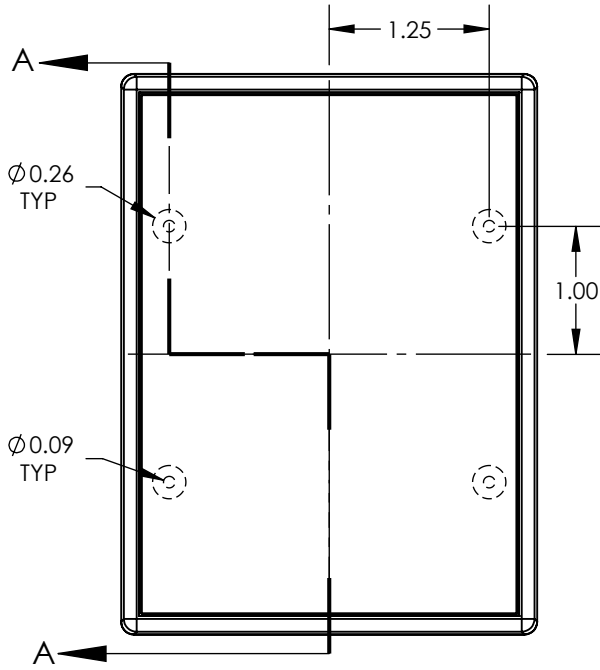


PART NO.	DESCRIPTION (Included)	ACCESSORIES (Optional)	
		PART NO.	DESCRIPTION
3-2C	Clear Top	51	Non-skid Feet
03	Bottom	1030	Pocket Clip
6005	#4X3/8" Self-Tapping Screw (4)	1040	2AA Battery Holder
		55	Key Holder
		60	Standoff Hole
		61	Standoff Post

Notes: Enclosure weight .20 lb / 91 g
 1) Enclosure meets or exceeds IP40 and NEMA 1
 2) Circuit Board drawings see sheet 3.
 3) All components are RoHS Compliant.
 4) Material: Top and Bottom ABS.

SERPAC 032C

ELECTRONIC ENCLOSURES



- Notes:
- 1) Enclosure weight .20 lb / 91 g
 - 2) Enclosure meets or exceeds IP40 and NEMA 1
 - 3) Circuit Board drawings see sheet 3.
 - 4) All components are RoHS Compliant.
 - 5) Material: Top and Bottom ABS.
 - 6) Customizable molding areas. $\triangle 5$
 - 7) PCB Bosses accept #4 self tapping screw. $\triangle 6$

SERPAC 032C CIRCUIT BOARD

ELECTRONIC ENCLOSURES

Bottom Option

