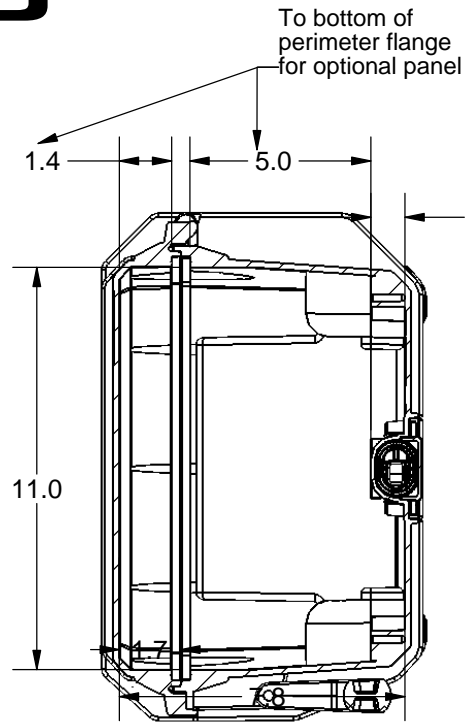
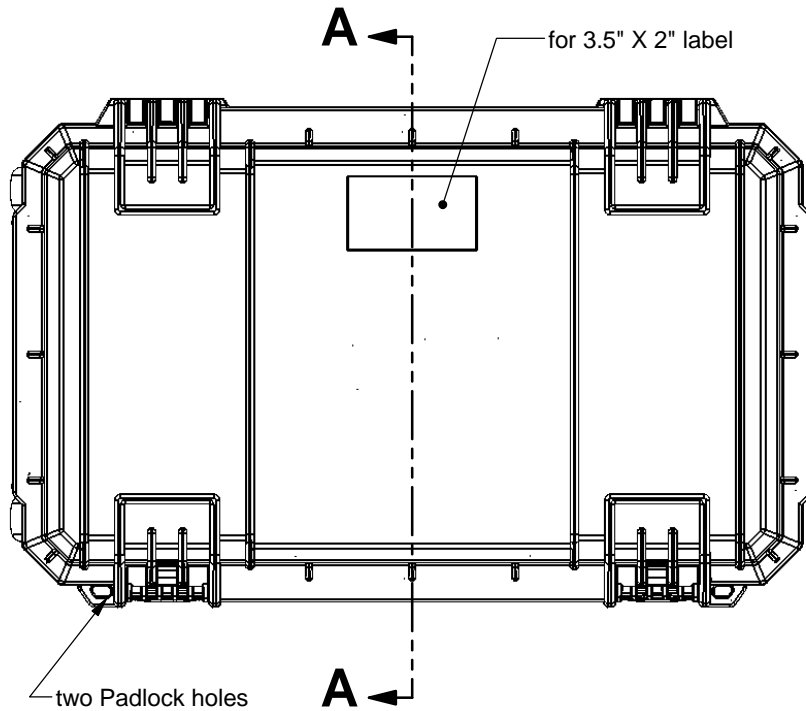
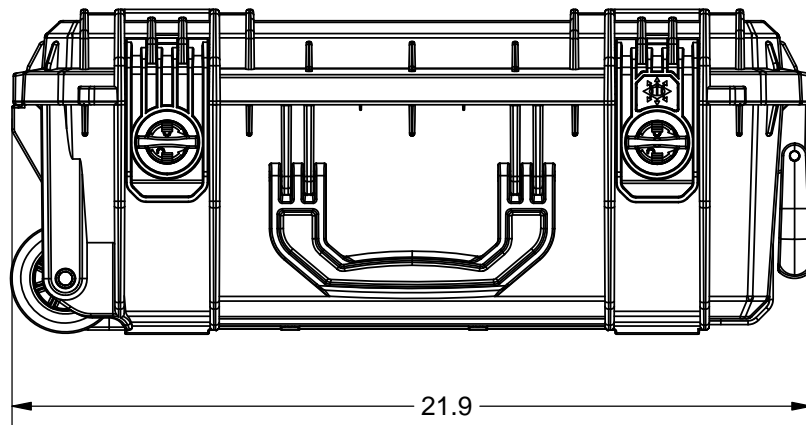
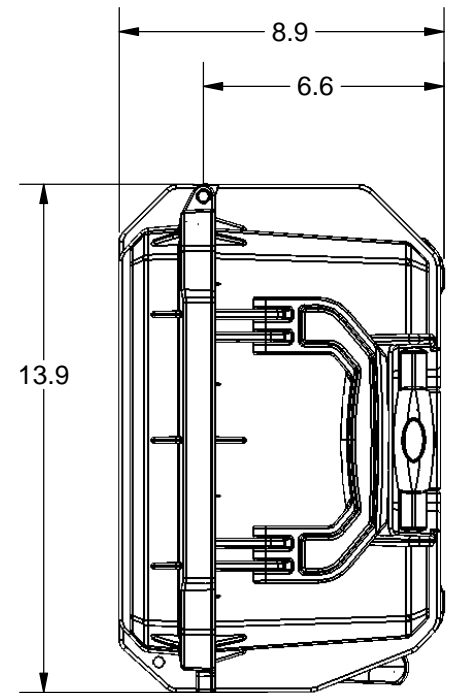


SERPAC SE830

Electronic Enclosures

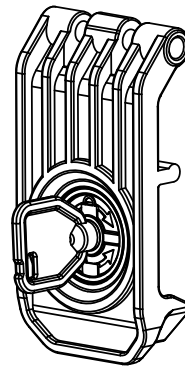


SECTION A-A



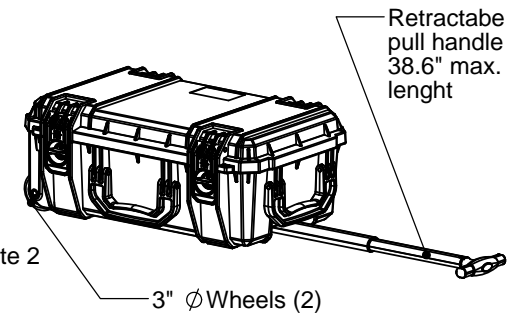
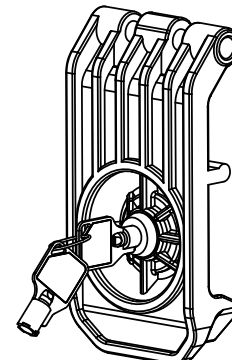
SE830PL

Optional latch with plastic lock. See note 2



SE830ML

Optional latch with metal lock. See note 2



NOTES:

- 1) Max. usable inside dimensions are: 19.5" X 11.00" X 7.80" (6.90" to top of handle)
- 2) With Metal Lock Latches p/n SE830ML and Plastic Lock Latches p/n SE830PL are optional.