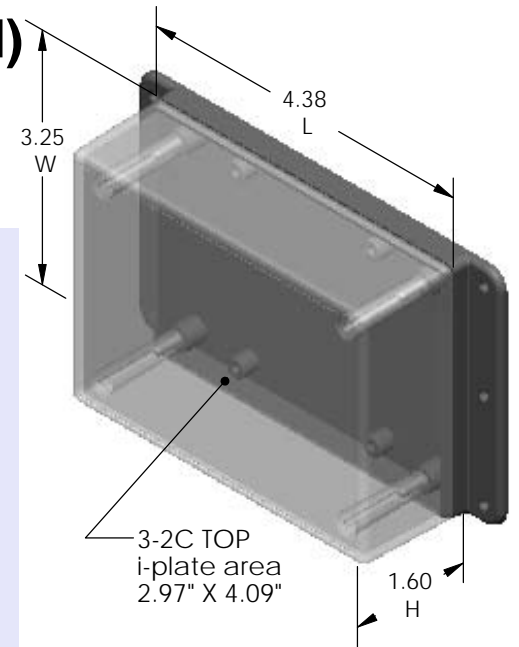
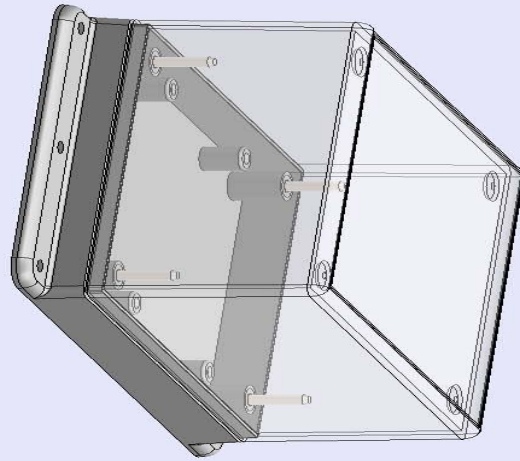


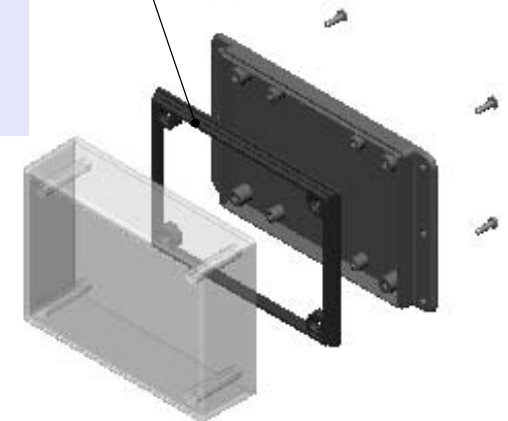
SERPAC WM032C (3D exploded)

Electronic Enclosures

-Click on image to show toolbar. Use  to Play/Pause Animation*.
 -Left click and drag on image to move 3D model.



Water proofing gasket
 PS13 optional.
 see note #2



- a) Zoom in & out with center wheel.
 - b) Pause at any moment to view and or print views.
 - c) Change the views to ortho and section views if needed from the Views pull down menu.
 - d) Explore options included in the tool bar like: Views, Transparency of model, Lighting type, etc.
- *(To have full interaction with the animated PDF files, please use free Adobe Reader 9 or newer version.)*

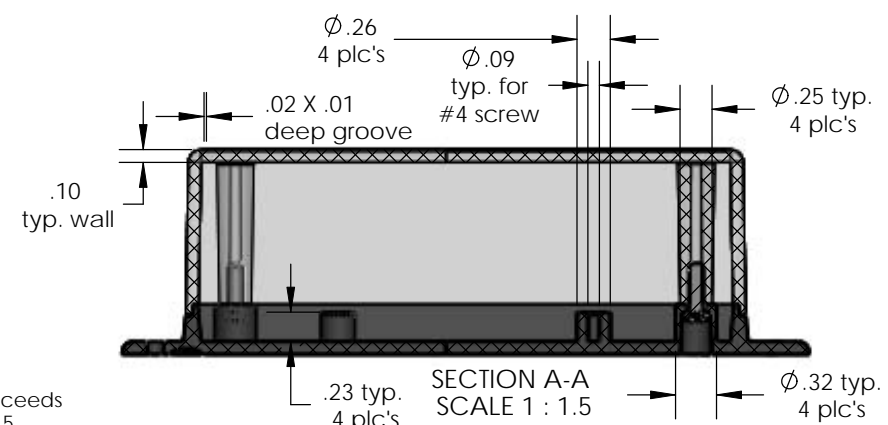
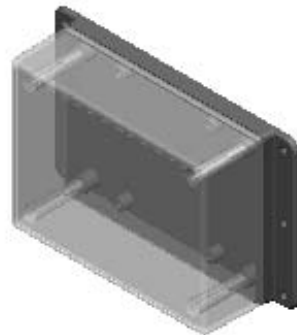
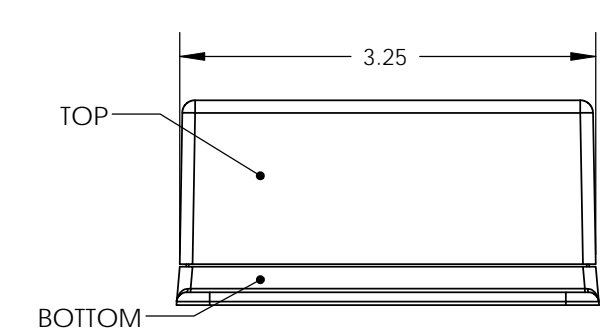
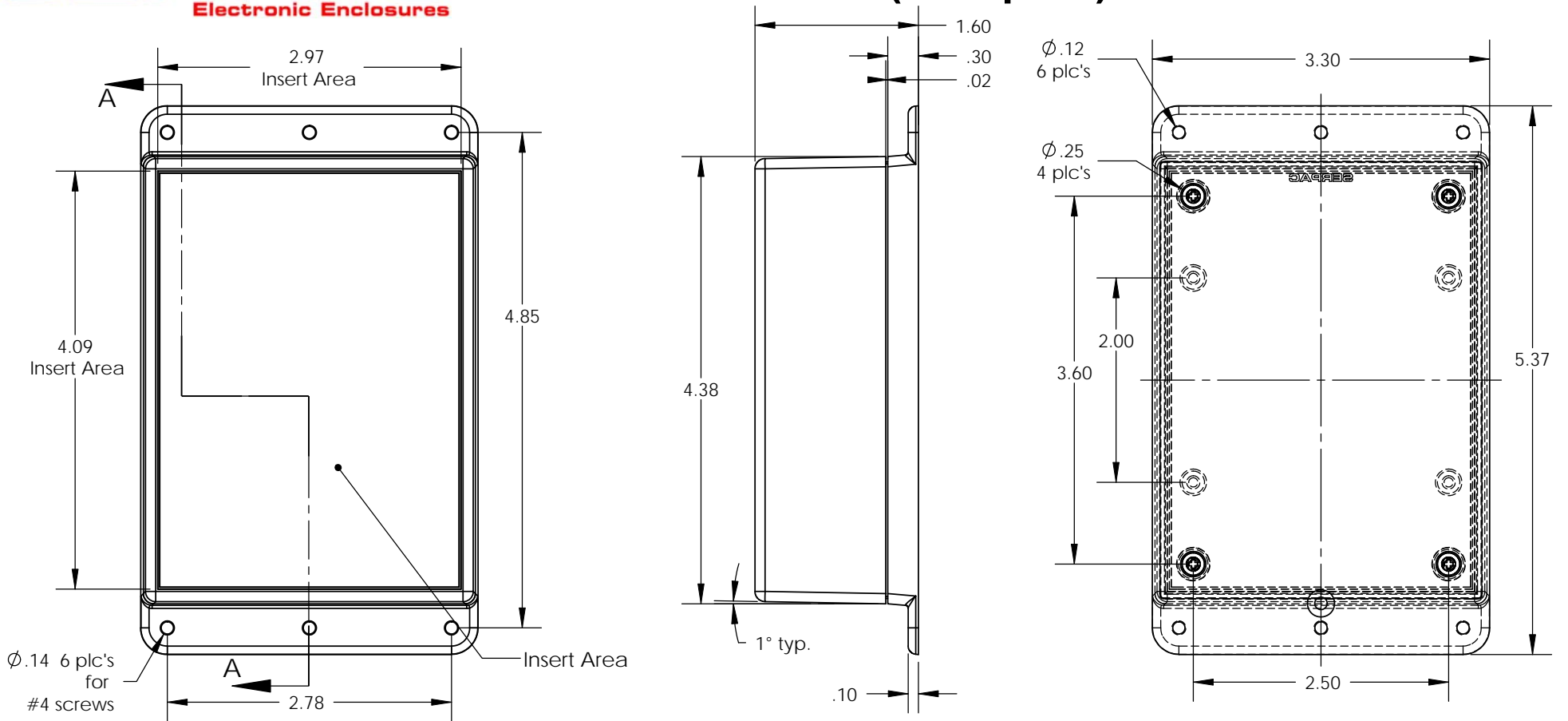
PART NO.	DESCRIPTION (Included)	ACCESSORIES (Optional)	
3-2C	TOP	PART NO.	DESCRIPTION
WM03	BOTTOM	50	Non-skid Feet
6005	#4 self tapping screw (4)	PS13	Perimeter Seal
		330	Prototype grid board (Horiz)
		430	Prototype clad board (Horiz)

Notes: Enclosure weight .23 lbs / 104 gm
 1) Enclosure meets or exceeds IP40 and NEMA 1
 2) When used with PS13 the enclosure meets or exceeds IP 67 and NEMA 4X, 12 and 13 MIL-STD-810G 506.5
 3) Circuit Board drawings can be download at:
<http://www.serpac.com/Accessories/CircuitBoard/drawings/330-430-cbg.pdf>
 4) All components are RoHS Compliant.

ALL DIMENSIONS ARE ± .010" 5/20/10 (1 of 2)
 2009 Wright Ave. La Verne, CA 91750
 Ph. (626) 331-0517 Fx. (626) 331-8584 serpac.com

SERPAC WM032C (user print)

Electronic Enclosures



PART NO.	DESCRIPTION (Included)	ACCESSORIES (Optional) More available; see website	
3-2C	TOP	PART NO.	DESCRIPTION
WM03	BOTTOM	50	Non-skid Feet
6005	#4 self tapping screw (4)	PS13	Perimeter Seal
		330	Prototype grid board
		430	Prototype clad board

Notes: Enclosure weight .23lbs / 104 gm
 1) Enclosure meets or exceeds IP40 and NEMA 1
 2) When used with PS13 the enclosure meets or exceeds IP 67 and NEMA 4X, 12 and 13 MIL-STD-810G 506.5
 3) Circuit Board drawings can be download at:
<http://www.serpac.com/Accessories/CircuitBoard/drawings/330-430-cbg.pdf>
 4) All components are RoHS Compliant.

ALL DIMENSIONS ARE ± .010" 5/20/10 (2 of 2)
 2009 Wright Ave. La Verne, CA 91750
 Ph. (626) 331-0517 Fx. (626) 331-8584 www.serpac.com