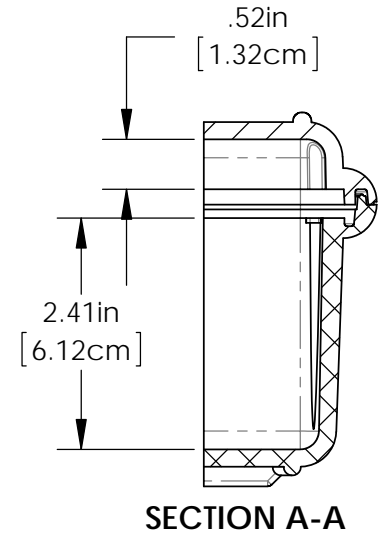
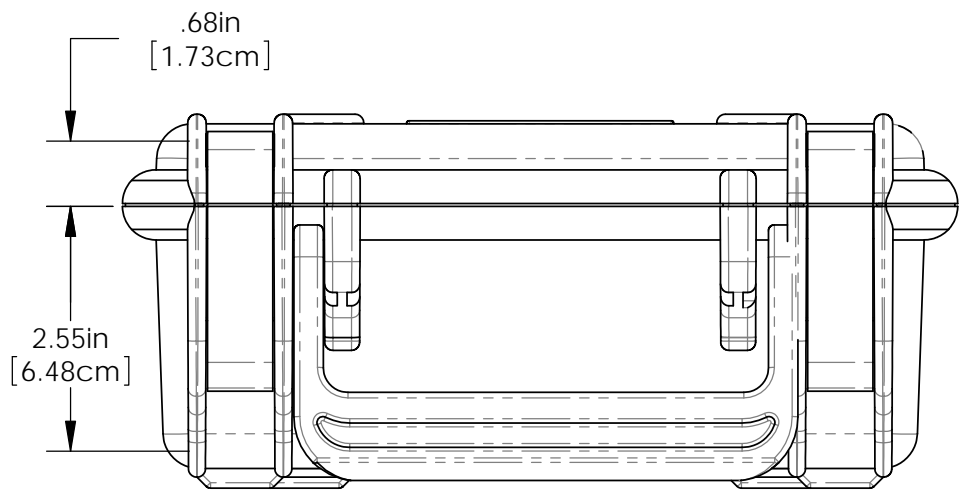
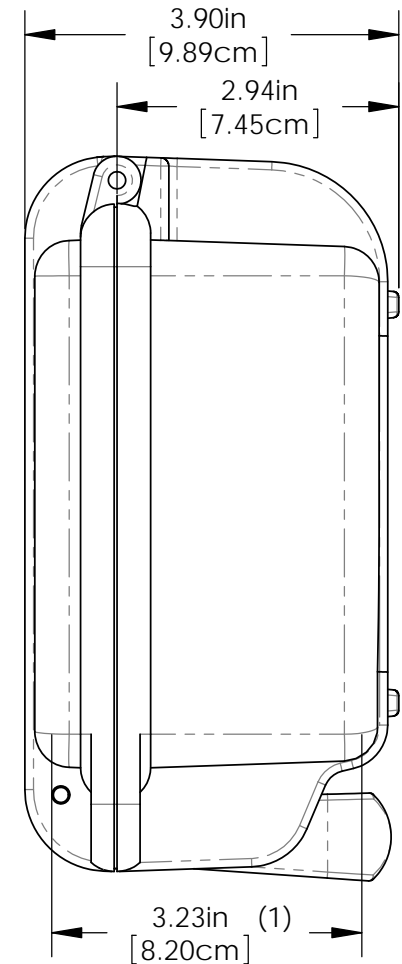
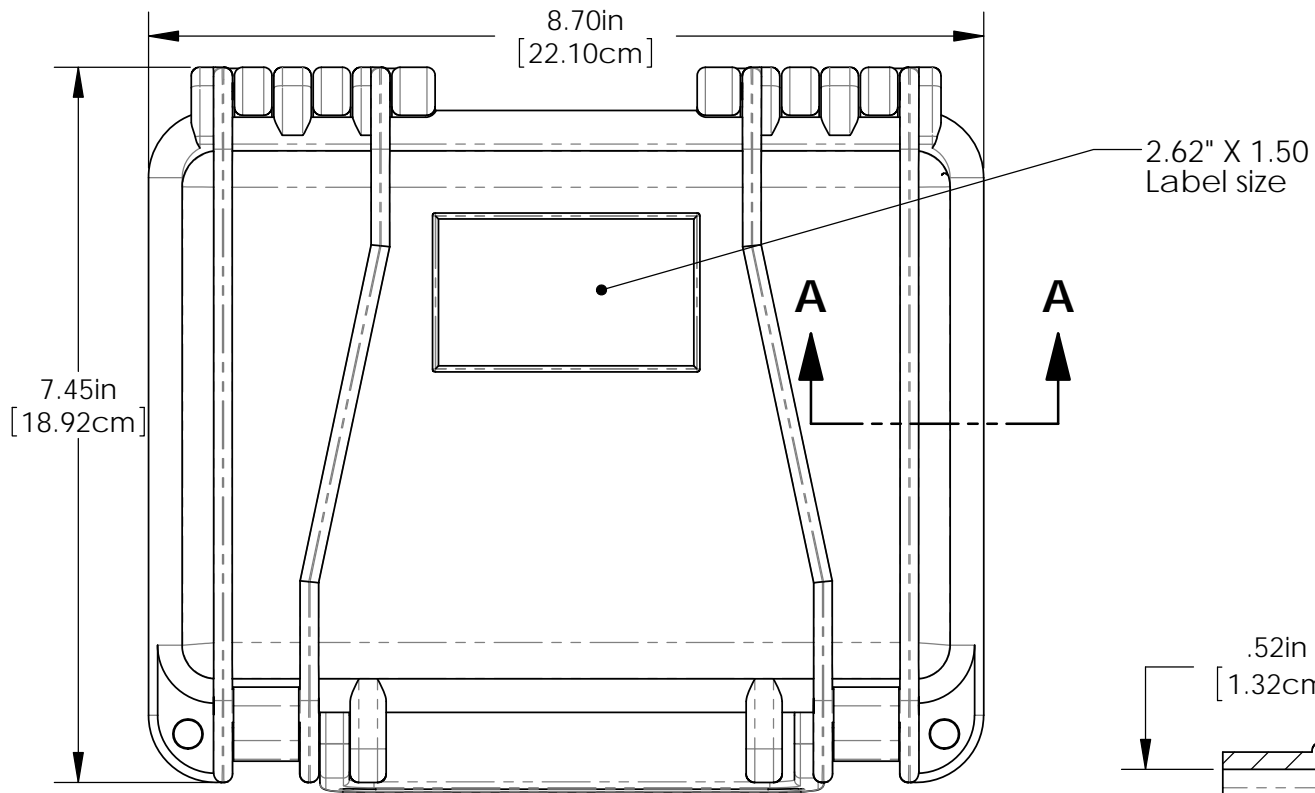


# SERPAC SE 120

Electronic Enclosures



- NOTES:**
- 1) Max. usable inside dimensions are: 7.6" X 5.1" X 3.2"
  - 2) Metal Locking Latches p/n MLL and Plastic Metal Latches p/n PLL are optional.
  - 3) Internal dimensions to bottom of panel flange